

HP-UX Workstation HCL

(Hardware Compatibility List)



PA-RISC



Edition: 14

Released: July 23, 1998

Generated: Thursday, July 23, 1998

Rendered in USA

Notices

The information contained in this document is subject to change without notice. *Hewlett-Packard makes no warranty of any kind with regard to this manual, including, but not limited to, the implied warranties of merchantability and fitness for a particular purpose.*

Hewlett-Packard shall not be liable for errors contained herein or direct, indirect, special, incidental or consequential damages in connection with the furnishing, performance, or use of this material.

This manual is a complimentary document and is not a required component of any product sold by Hewlett-Packard. It is not covered by warranty.

© Copyright 1991, 1992, 1993, 1995, 1996, 1997 Hewlett-Packard Company. All rights reserved.

This document contains information which is protected by copyright. All rights reserved. Adaptation, or translation without prior written permission is prohibited, except as allowed under copyright laws.

Reproduction is permitted only if the document is reproduced in its entirety, including this copyright statement.

Restricted Rights Legend.

Use, duplication or disclosure by the U.S. Government Department of Defense is subject to restrictions as set forth in paragraph (b)(3)(ii) of the Rights in Technical Data and Software clause in FAR 52.227-7013.

Printing History

This document is cumulative. Each new edition supercedes and replaces all prior revisions for PA-RISC workstations. It is not necessary to archive old editions.

New editions of this manual will incorporate all material updated since the previous edition. The manual data and part number indicate its current edition. The printing data changes when a new edition is printed. (Minor

corrections and updates which are incorporated at reprint do not cause the date to change.) The manual part number changes when extensive technical changes are incorporated.

Printing/Rendering History

Edition Date	Number	Comments
19 Jul 1991	Edition 1	First Edition (HP-TAG)
21 Feb 1992	Edition 2	Models 705 and 710, HP-UX 8.05/8.07
10 Aug 1992	Edition 3	Upgrades
15 Jan 1993	Edition 4	Models 715, 725, 735, 745i and 747i, HP-UX 9.0
01 Jun 1993	Edition 5	HP-UX 9.03, Document converted to Interleaf
16 Jun 1994	Edition 6	Models 712, 715-64/80/100, 743i, 748i and 725/100, HP-UX 9.05
01 Jun 1995	Edition 7	Converted back into HP-TAG and revised to HP-UX 10.x. Added: 712/100, J200, J210
01 May 1996	Edition 8	Converted to FrameMaker (to support .PDF). New hardware includes C-Class and B-Class.
01 Mar 1997	Edition 9	Added new B-Class, C-Class, J-Class models, K-Class Technical Servers, EPS20, 748i/132L and HP-UX 10.20. All "Series 700" references changed to "PA-RISC Workstation".
14 Apr 1997	Edition 10	Added Topical, Product Number and Model Number/Name indicies.
18 Jul 1997	Edition 11	Added Appendix A (Product Illustrations)
01 Sep 1997	Edition 12	Added Appendix B (I/O card illus.), new processor info, Models B132L+, B180L, C200, C240se, 744/165L, 748/165L
01 Oct 1997	Edition 13	Renamed to "HCL". Began adding HP-UX 11.0 support info (not yet complete)
23 Jul 1998	Edition 14	Converted to Type1 fonts. Re-sized to 8.27-inch wide (for European A4 compatibility). Added J2240, more 11.0 information. Changed email contact.

Contents

Notices	2
Printing History	2
Introduction	4
System Support	4
Vendor Support	4
HP Entity Support	5
Document Links	5
System Processors	6
Processor Technologies	6
System Processor Support by Model Number	6
System Processor Support by Model Number	6
Processor Upgrade Support by Product Number	15
System Processor Option Support	18
System Processor RAM Support	21
HP PA-RISC Workstations RAM Designs	21
RAM Support by RAM Product Number	22
Mass Storage Devices	25
Internal Hard Disks	25
External Hard Disks	30
Removable Media Magnetic Disks	40
Floppy File Systems	40
CD-ROM, CDR/CD-WORM and CD-RW Drives	42
CD File Systems	42
Magneto-Optic Drives	47
Magnetic Tape Drives (Internal and External)	52
Graphics Video	63
Display Monitors	68
Terminals (Serial and X-Windows System)	72
Human Interface Devices	75
Human Interface Ports by SPU Model	75
Audio Input/Output Ports	77
Human Interface Device Support	79
Text Printers	85
Graphics Devices	101
Networking Devices	117
Interfaces	124
PA-RISC Workstation Slots	124
Workstation SCSI	127
I/O Slots/Cages/Expanders	128
Processor-Specific Cards	129
EISA and Selected ISA Cards	131
GSC, GSC-Mezzanine and HSC Cards	137
HP-PB (HP-NIO) Cards	139
PCI Cards	141
SGC (and DIO-II) Cards	144
Selected VME and VXI Cards	145
Miscellaneous Cards and I/O Devices	146
Miscellaneous Devices	147
I/O Converters, Adaptors, Extenders and Switches	147
Racks and Cabinets	148
Power Management	148

Appendices	
Glossary	151
Appendix A: Product Illustrations	A-1
Appendix B: I/O Card Illustrations	B-1
Model Number/Name Index	W-1
Product Number Index	X-1
Topical Index	Y-1

Introduction

This document summarizes the compatibility of component products available for Hewlett-Packard HP 9000 PA-RISC Workstations, including:

- HP 9000 Series 700, including VME and VXI models
 - B-Class
 - C-Class
 - EPS (K-Class) Clusters
 - J-Class
 - K-Class Cluster Node
 - K-Class Workstations¹
 - MPS Clusters
 - TelePACE
 - VISUALIZE Workstations
- ...and *excluding*:
- HP Kayak X-series
 - HP Vectra X-series
 - HP 9000 Series 200

- HP 9000 Series 300
- HP 9000 Series 400
- HP 9000 Series 500
- HP 9000 Series 700rt
- HP 9000 Series 800²
- HP 9000 Series 900.

For detailed support information, consult **Installing Peripherals** (HP part no. B2355-90006).

To be supported, a device must be qualified on the computer model being considered and have software support on the operating system being considered. This means the device must appear in the appropriate column under Hardware Support and HP-UX Support. For software support, the tables show the earliest system version available for HP 9000 Workstations.

In general, later versions of the operating system also support the device, until that device exits its own support life. When devices exit their support life, the matrix will document them as “unsupported”, but will note their functional status.

The status of configurations “planned” and “under investigation” may change within 30 days. Contact your HP Sales Representative for current information.

This document provide little cabling information and no detailed configuration information, such as switch settings and driver setup.

System Support

Unless otherwise stated, supported devices are considered supported by the Workstation System Division (WSY) of Hewlett-Packard.

Issues concerning these devices are covered by system hardware support contract, and any questions or

problems concerning these devices are eligible for resolution by a Hewlett-Packard Response Center.

Vendor Support

Some devices are not supported by WSY, but are supported by the device supplier, which may be an independent hardware vendor (IHV), independent software vendor (ISV) or another division of Hewlett-Packard. Where this is the case, the tables prefix the support status with “Vendor:” or “HP-ABC:”, where “ABC” is the ini-

tials of the HP entity supporting the device. Support contact information for those HP entities is given below.

This document lists many HP-branded devices normally sold to OEM customers, but which often find their way into retail channels. A few are considered supported by an ISV/

IHV or the supplying HP division, but most are not supported by WSY, reseller claims to the contrary notwithstanding. This document, to the extent possible, describes what is known about the use of these devices on HP 9000 Workstation systems.

HP Entity Support

Where a device is not supported by the system (by WSY), but rather by a specific HP division or entity, the following table provides contact information for each listed entity.

HP Entity Support Contacts

Abbrev.	Entity Name	Devices	Contact Information
CPO	Computer Peripherals Operation	<i>DesignJet, DeskJet, JetDirect, LaserJet, OfficeJet, ScanJet</i>	208-323-2551
ISG	Information Storage Group	<i>SureStore</i> (CDR, disk, DDS/DAT, MO)	970-635-1500
LPO	Local Products Organisation	As required by local market conditions	Region-dependent
PCG	Personal Computer Group	<i>PowerWise</i> [®] UPS - Note: support for this product line transferred to APC, (401) 789-5735	970-635-1500

Introduction Footnotes:

1. K-Class Servers may be converted to Graphics Workstation configuration but may first need to be upgraded, as a Server, to the same workstation Model number). The upgrade and conversion products are not listed in this document.
2. Although certain HP 9000 Models 825, 834, 835 and 845 were PA-RISC workstations, all support for them ceased at HP-UX 8.0, and their supported components and devices are not covered by this document.

Document Links

This document is available electronically, in Acrobat (.PDF, 3.0) form, at URL:
<ftp://contrib:9unsupp8@hprc.external.hp.com/supguides/workstations/>

System Processors

The following table lists several characteristics of each PA-RISC Workstation processor Model and the minimum operating system supported on each processor type. All later revisions are supported unless a

range (e.g. 8.0-9.05) is shown. A “⊥” symbol denotes a gap in revision support.

This edition of this document covers only the processor models listed in the following table. The phrase “All

Models” refers to these processors, and no others.

Make no assumptions about support for any newer systems not listed in this edition.

Processor Technologies

Support for some devices is linked to processor families.

The following table references the published processor family designation (e.g. PA-7100) to the HP internal code name (e.g. PCX-T) that has appeared in a few prior editions of this document.

PA-RISC Processor Technology Families

Processor Model	Internal Code Name
PA-7000	PCX-S
PA-7100, PA-7150	PCX-T
PA-7100LC	PCX-L
PA-7200, PA-7250	PCX-T
PA-7300LC	PCX-L2
PA-8000	PCX-U
PA-8200	PCX-U+
PA-8500	PCX-W

System Processor Support by Model Number

In general, all PA-RISC workstations that are still active products, mature products, or discontinued products (but still within their guaranteed minimum hardware support life) are supported through HP-UX release 10.20.

Workstation Models 825, 834, 835 and 845 have reached the end of their support lives, as have a few Series 700 system processor units.

Refer to the **Processor Support by Product Number** table for details on specific SPUs.

System Processor Support by Model Number

SPU Model and [CPU Clock Rate]	PA-RISC Processor	PA-RISC Object Binary Support	HP-UX Stand-Alone Support	HP-UX Diskless ³ Server Support	HP-UX Diskless Client Support
B132L [132]	1 @ PA-7300LC	1.1	10.20-11.0/32	10.20∇	10.20∇
B132L Plus [132]	1 @ PA-7300L2	1.1	10.20-11.0/32	10.20+ACE∇	10.20+ACE∇
B160L [160]	1 @ PA-7300LC	1.1	10.20-11.0/32	10.20∇	10.20∇
B180L [180]	1 @ PA-7300L2	1.1	10.20-11.0/32	10.20+ACE∇	10.20+ACE∇

System Processor Support by Model Number

SPU Model and [CPU Clock Rate]	PA-RISC Processor	PA-RISC Object Binary Support	HP-UX Stand- Alone Support	HP-UX Diskless ³ Server Support	HP-UX Diskless Client Support
C100 [100]	1 @ PA-7200	1.1	9.05 ⁴ -9.07 ⊥ 10.01-11.0/32	9.05-9.07 ⊥ 10.01-10.20 ∇	9.05-9.07 ⊥ 10.01-10.20 ∇
C110 [120]	1 @ PA-7200	1.1	9.05 ⁴ -9.07 ⊥ 10.01-11.0/32	9.05-9.07 ⊥ 10.01-10.20 ∇	9.05-9.07 ⊥ 10.01-10.20 ∇
C160 [160]	1 @ PA-8000	1.1, 2.0	10.20-11.0	10.20 ∇	10.20 ∇
C160L [160]	1 @ PA-7300LC	1.1, 2.0	10.20-11.0/32	10.20 ∇	10.20 ∇
C180-XP [180]	1 @ PA-8000	1.1, 2.0	10.20-11.0	10.20 ∇	10.20 ∇
C200 [200]	1 @ PA-8200	1.1, 2.0	10.20-11.0	10.20+ACE ∇	10.20+ACE ∇
C240 [236]	1 @ PA-8200	1.1, 2.0	10.20-11.0	10.20+ACE ∇	10.20+ACE ∇
EPS10 [100]	_ @ PA-7200	1.1	10.01-11.0/32	10.01	N/A
EPS20 [120]	_ @ PA-7200	1.1	10.01-11.0/32	10.01	N/A
J200° [100]	1,2 @ PA-7200	1.1	9.05 ⁴ -11.0/32	9.05-9.07 ⊥ 10.01-10.20 ∇	9.05-9.07 ⊥ 10.01-10.20 ∇
J210° [120]	1,2 @ PA-7200	1.1	9.05 ⁴ -11.0/32	9.05-9.07 ⊥ 10.01-10.20 ∇	9.05-9.07 ⊥ 10.01-10.20 ∇
J210XC° [120]	1,2 @ PA-7200	1.1	9.05 ⁴ -11.0/32	9.05-9.07 ⊥ 10.01-10.20 ∇	9.05-9.07 ⊥ 10.01-10.20 ∇
J280° [180]	1 @ PA-8000	1.1, 2.0	10.20-11.0	10.20 ∇	10.20 ∇
J282 [180]	1,2 @ PA-8000	1.1, 2.0	10.20-11.0	10.20 ∇	10.20 ∇
J2240 [240]	2 @ PA-8200	1.1, 2.0	10.20-11.0	10.20+ACE ∇	10.20+ACE ∇
K210 [120]	_ @ PA-7200	1.1	10.01-11.0	10.01	N/A
K260-EG [180]	1-4 @ PA-8000	1.1, 2.0	10.20-11.0	10.20	N/A
K410 [120]	_ @ PA-7200	1.1	10.01-11.0/32	10.01	N/A
K420 Cluster Node [120]	1-4 @ PA-7200	1.1	10.01-11.0/32	10.01	N/A
K460-EG [180]	1-4 @ PA-8000	1.1, 2.0	10.20-11.0	10.20	N/A
K460-XP [180]	1-4 @ PA-8000	1.1, 2.0	10.20-11.0	10.20	N/A
MPS10 ⁵ [125]	1 @ PA-7150	1.1	9.01-9.07 ⊥ 10.01-10.10	N/A	N/A
TelePACE ⁶	1 @ PA-7100LC	1.1	9.05	9.05	9.05
705 ⁷ [33]	1 @ PA-7000	1.1	8.07-9.07 ⊥ 10.01-10.20 ∇	8.07-9.07 ⊥ 10.01-10.20 ∇	8.07-9.07 ⊥ 10.01-10.20 ∇
710 ⁸ [50]	1 @ PA-7000	1.1	8.05-9.07 ⊥ 10.01-10.20 ∇	8.05-9.07 ⊥ 10.01-10.20 ∇	8.05-9.07 ⊥ 10.01-10.20 ∇
712/60	1 @ PA-7100LC	1.1	9.03-11.0/32	9.03-9.07 ⊥ 10.01-10.20 ∇	9.03-9.07 ⊥ 10.01-10.20 ∇
712/80 ⁹	1 @ PA-7100LC	1.1	9.03-11.0/32	9.03-9.07 ⊥ 10.01-10.20 ∇	9.03-9.07 ⊥ 10.01-10.20 ∇
712/100	1 @ PA-7100LC	1.1	9.03-11.0/32	9.03-9.07 ⊥ 10.01-10.20 ∇	9.03-9.07 ⊥ 10.01-10.20 ∇
715/33°	1 @ PA-7100	1.1	9.0-9.07 ⊥ 10.01-10.20 ∇	9.03-9.07 ⊥ 10.01-10.20 ∇	9.03-9.07 ⊥ 10.01-10.20 ∇
715s ¹⁰ [33]	1 @ PA-7100	1.1	9.0-9.07 ⊥ 10.01-10.20 ∇	9.0-9.07 ⊥ 0.01-10.20 ∇	9.0-9.07 ⊥ 10.01-10.20 ∇
715r ¹⁰ [33]	1 @ PA-7100	1.1	9.0-9.07 ⊥ 10.01-10.20 ∇	9.0-9.07 ⊥ 10.01-10.20 ∇	9.0-9.07 ⊥ 10.01-10.20 ∇
715/50°	1 @ PA-7100	1.1	9.0-9.07 ⊥ 10.01-10.20 ∇	9.03-9.07 ⊥ 10.01-10.20 ∇	9.03-9.07 ⊥ 10.01-10.20 ∇
715s ¹⁰ [50]	1 @ PA-7100	1.1	9.0-9.07 ⊥ 10.01-10.20 ∇	9.0-9.07 ⊥ 10.01-10.20 ∇	9.0-9.07 ⊥ 10.01-10.20 ∇
715r ¹⁰ [50]	1 @ PA-7100	1.1	9.0-9.07 ⊥ 10.01-10.20 ∇	9.0-9.07 ⊥ 10.01-10.20 ∇	9.0-9.07 ⊥ 10.01-10.20 ∇
715/64°	1 @ PA-7100LC	1.1	9.05-11.0/32	9.05-9.07 ⊥ 10.01-10.20 ∇	9.05-9.07 ⊥ 10.01-10.20 ∇

System Processor Support by Model Number

SPU Model and [CPU Clock Rate]	PA-RISC Processor	PA-RISC Object Binary Support	HP-UX Stand- Alone Support	HP-UX Diskless ³ Server Support	HP-UX Diskless Client Support
715/75°	1 @ PA-7100	1.1	9.0-10.20∇	9.0-9.07 ⊥ 10.01-10.20∇	9.0-9.07 ⊥ 10.01-10.20∇
715/80°	1 @ PA-7100LC	1.1	9.05-11.0/32	9.05-9.07 ⊥ 10.01-10.20∇	9.05-9.07 ⊥ 10.01-10.20∇
715/100°	1 @ PA-7100LC	1.1	9.05-11.0/32	9.05-9.07 ⊥ 10.01-10.20∇	9.05-9.07 ⊥ 10.01-10.20∇
715/100XC°	1 @ PA-7100LC	1.1	9.05-11.0/32	9.05-9.07 ⊥ 10.01-10.20∇	9.05-9.07 ⊥ 10.01-10.20∇
720° [50]	1 @ PA-7000	1.1	8.05-9.07 ⊥ 10.01-10.20∇	8.05-9.07 ⊥ 10.01-10.20∇	8.05-9.07 ⊥ 10.01-10.20∇
725/50°	1 @ PA-7100	1.1	9.0-10.20∇	9.0-9.07 ⊥ 10.01-10.20∇	9.0-9.07 ⊥ 10.01-10.20∇
725/75°	1 @ PA-7100	1.1	9.0-10.20∇	9.0-9.07 ⊥ 10.01-10.20∇	9.0-9.07 ⊥ 10.01-10.20∇
725/100°	1 @ PA-7100LC	1.1	9.0-11.0/32	9.05-9.07 ⊥ 10.01-10.20∇	9.05-9.07 ⊥ 10.01-10.20∇
730° [66]	1 @ PA-7000	1.1	8.05-9.07 ⊥ 10.01-10.20∇	8.05-9.07 ⊥ 10.01-10.20∇	8.05-9.07 ⊥ 10.01-10.20∇
735° [99]	1 @ PA-7100	1.1	9.0-10.20∇	9.0-9.07 ⊥ 10.01-10.20∇	9.0-9.07 ⊥ 10.01-10.20∇
735CL° [99]	1 @ PA-7100	1.1	9.01-9.07 ⊥ 10.01	N/A	N/A
735/125°	1 @ PA-7150	1.1	9.0-10.20∇	9.03-9.07 ⊥ 10.01-10.20∇	9.03-9.07 ⊥ 10.01-10.20∇
735CL/125°	1 @ PA-7150	1.1	9.01-9.07 ⊥ 10.01	N/A	N/A
742i ¹¹ [50]	1 @ PA-7100	1.1	9.05-9.07 ⊥ 10.10-10.20∇	N/A	9.05-9.07 ⊥ 10.10-10.20∇
743i ¹¹ /64	1 @ PA-7100LC	1.1	9.05-9.07 ⊥ 10.10-11.0/32	N/A	9.05-9.07 ⊥ 10.10-10.20∇
743i ¹¹ /100	1 @ PA-7100LC	1.1	9.05-9.07 ⊥ 10.10-11.0/32	N/A	9.05-9.07 ⊥ 10.10-10.20∇
V743i ¹¹ /64	1 @ PA-7100LC	1.1	9.05-9.07 ⊥ 10.10-10.20	N/A	9.05-9.07 ⊥ 10.10-10.20∇
V743i ¹¹ /100	1 @ PA-7100LC	1.1	9.05-9.07 ⊥ 10.10-10.20	N/A	9.05-9.07 ⊥ 10.10-10.20∇
744/132L	1 @ PA-7300LC	1.1	10.20-11.0/32	10.20∇	10.20∇
744/165L	1 @ PA-7300LC	1.1	10.20-11.0/32	10.20∇	10.20∇
745i/50°	1 @ PA-7100	1.1	9.0-9.07 ⊥ 10.10-10.20∇	9.0-9.07 ⊥ 10.10-10.20∇	9.0-9.07 ⊥ 10.10-10.20∇
745i/100°	1 @ PA-7100	1.1	9.0-9.07 ⊥ 10.10-10.20∇	9.0-9.07 ⊥ 10.10-10.20∇	9.0-9.07 ⊥ 10.10-10.20∇
745/132L	1 @ PA-7300LC	1.1	10.20-11.0/32	10.20∇	10.20∇
747i/50°	1 @ PA-7100	1.1	9.0-9.07 ⊥ 10.10-10.20∇	9.0-9.07 ⊥ 10.10-10.20∇	9.0-9.07 ⊥ 10.10-10.20∇
747i/100°	1 @ PA-7100	1.1	9.0-9.07 ⊥ 10.10-10.20∇	9.0-9.07 ⊥ 10.10-10.20∇	9.0-9.07 ⊥ 10.10-10.20∇
748i/64	1 @ PA-7100LC	1.1	9.05-9.07 ⊥ 10.10-11.0/32∇	9.05-9.07 ⊥ 10.10-10.20∇	9.05-9.07 ⊥ 10.10-10.20∇
748i/100	1 @ PA-7100LC	1.1	9.05-9.07 ⊥ 10.10-11.0/32∇	9.05-9.07 ⊥ 10.10-10.20∇	9.05-9.07 ⊥ 10.10-10.20∇
748/132L	1 @ PA-7300LC	1.1	10.20-11.0/32	10.20∇	10.20∇
748/165L	1 @ PA-7300LC	1.1	10.20-11.0/32	10.20∇	10.20∇
750° [66]	1 @ PA-7000	1.1	8.05-9.07 ⊥ 10.01-10.20∇	8.05-9.07 ⊥ 10.01-10.20∇	8.05-9.07 ⊥ 10.01-10.20∇
755° [99]	1 @ PA-7100	1.1	9.0-9.07 ⊥ 10.01-10.20∇	9.0-9.07 ⊥ 10.01-10.20∇	9.0-9.07 ⊥ 10.01-10.20∇
755/125°	1 @ PA-7150	1.1	9.0-9.07 ⊥ 10.01-10.20∇	9.0-9.07 ⊥ 10.01-10.20∇	9.0-9.07 ⊥ 10.01-10.20∇
825 ^{oo12} [25]	1 @ PN-5	1.0	1.0-8.0∇	N/A	N/A
834CH ^{oo12} [30]	1 @ PN-5	1.0	7.0-8.0∇	N/A	N/A
835 ^{oo12} [30]	1 @ PN-5	1.0	2.1-8.0∇	N/A	N/A
845 ^{oo12} [30]	1 @ PN-10	1.0	7.1-8.0∇	N/A	N/A

Processor Model Notes:

3. Diskless support is via HP-UX Diskless (aka "DUX") through release 9.07, and via NFS Diskless from release 10.01 forward. Release 10.0 does not support diskless operation. Migration from DUX to NFS diskless requires 10.10.
 4. HP-UX 9.05 and 9.07 support single-processor operation only on this Model. Symmetric Multi-Processor (SMP) support requires 10.0 or later.
 5. Formerly the Model 735CL/125.
 6. TelePACE is a 48 Vdc variant of the Model 748i. For device support purposes, it is identical to a 748i/100.
 7. For HP-UX 9.0-9.07, the following configurations require at least 16 Mbytes RAM: Stand-alone, Diskless Server, VUE, Motif, Starbase, PHIGS and with any local mass-storage or external peripherals. HP-UX 10.01 and later require 16 MB for all configurations.
 8. Model 425e° computer upgraded to Model 710° is treated generally the same as any 710 for hardware support purposes. Model 425e peripherals are supported only for upgraded systems, the processor notation 710e is used.
 9. Formerly known as the 712/80i. Any remaining "80i" models which have not been upgraded to "80" may be treated as 712/80 for support purposes.
 10. A Model 433s° or Model 433t° computer upgraded to Model 715° is treated generally the same as a 715/33° or 715/50° for hardware support purposes. Where existing Model 433s/t peripherals are supported only for upgraded systems, the table entry will specifically list the 715s° and 715t° Models.
 11. The Model 742rt, 743rt, 744rt and their associated HP-RT operating system are not covered by this document.
 12. Although certain HP 9000 Models 825, 834, 835 and 845 were PA-RISC workstations, all support for them ceased at HP-UX 8.0, and their supported components and devices are not covered by this document.
- Model 825, 835 and 845 could be converted to servers; however, the last supported HP-UX for those servers was 10.10.

Processor Support by Product Number

“Type” denotes the style of the processor’s external cabinetry.

“Desktop” models may be floor-mounted using the included adaptor base.

“Deskside” models are designed only for operation in vertical orientation.

“Rackable” models are Deskside models for which a support rack is available.

“Server” models include a rack.

Processor Support by Product Number

Formal Product Number	Abbreviated Product Description	Type	Base Boot ROM	HP-UX Version Support
A1926A ^{oo}	Model 720 PersonalVRX, 420 Mbyte	DeskTop	Any	8.05-9.07 ⊥ 10.01-10.20 ∇
A1927A ^{oo}	Model 720 PersonalVRX, 2x210 Mbyte	DeskTop	Any	8.05-9.07 ⊥ 10.01-10.20 ∇
A1928A ^{oo}	Model 720 GRX diskless	DeskTop	Any	8.05-9.07 ⊥ 10.01-10.20 ∇
A1929A ^o	Model 720 GRX, 420 Mbyte	DeskTop	Any	8.05-9.07 ⊥ 10.01-10.20 ∇
A1930A ^{oo}	Model 720 CRX, 2x210 Mbyte	DeskTop	Any	8.05-9.07 ⊥ 10.01-10.20 ∇
A1931A ^{oo}	Model 720 CRX, 420 Mbyte	DeskTop	Any	8.05-9.07 ⊥ 10.01-10.20 ∇
A1932A ^{oo}	Model 720 CRX diskless	DeskTop	Any	8.05-9.07 ⊥ 10.01-10.20 ∇
A1933A ^o	Model 720 CRX, 420 Mbyte	DeskTop	Any	8.05-9.07 ⊥ 10.01-10.20 ∇
A1935A ^{oo}	Model 720 PersonalVRX, 420 Mbyte	DeskTop	Any	8.05-9.07 ⊥ 10.01-10.20 ∇
A1936A ^{oo}	Model 720 GRX, 2x210 Mbyte	DeskTop	Any	8.05-9.07 ⊥ 10.01-10.20 ∇
A1937A ^{oo}	Model 720 GRX, 420 Mbyte	DeskTop	Any	8.05-9.07 ⊥ 10.01-10.20 ∇
A1938A ^{oo}	Model 720 TurboVRX T2, 420 Mbyte	DeskTop	Any	8.05-9.07 ⊥ 10.01-10.20 ∇
A1939A ^{oo}	Model 720 TurboVRX T4, 420 Mbyte	DeskTop	Any	8.05-9.07 ⊥ 10.01-10.20 ∇
A1941A ^{oo}	Model 720 TurboVRX T2, 420 Mbyte	DeskTop	Any	8.05-9.07 ⊥ 10.01-10.20 ∇
A1943A ^{oo}	Model 720 TurboVRX T4, 420 Mbyte	DeskTop	Any	8.05-9.07 ⊥ 10.01-10.20 ∇
A1944A ^{oo}	Model 720 Server, 420 Mbyte	DeskTop	Any	8.05-9.07 ⊥ 10.01-10.20 ∇
A1945A ^{oo}	Model 730 GRX, 210 Mbyte	DeskTop	Any	8.05-9.07 ⊥ 10.01-10.20 ∇
A1946A ^{oo}	Model 730 GRX, 420 Mbyte	DeskTop	Any	8.05-9.07 ⊥ 10.01-10.20 ∇
A1947A ^{oo}	Model 730 CRX, 2x210 Mbyte	DeskTop	Any	8.05-9.07 ⊥ 10.01-10.20 ∇
A1948A ^{oo}	Model 730 CRX, 420 Mbyte	DeskTop	Any	8.05-9.07 ⊥ 10.01-10.20 ∇
A1949A ^{oo}	Model 730 CRX, 210 Mbyte	DeskTop	Any	8.05-9.07 ⊥ 10.01-10.20 ∇
A1950A ^o	Model 730 CRX, 420 Mbyte	DeskTop	Any	8.05-9.07 ⊥ 10.01-10.20 ∇
A1951A ^{oo}	Model 730 PersonalVRX, 420 Mbyte	DeskTop	Any	8.05-9.07 ⊥ 10.01-10.20 ∇
A1952A ^{oo}	Model 730 PersonalVRX, 2x210 Mbyte	DeskTop	Any	8.05-9.07 ⊥ 10.01-10.20 ∇
A1953A ^{oo}	Model 730 PersonalVRX, 420 Mbyte	DeskTop	Any	8.05-9.07 ⊥ 10.01-10.20 ∇
A1954A ^{oo}	Model 730 TurboVRX T2, 2x420 Mbyte	DeskTop	Any	8.05-9.07 ⊥ 10.01-10.20 ∇
A1955A ^{oo}	Model 730 TurboVRX T4, 2x420 Mbyte	DeskTop	Any	8.05-9.07 ⊥ 10.01-10.20 ∇
A1956A ^{oo}	Model 730 Server, 420 Mbyte	DeskTop	Any	8.05-9.07 ⊥ 10.01-10.20 ∇
A1958A ^{oo}	Model 730 GRX, 2x210 Mbyte	DeskTop	Any	8.05-9.07 ⊥ 10.01-10.20 ∇
A1959A ^{oo}	Model 730 GRX, 420 Mbyte	DeskTop	Any	8.05-9.07 ⊥ 10.01-10.20 ∇
A1960A ^{oo}	Model 730 TurboVRX T2, 420 Mbyte	DeskTop	Any	8.05-9.07 ⊥ 10.01-10.20 ∇
A1961A ^{oo}	Model 750 CRX, 660 Mbyte	DeskSide	Any	8.05-9.07 ⊥ 10.01-10.20 ∇
A1962A ^{oo}	Model 750 CRX, 1.3 Gbyte	DeskSide	Any	8.05-9.07 ⊥ 10.01-10.20 ∇

Processor Support by Product Number

Formal Product Number	Abbreviated Product Description	Type	Base Boot ROM	HP-UX Version Support
A1963A ^{oo}	Model 750 PersonalVRX, 660 Mbyte	DeskSide	Any	8.05-9.07 ⊥ 10.01-10.20 ∇
A1964A ^{oo}	Model 750 PersonalVRX, 1.3 Gbyte	DeskSide	Any	8.05-9.07 ⊥ 10.01-10.20 ∇
A1965A ^{oo}	Model 730 TurboVRX T4, 420 Mbyte	DeskTop	Any	8.05-9.07 ⊥ 10.01-10.20 ∇
A1969A ^{oo}	Model 750 TurboVRX T2, 1.3 Gbyte	DeskSide	Any	8.05-9.07 ⊥ 10.01-10.20 ∇
A1970A ^{oo}	Model 750 TurboVRX T4, 1.3 Gbyte	DeskSide	Any	8.05-9.07 ⊥ 10.01-10.20 ∇
A1971A ^{oo}	Model 750 Server, 660 Mbyte	DeskSide	Any	8.05-9.07 ⊥ 10.01-10.20 ∇
A1977A ^{oo}	Model 750 Server, 1.3 Gbyte	DeskSide	Any	8.05-9.07 ⊥ 10.01-10.20 ∇
A2060A ^o	Model 715/64 TCO	DeskTop	2.7	9.05-11.0/32
A2061A ^o	Model 715/80 TCO	DeskTop	2.7	9.05-11.0/32
A2062A ^o	Model 715/100 TCO	DeskTop	2.7	9.05-11.0/32
A2063A ^o	Model 715/100XC TCO	DeskTop	2.7	9.05-11.0/32
A2208A ^o	Model 710 grey, diskless	DeskTop	2.0	8.05-9.07 ⊥ 10.01-10.20 ∇
A2209A ^o	Model 710 grey, 420 Mbyte, flex.	DeskTop	2.0	8.05-9.07 ⊥ 10.01-10.20 ∇
A2210A ^o	Model 710 1024 color, diskless	DeskTop	2.0	8.05-9.07 ⊥ 10.01-10.20 ∇
A2211A ^o	Model 710 1024 color, 420 Mbyte	DeskTop	2.0	8.05-9.07 ⊥ 10.01-10.20 ∇
A2212A ^o	Model 710 grey, 420 Mbyte	DeskTop	2.0	8.05-9.07 ⊥ 10.01-10.20 ∇
A2213A ^o	Model 710 1280 color, diskless	DeskTop	2.0	8.05-9.07 ⊥ 10.01-10.20 ∇
A2214A ^o	Model 710 1280 color, 420 Mbyte	DeskTop	2.0	8.05-9.07 ⊥ 10.01-10.20 ∇
A2215A ^o	Model 710 1280 color, 840 Mbyte	DeskTop	2.0	8.05-9.07 ⊥ 10.01-10.20 ∇
A2222A ^o	Model 710 1280 color, 420 Mbyte, DDS	DeskTop	2.0	8.05-9.07 ⊥ 10.01-10.20 ∇
A2260A ^{oo}	Model 742i I/50I, 16 MB RAM	VME Board	Any	
A2263A ^o	Model 720 CRX-24, 420 Mbyte	DeskTop	Any	8.07-9.07 ⊥ 10.01-10.20 ∇
A2264A ^o	Model 720 CRX-24Z, 420 Mbyte	DeskTop	Any	8.07-9.07 ⊥ 10.01-10.20 ∇
A2265A ^{oo}	Model 730 CRX-24, 420 Mbyte	DeskTop	Any	8.07-9.07 ⊥ 10.01-10.20 ∇
A2266A ^{oo}	Model 730 CRX-24Z, 420 Mbyte	DeskTop	Any	8.07-9.07 ⊥ 10.01-10.20 ∇
A2267A ^{oo}	Model 750 CRX-24, 1.3 Gbyte	DeskSide	Any	8.07-9.07 ⊥ 10.01-10.20 ∇
A2268A ^{oo}	Model 750 CRX-24Z, 1.3 Gbyte	DeskSide	Any	8.07-9.07 ⊥ 10.01-10.20 ∇
A2276A ^{oo}	Model 730 TurboVRX T4, 420 Mbyte	DeskTop	Any	8.05-9.07 ⊥ 10.01-10.20 ∇
A2277A ^{oo}	Model 730 Dual CRX, 420 Mbyte	DeskTop	Any	8.07-9.07 ⊥ 10.01-10.20 ∇
A2277B ^o	Model 730 Dual CRX, 420 Mbyte	DeskTop	Any	8.07-9.07 ⊥ 10.01-10.20 ∇
A2278A ^o	Model 750 CRX, 1.3 Gbyte	DeskSide	Any	8.05-9.07 ⊥ 10.01-10.20 ∇
A2279A ^o	Model 720 Dual CRX, 420 Mbyte	DeskTop	Any	8.07-9.07 ⊥ 10.01-10.20 ∇
A2281A ^{oo}	Model 750 TurboVRX T4, 1.3 Gbyte	DeskSide	Any	8.05-9.07 ⊥ 10.01-10.20 ∇
A2282A ^{oo}	Model 750 Dual CRX, 1.3 Gbyte	DeskSide	Any	8.07-9.07 ⊥ 10.01-10.20 ∇
A2282B ^o	Model 750 Dual CRX, 1.3 Gbyte	DeskSide	Any	8.07-9.07 ⊥ 10.01-10.20 ∇
A2283A ^o	Model 750 Server, 1.3 Gbyte, DDS, CD-ROM	DeskSide	Any	8.05-9.07 ⊥ 10.01-10.20 ∇
A2284A ^o	Model 730 Server, 2x420 Mbyte, DDS, CD-ROM	DeskTop	Any	8.05-9.07 ⊥ 10.01-10.20 ∇
A2286A ^o	Model 720 Server, 420 Mbyte, DDS, CD-ROM	DeskTop	Any	8.05-9.07 ⊥ 10.01-10.20 ∇
A2289A ^o	Model 705 Grayscale	DeskTop	2.0	8.07-9.07 ⊥ 10.01-10.20 ∇
A2551A ^o	Model 755CRX, 19-in. 1280x1024 color, 2.0Gb, 64Mb	DeskSide	1.1	9.0-10.20 ∇

Processor Support by Product Number

Formal Product Number	Abbreviated Product Description	Type	Base Boot ROM	HP-UX Version Support
A2552A°	Model 755CRX-24, 19-in. 1280x1024 color, 2.0Gb, 64Mb	DeskSide	1.1	9.0-10.20√
A2553A°	Model 755CRX-24Z, 19-in. 1280x1024 color, 2.0Gb, 64Mb	DeskSide	1.1	9.0-10.20√
A2600A°	Model 735GRX, 19-in. 1280x1024 gray, 525Mb, 32Mb	Desktop	1.1	9.0-10.20√
A2601A°	Model 735CRX, 19-in. 1280x1024 color, 525Mb, 32Mb	Desktop	1.1	9.0-10.20√
A2602A°	Model 735CRX-24, 19-in. 1280x1024 color, 1.0Gb, 32Mb	Desktop	1.1	9.0-10.20√
A2603A°	Model 735CRX-24Z, 19-in. 1280x1024 color, 1.0Gb, 32Mb	Desktop	1.1	9.0-10.20√
A2607A°	Model 735 Dual CRX, 2x19-in. 1280 color, 1.0Gb, 32Mb	Desktop	1.1	9.0-10.20√
A2608A°	Model 735CRX, 19-in. 1280x1024 color, 1.0Gb, 32Mb	Desktop	1.1	9.0-10.20√
A2609A°	Model 735CRX-48Z, 19-in. 1280x1024 color, 1.0Gb, 32Mb	Desktop	1.1	9.0-10.20√
A2610A°	Model 715/33, 19-in. 1280x1024 gray, diskless	DeskTop	1.1	9.0-10.20√
A2611A°	Model 715/33, 15-in. 1024x768x8 color, 16MB, 525MB	DeskTop	1.1	9.0-10.20√
A2612A°	Model 715/33, 17-in. 1024x768 color, diskless	DeskTop	1.1	9.0-10.20√
A2613A°	Model 715/33, 19-in. 1280x1024 color, 525Mb	DeskTop	1.1	9.0-10.20√
A2614A°	Model 715/33, 19-in. 1280x1024 gray, 525Mb	DeskTop	1.1	9.0-10.20√
A2616A°	Model 715/33, 17-in. 1024x768 color, 525Mb, floppy	DeskTop	1.1	9.0-10.20√
A2617A°	Model 715/33, 19-in. 1280x1024 color, 525Mb, 16Mb	DeskTop	1.1	9.0-10.20√
A2618A°	Model 715/33, 19-in. 1280x1024 color, 525Mb, 32Mb	DeskTop	1.1	9.0-10.20√
A2619A°	Model 715/33, 19-in. color, 1.0Gb	DeskTop	1.1	9.0-10.20√
A2620A°	Model 715/33 CRX-24, 19-in. 1280x1024 color, 525 Mb	DeskTop	1.1	9.0-10.20√
A2621A°	Model 715/33 CRX-24Z, 19-in. 1280x1024 color, 525 Mb	DeskTop	1.1	9.0-10.20√
A2625A°	Model 715/50, 19-in. 1280x1024 gray, 525Mb	DeskTop	1.1	9.0-10.20√
A2627A°	Model 715/50, 19-in. 1280x1024 color, 525Mb, 16Mb	DeskTop	1.1	9.0-10.20√
A2629A°	Model 715/50, 19-in. 1280x1024 color, 525Mb, 16Mb	DeskTop	1.1	9.0-10.20√
A2630A°	Model 715/50, 19-in. 1280x1024 color, 525Mb, 32Mb	DeskTop	1.1	9.0-10.20√
A2631A°	Model 715/50, 19-in. color, 1.0Gb, 32Mb	DeskTop	1.1	9.0-10.20√
A2632A°	Model 715/50, 19-in. color, 1.0Gb, DDS-DC	DeskTop	1.1	9.0-10.20√
A2633A°	Model 715/50 CRX-24, 19-in. 1280 color, 525 Mb, 16Mb	DeskTop	1.1	9.0-10.20√
A2634A°	Model 715/50 CRX-24Z, 19-in. 1280 color, 525 Mb, 16Mb	DeskTop	1.1	9.0-10.20√
A2635A°	Model 715/50 CRX-48Z, 19-in. 1280 color, 525 Mb, 16Mb	DeskTop	1.1	9.0-10.20√
A2637A°	Model 745i, 16 MB, 17;-in. color	Rack	Any	9.0-10.20√
A2637B°	Model 745i/50 16 MB, 15;-in. color	Rack	Any	9.0-10.20√
A2638A°	Model 745i, 16 MB, 15;-in. color	Rack	Any	9.0-10.20√
A2638B	Model 745i/50, 16 MB, 15;-in. color	Rack	Any	9.0-10.20√
A2639A°	Model 747i/16 MB, 14;-in. color	Rack	Any	9.0-10.20√
A2639B	Model 747i/50 16 MB, 15;-in. color	Rack	Any	9.0-10.20√
A2648A°	Model 705 Color 1024, 16-inch	DeskTop	2.0	8.07-9.07┘10.01-10.20√
A2648B°	Model 705 Color 1024, 16-inch	DeskTop	2.0	8.07-9.07┘10.01-10.20√
A2649A°	Model 705 Color 1280, 19-inch	DeskTop	2.0	8.07-9.07┘10.01-10.20√
A2649B°	Model 705 Color 1280, 19-inch	DeskTop	2.0	8.07-9.07┘10.01-10.20√
A2649C°	Model 705 Color 1280, 19-inch	DeskTop	2.0	8.07-9.07┘10.01-10.20√

Processor Support by Product Number

Formal Product Number	Abbreviated Product Description	Type	Base Boot ROM	HP-UX Version Support
A2650A°	Model 755CRX-48Z, 19-in. 1280x1024 color, 2.0Gb, 64Mb	DeskSide	1.1	9.0-10.20√
A2652A°	Model 755 Dual CRX, dual 20-in., 1280 color, 2.0Gb, 64Mb	DeskSide	1.1	9.0-10.20√
A2659A°	Model 735GRX, 19-in. 1280x1024 gray, 1.0Gb, 32Mb	Desktop	1.1	9.0-10.20√
A2685A°	Model 725/50, 19-in. 1280x1024 gray, 525Mb, 32Mb	Desktop	1.1	9.0-10.20√
A2689A°	Model 725/50, 19-in. 1280x1024 color, 525Mb, 32Mb	Desktop	1.1	9.0-10.20√
A2691A°	Model 725/50 CRX24, 19-in. 1280 color, 1.0Gb, 32Mb	Desktop	1.1	9.0-10.20√
A2692A°	Model 725/50 CRX24Z, 19-in. 1280 color, 1.0Gb, 32Mb	Desktop	1.1	9.0-10.20√
A2693A°	Model 725/50 CRX48Z, 19-in. 1280 color, 1.0Gb, 32Mb	Desktop	1.1	9.0-10.20√
A2695A°	Model 725/50 diskless	DeskTop	1.1	9.0-10.20√
A2696A°	Model 725/50 SPU only	DeskTop	1.1	9.0-10.20√
A2823A°	Model 715/33 diskless	DeskTop	1.1	9.0-10.20√
A2824A°	Model 715/50 diskless	DeskTop	1.1	9.0-10.20√
A2825A°	Model 715/33 SPU only	DeskTop	1.1	9.0-10.20√
A2826A°	Model 715/50 SPU only	DeskTop	1.1	9.0-10.20√
A2876A°	Model J280, OMB, no graphics	DeskSide	Any	10.20-11.0
A2896A°	Model 715/75 SPU, 32 MB RAM	DeskTop	1.2	9.0-10.20√
A2897A°	Model 725/75 SPU, 32 MB RAM	DeskTop	1.2	9.0-10.20√
A3222A	Model K410 Base Node for EPS20 Cluster	Rackable	Any	10.01
A3409A	EPS20 Base Module	Server		10.01
A3410A	Model K410 Cluster Node for EPS20	Server		10.01
A3411A	Model K210 Cluster Node for EPS20	Server		10.01
A3435A	Model K260-EG	Rackable		10.20
A3452A	Model K420 EPS20 Cluster Node	Rackable		10.01
A3489A°	Model K460-EG	Rackable		10.20√
A3489B	Model K460-EG	Rackable		10.20
A3533A°	Model K460-XP	Rackable		10.20√
A3533B	Model K460-XP	Rackable		10.20
A4010A°	Model 712/60, 15-in. 260MB ¹³ , 16MB, parchment	DeskTop	Any	9.03-11.0/32
A4010B°	Model 712/60, 15-in. 525 MB, 16MB, parchment	DeskTop	Any	9.03-11.0/32
A4010C°	Model 712/60, 15-in. 1 GB, 16MB, parchment	DeskTop	Any	9.03-11.0/32
A4010D	Model 712/60, 15-in. 1 GB, 16MB, quartz color	DeskTop	Any	9.03-11.0/32
A4023A°	Model 712/60 Base SPU, parchment	DeskTop	Any	9.03-11.0/32
A4023D	Model 712/60 Base SPU, quartz	DeskTop	Any	9.03-11.0/32
A4027A°	Model 712/80 ¹⁴ Base SPU, parchment	DeskTop	Any	9.03-11.0/32
A4027D	Model 712/80 Base SPU, quartz color	DeskTop	Any	9.03-11.0/32
A4053A°	Model 735/125, 32MB	DeskTop	2.7	9.03-9.07 ⊥ 10.01-10.20√
A4080A°	Model J200, OMB, no graphics	DeskSide	Any	9.05-9.07 ⊥ 10.01-11.0/32
A4081A°	Model J210, OMB, no graphics	DeskSide	Any	9.05-9.07 ⊥ 10.01-11.0/32
A4083A°	Model 735CL-4 802.3 Cluster	Rack	Any	9.01-9.07 ⊥ 10.01-10.10
A4084A°	Model 735CL-8 802.3 Cluster	Rack	Any	9.01-9.07 ⊥ 10.01-10.10
A4085A°	Model 735CL-4 FDDI Cluster	Rack	Any	9.01-9.07 ⊥ 10.01-10.10

Processor Support by Product Number

Formal Product Number	Abbreviated Product Description	Type	Base Boot ROM	HP-UX Version Support
A4086A°	Model 735CL-8 FDDI Cluster	Rack	Any	9.01-9.07 ⊥ 10.01-10.10
A4087A°	Model 735 802.3 Cluster Node, 80MB, 1GB	Rack	Any	9.01-9.07 ⊥ 10.01-10.10
A4088A°	Model 735 FDDI Cluster Node, 80MB, 1GB	Rack	Any	9.01-9.07 ⊥ 10.01-10.10
A4090A°	Model 715/64 SPU, 32 MB RAM	DeskTop	2.7	9.05-11.0/32
A4091A°	Model 715/100 SPU, 32 MB RAM	DeskTop	2.7	9.05-11.0/32
A4092A°	Model 725/100 SPU, 32 MB RAM	DeskTop	2.7	9.05-11.0/32
A4093A°	Model 715/80 SPU, 32 MB RAM	DeskTop	2.7	9.05-11.0/32
A4100A°	Model 755/125 SPU, 64 MB RAM	DeskSide	Any	9.05-10.20
A4152A°	Model 735 Terminal Console (for 802.3 735CL)	DeskTop	Any	9.01-9.07 ⊥ 10.01-10.10
A4153A°	Model 755 Terminal Console (for 802.3 735CL)	DeskSide	Any	9.01-9.07 ⊥ 10.01-10.10
A4154A°	Model 735 Terminal Console (for FDDI 735CL)	DeskTop	Any	9.01-9.07 ⊥ 10.01-10.10
A4155A°	Model 755 Terminal Console (for FDDI 735CL)	DeskSide	Any	9.01-9.07 ⊥ 10.01-10.10
A4157A°	Model MPSIO Cluster	Rack	2.7	9.03-9.07 ⊥ 10.01-10.10
A4170A°	Model MPSIO 735/125 cluster node	Rackable	2.7	9.03-9.07 ⊥ 10.01-10.10
A4172A°	Model 735/125 Terminal Console (for MPSIO)	DeskTop	2.7	9.01-9.07 ⊥ 10.01-10.10
A4173A°	Model 755/125 Terminal Console (for MPSIO)	DeskTop	2.7	9.01-9.07 ⊥ 10.01-10.10
A4190A	Model B132L, OMB	DeskTop	Any	10.20-11.0/32
A4191A	Model B160L, OMB	DeskTop	Any	10.20-11.0/32
A4200A°	Model C100, 100MHz, 0 MB, no graphics, parchment	DeskTop	Any	9.05-9.07 ⊥ 10.01-11.0/32
A4200D	Model C100, 100MHz, 0 MB, no graphics, quartz	DeskTop	Any	9.05-9.07 ⊥ 10.01-11.0/32
A4201A°	Model C100, 120MHz, 0 MB, no graphics, parchment	DeskTop	Any	9.05-9.07 ⊥ 10.01-11.0/32
A4201D	Model C100, 120MHz, 0 MB, no graphics, quartz	DeskTop	Any	9.05-9.07 ⊥ 10.01-11.0/32
A4234A	Model J282, OMB, no graphics	DeskSide	Any	10.20-11.0V
A4260A	Model 743i, 0 MB	VME 6U	Any	9.05-9.07 ⊥ 10.01-11.0/32
A4261A	Model 743rt	VME 6U	N/A	HP-UX not supported
A4290A°	Model J200, OMB, no graphics	DeskSide	Any	9.05-9.07 ⊥ 10.01-10.20
A4310A°	Model 748i/64, 32 MB, 1280x1024x8, parchment	Rack	Any	9.05-11.0/32
A4310D	Model 748i/64, 32 MB, 1280x1024x8, quartz	Rack	Any	9.05-11.0/32
A4311A°	Model 748i/100, 32 MB, 1280x1024x8, parchment	Rack	Any	9.05-11.0/32
A4311D	Model 748i/100, 32 MB, 1280x1024x8, quartz	Rack	Any	9.05-11.0/32
A4318A	Model C200, OMB, no disk, no graphics	DeskTop	Any	10.20-11.0/32
A4340A° A4341A°	Model 715/100XC SPU	DeskTop	Any	9.05-9.07 ⊥ 10.10-11.0/32
A4323A	Model B180L, OMB	DeskTop	Any	10.20-11.0/32
A4345A°	Model 712/100 SPU, parchment	DeskTop	Any	9.05-11.0/32
A4345D	Model 712/100 SPU, quartz	DeskTop	Any	9.05-11.0/32
A4458A	Model J2240 SPU, 2 CPUs, no RAM, no disk	DeskSide	Any	10.20-11.0
A4478A	Second CPU for J210XC	Board	Any	10.20-11.0/32
A4481A°	Model J210XC, OMB, no graphics	DeskSide	Any	9.05-9.07 ⊥ 10.01-11.0/32
A4487A	Model J282 1-way, OMB, no graphics	DeskSide	Any	10.20-11.0
A4488A	Model J282 2-way, OMB, no graphics	DeskSide	Any	10.20-11.0
A4491A°	Model J210XC, OMB, no graphics	DeskSide	Any	9.05-9.07 ⊥ 10.01-11.0/32

Processor Support by Product Number

Formal Product Number	Abbreviated Product Description	Type	Base Boot ROM	HP-UX Version Support
A4500A	Model 744/132L, OMB, VISUALIZE-EG	VME 6U	Any	10.20-11.0/32
A4508A	Second CPU for J282	Board	Any	10.20-11.0
A4510A	Model 748/132L, 32MB, VISUALIZE-EG	Rack	Any	10.20-11.0/32
A4511A	Model 744/165L, OMB	VME 6U	Any	10.20-11.0/32
A4513A	Model 748/165L, OMB, VISUALIZE-EG	Rack	Any	10.20-11.0/32
A4520A	Model 744rt/132L, OMB, no video	VME 6U	Any	Unsupported
A4521A	Model C160L-EG, OMB	DeskTop	Any	10.20-11.0/32
A4522A	Model C160L, OMB, VISUALIZE-EG	DeskTop	Any	10.20-11.0/32
A4523A	Model C180-XP, OMB	DeskTop	Any	10.20-11.0
A4578A	Model B132L+, OMB	DeskTop	Any	10.20-11.0/32
A4946A	Model C240se, 1GB RAM, 9GB HDD, 12xCD. 20-inch	DeskTop	Any	10.20-11.0
A4945A	Model C240, OMB	DeskTop	Any	10.20-11.0
A4964A	Model 745/132L	Rack	Any	10.20-11.0/32
B1039A ^{oo}	Campus Management Station, (710) 32 MB, 420 MB	DeskTop		8.07-9.07 ⊥ 10.10-10.20 ∇
B1039B ^o	Campus Management Station, (710) 32 MB, 420 MB	DeskTop		8.07-9.07 ⊥ 10.10-10.20 ∇
B1040A ^{oo}	Enterprise Management Station, (720) 32 MB, 420 MB	DeskTop		8.07-9.07 ⊥ 10.10-10.20 ∇
B1040B ^o	Enterprise Management Station, (720) 32 MB, 420 MB	DeskTop		8.07-9.07 ⊥ 10.10-10.20 ∇
C2286A ^o	Model 720 Server, 2x420 Mbyte, DDS	DeskTop	Any	8.07-9.07 ⊥ 10.01-10.20 ∇
C2455A ^o	Model 720 Optical Server, 2x420 Mbyte, C1700A, DDS	DeskTop	Any	8.07-9.07 ⊥ 10.01-10.20 ∇
E1497A	v743/64, 0 MB	VXI	Any	9.05-10.10
E1498A	v743/100, 0 MB	VXI	Any	9.05-10.10
E4005A ^o	725/50 (3x7x console)	DeskTop	1.1	9.0-9.07 ⊥ 10.01-10.10
E4005B ^o	725/50 (3x7x console)	DeskTop	1.1	9.0-9.07 ⊥ 10.01-10.10
E4005C ^o	725/50 (3x7x console)	DeskTop	1.1	9.0-9.07 ⊥ 10.01-10.10
E4007A ^o	712/60 (3x7x developer)	DeskTop	Any	9.03-9.07 ⊥ 10.01-10.10
E4007B	712/60 (3x7x developer)	DeskTop	Any	9.03-9.07 ⊥ 10.01-10.10
L1200A	QuickBurst Signal Conversion System (v743/100)	Rack	Any	10.10
Z7080A	TelePACE, 32MB	Rack	Any	9.05
Z7655A	Base Station Controller (B-Class) w/ACC card	Rackable	Any	10.20
Z7718A	Base Station Controller (B-Class) w/o ACC card	Rackable	Any	10.20

Processor Product Notes:

13. This disk is too small to support self-hosted HP-UX 10.x
14. Formerly known as the 712/80i. Any remaining "80i" models which have not been upgraded to "80" may be treated as 712/80i for support purposes.

Processor Upgrade Support by Product Number

This table includes only upgrades-in-place, and not trade-in upgrades.

System Processor Upgrade Support by Product Number

Formal Product Number	Abbreviated Product Description	Type	Base Boot ROM	HP-UX Version Support
A1957A°	Model 730 Upgrade from 720	Parts	1.0	8.05-9.07 ⊥ 10.01-10.20 ∇
A2087A°	Model 425e to 710 Upgrade	Parts	1.0	8.05-9.07 ⊥ 10.01-10.20 ∇
A2089A°	Model 400t/425t to 715t/33 Upgrade	Parts	1.0	8.05-9.07 ⊥ 10.01-10.20 ∇
A2090A°	Model 400t/425t to 715t/50 Upgrade	Parts	1.0	8.05-9.07 ⊥ 10.01-10.20 ∇
A2092A°	Model 4xxs to 715s/33 Upgrade	Parts	1.0	8.05-9.07 ⊥ 10.01-10.20 ∇
A2093A°	Model 4xxs to 715s/50 Upgrade	Parts	1.0	8.05-9.07 ⊥ 10.01-10.20 ∇
A2248A°	Model 750 to 755/99 Upgrade	Parts	1.1	9.0-10.20 ∇
A2248AU°	Model 750 to 755/99 Upgrade	Parts	1.1	9.0-10.20 ∇
A2605A°	Model 720 to 735/99 Upgrade	Parts	1.1	9.0-10.20 ∇
A2606A°	Model 730 to 735/99 Upgrade	Parts	1.1	9.0-10.20 ∇
A2628A	Model 700/50 MHz to 100 MHz Upgrade	Parts	Any	9.01-9.07 ⊥ 10.01-10.20 ∇
A2647A°	Model 705 to 710 Upgrade	Parts	1.0	8.07-9.07 ⊥ 10.01-10.20 ∇
A2672A	Model J200 to J280 Upgrade	Parts	Any	10.20-11.0
A2805A°	Model 715/33 to 715/50 Upgrade	Parts	1.1	9.0-10.20 ∇
A2806A°	Model 715/33 to 715/75 Upgrade	Parts	Any	9.0-10.20 ∇
A2807A°	Model 715/50 to 715/75 Upgrade	Parts	Any	9.0-10.20 ∇
A2808A°	Model 725/50 to 725/75 Upgrade	Parts	Any	9.0-10.20 ∇
A2835A°	Model 705 to 715/50 Upgrade	Parts	1.1	9.0-10.20 ∇
A2836A°	Model 710 to 715/50 Upgrade	Parts	1.1	9.0-10.20 ∇
A2837A°	Model 425e to 715/50 Upgrade	Parts	1.1	9.01-10.20 ∇
A2992A	Model K420 Memory Extender	Parts		10.01-10.20
A2995A	Model K410 Additional PA-7200 Processor	Parts		10.01-10.20
A3188A	Upgrades to Model K260 from various non-workstation Server models	Parts	N/A	Unsupported as Workstation
A4050A°	Model 735/99 to 735/125 Upgrade	Parts	2.7	9.01-10.20 ∇
A4051A°	Model 730 to 735/125 Upgrade	Parts	2.7	9.01-10.20 ∇
A4052A°	Model 720 to 735/125 Upgrade	Parts	2.7	9.01-10.20 ∇
A4105A°	Model 755/99 to 755/125 Upgrade	Parts		9.05-10.20 ∇
A4106A°	Model 750 to 755/125 Upgrade	Parts		9.05-10.20 ∇
A4142A°	Model 715/33 to 715/64 Upgrade	Parts		9.05-11.0/32
A4143A°	Model 715/33 to 715/100 Upgrade	Parts		9.05-11.0/32
A4144A°	Model 715/50 to 715/100 Upgrade	Parts		9.05-11.0/32
A4145A°	Model 715/75 to 715/100 Upgrade	Parts		9.05-11.0/32
A4146A°	Model 725/50 to 725/100 Upgrade	Parts		9.05-11.0/32
A4147A°	Model 725/75 to 725/100 Upgrade	Parts		9.05-11.0/32
A4148A°	Model 715/64 to 715/100 Upgrade	Parts		9.05-11.0/32
A4149A°	Model 715/80 to 715/100 Upgrade	Parts		9.05-11.0/32
A4150A°	Model 735CL to MPS10 Upgrade for 4 nodes	Parts		9.03-9.07 ⊥ 10.01
A4202A	Model C100 to C110 Upgrade	Parts		9.05-9.07 ⊥ 10.01-11.0/32
A4221A	Model 712/60 to 712/100 Upgrade	Parts		9.03-11.0/32
A4222A	Model 712/80 to 712/100 Upgrade	Parts		9.03-11.0/32

System Processor Upgrade Support by Product Number

Formal Product Number	Abbreviated Product Description	Type	Base Boot ROM	HP-UX Version Support
A4236A	Model 712/60 to 712/80 Upgrade	Parts		9.03-11.0/32
A4237A°	Model J280 to J282 (2-way) Upgrade	Parts	Any	10.20-11.0
A4238A°	Model J200/210/210XC to J282 (2-way) Upgrade	Parts	Any	10.20-11.0
A4277A	Model J200 2nd CPU, PA-7200, 100 MHz	Daughter	Any	10.01-11.0/32
A4278A	Model J210 2nd CPU, PA-7200, 120 MHz	Daughter	Any	10.01-11.0/32
A4279A°	Model J200 to J210 Upgrade	Parts		9.05-11.0/32
A4299A	Model B132L+ 1MB Level 2 cache	Daughter	Any	10.20-11.0/32
A4337A°	Model 715/64 to 715/100XC Upgrade	Parts		9.05-11.0/32
A4338A°	Model 715/80 to 715/100XC Upgrade	Parts		9.05-11.0/32
A4339A°	Model 715/100 to 715/100XC Upgrade	Parts		9.05-11.0/32
A4350A	Upgrade Model 748 from fnsSCSI to fwdSCSI	Parts	Any	9.05-11.0/32
A4476A°	Model J200 to 210XC Upgrade	Parts		9.05-11.0/32
A4478A	Model J210XC 2nd CPU, PA-7200, 120 MHz	Daughter	Any	10.01-11.0/32
A4479A°	Model J210 to 210XC Upgrade	Parts		9.05-11.0/32
A4493A°	Model J200/210/210XC to J282 (1-way) Upgrade	Parts	Any	10.20-11.0
A4508A	Second CPU for Model J282	Parts	Any	10.20-11.0
A4514A Opt. 120	Upgrade Model 744/132L to 744/165L Upgrade Model 748/132L to 748/165L	Board	Any	10.20-11.0/32
A4539A	Model B132L/B160L to B180L upgrade	Parts	Any	10.20-11.0/32
A4580A	Model J210 or J210XC to J280 upgrade	Parts		10.20-11.0
A4943A	Model J282 to J2240	Exchange	Any	10.20-11.0
A4947A	Model C200 to C240 upgrade	Parts	Any	10.20-11.0/32

System Processor Option Support

The following table lists optional features available for one or more HP PA-RISC Workstation processors. Some are also available as field-upgrade kits, having product numbers, and are listed in the appropriate later sections of this document.

More recent processors have few (or no) formal Options. Optional features for those processors are purchased as separate product numbers. Such products usually also offer an Option 0D1 for factory-installation of that product on a processor.

Unlisted SPU Options below are either transparent to software (e.g. localization) or are supported by all software (e.g. RAM).

System Processor Option Support

Formal Product Number	Abbreviated Product Description	Type	Base Boot ROM	HP-UX Version Support
Option ADJ	20-in. 1280x1024 CRT Monitor	RGB	NA	Any
Option ADR	17-in. 1024x768 CRT Monitor	RGB	NA	Any
Option ADV	20-in. 1280x1024 CRT Monitor	RGB	NA	Any
Option ALD	Add EISA slot (non-CRX-24 715, 720 only, std on 730, 4 on 750)	VSC	Any	8.05-10.20 [∇]
Option ALE°	Add 25525A 8-bit ndSCSI i/f	EISA	Any	8.05-10.20 [∇]
Option ALF°	Add 25560A High-Speed HP-IB i/f	EISA	Unsup.	8.05-10.20 [∇]
Option ALG°	Add 25567A 802.3 10Base2/AUI LAN i/f	EISA	Any	8.05-10.20 [∇]
Option ALQ°	Add FDDI-single interface	EISA	No	8.07-10.20
Option AL4°	Add ATR/9000 interface	GIO		9.03-9.07 [∇]
Option AL9	Pre-select AUI LAN (vs. 10Base2 Thin)	Jumper	Any	8.05-11.0/32
Option AMB	Add 3½-in. flexible disk	nsSCSI	Unsup.	8.05-11.0
Option AMG°	Add 2nd 1.3 Gbyte disk	nsSCSI	Any	8.05-11.0
Option AMH°	Add 2nd disk, 420 Mbyte	nsSCSI	Any	8.05-11.0/32
Option AMK°	Add 420 Mbyte disk	nsSCSI	Any	8.07-11.0/32
Option AMW	Add 2.0Gb DDS tape drive, 3½ inch bezel	nsSCSI	Any	8.07-11.0/32
Option AMX	Add 2.0Gb+DC DDS tape drive, 3½ inch bezel	nsSCSI	Any	9.0-11.0/32
Option AMY	Add 2.0Gb DDS tape drive, 5¼ inch bezel	nsSCSI	Any	8.07-11.0/32
Option AMZ	Add 2.0Gb+DC DDS tape drive, 5¼ inch bezel	nsSCSI	Any	9.0-11.0/32
Option AM0°	Add 1st disk, 210 Mbyte	nsSCSI	Any	8.05-10.20
Option AM7°	Add 1.3Gb DDS tape drive	nsSCSI	Any	8.05-10.20
Option AM8	Add CD-ROM drive	nsSCSI	Any	8.05-10.20
Option ANB°	16 MBytes total RAM (2x8)	RAM	Any	9.03-10.01 ¹⁶
Option ANC°	32 MBytes total RAM (4x8)	RAM	Any	9.03-10.20
Option AND	Add 48 Mbytes RAM (64 total)	RAM	Any	8.05 ¹⁵ -11.0/32
Option ANE	64 Mbytes total ECC RAM	var.	Any	9.0-11.0/32
Option ANF	24 MBytes total ECC RAM (2x8 + 2x4)	RAM	Any	9.03-10.01 ¹⁶
Option ANN	Add 32 Mbytes RAM (64 total)	RAM	Any	8.05 ¹⁵ -11.0
Option ANQ	Add 64 Mbytes RAM (128 total)	RAM	Any	8.05-11.0
Option ANS	Subs. 128 Mbytes ECC RAM	RAM	Any	9.0-11.0
Option ANW	Add 192 Mbytes RAM (256 total)	RAM	Any	8.05-11.0
Option ANX	Add 320 Mbytes RAM (384 total)	RAM	Any	8.05-11.0
Option ANY	Add 96 Mbytes RAM (128 total)	RAM	Any	8.05-11.0
Option AN4°	Add 8 Mbytes RAM (24 total)	RAM	Any	8.05-10.10 ¹⁶

System Processor Option Support

Formal Product Number	Abbreviated Product Description	Type	Base Boot ROM	HP-UX Version Support
Option AN8°	Add 16 Mbytes RAM (32 total)	RAM	Any	8.05 ¹⁵ -10.20
Option AQA°	CRX-48Z video and 20-in. 1280 Color CRT Monitor	GSC, RGB	Any	9.05-10.20∇
Option AQC°	GRX video and 19-in. 1280x1024 Gray CRT Monitor	GSC, BNC	Any	9.05-10.20∇
Option AQD°	CRX-8 video and 20-in. 1280 Color CRT Monitor	GSC, RGB	Any	9.05-10.20∇
Option AQF°	HCRX-8 Graphics	E-SGC	Any	9.05-10.20
Option AQG°	HCRX-24 Graphics	E-SGC	Any	9.05-10.20
Option AQH°	HCRX-8Z Graphics	E-SGC	Any	9.05-10.20
Option AQJ°	HCRX-24Z Graphics	E-SGC	Any	9.05-10.20
Option AQK°	CRX-48Z Graphics	E-SGC	Any	9.05-10.20
Option AQM°	Dual CRX-8 Video, two 20-in. Color CRT Monitors	E-SGC, 2xRGB	Any	9.05-10.20
Option AQ2°	12-in. 1024x768 Color LCD Monitor	RGB	Any	9.03-10.20
Option AQ3°	15-in. 1024x768 Color CRT Monitor	RGB	Any	9.03-10.20
Option AQ4°	17-in. 1024x768 Color CRT Monitor	RGB	Any	9.03-10.20
Option AQ5°	17-in. 1280x1024 Color CRT Monitor	RGB	Any	9.03-10.20
Option AQ6°	GRX Video, 19-in. 1280x1024 Gray CRT Monitor	GSC, BNC	Any	9.03-10.20∇
Option AQ7	20-in. 1280x1024 Color CRT Monitor	RGB	Any	9.05-10.20
Option AQ8°	CRX-24 video and 20-in. 1280 Color CRT Monitor	GSC, RGB	Any	9.05-10.20∇
Option AQ9°	CRX-24Z video and 20-in. 1280 Color CRT Monitor	GSC, RGB	Any	9.05-10.20∇
Option AQP°	Add Freedom i/f	GSC	Any	9.05-9.07 ⊥ 10.01-10.20∇
Option AQQ	Add texture map memory	Daughter	Any	10.20
Option AQR	Add video export	GSC	N/A	10.20
Option ATA°	Add 2.0 Gbyte disk	fwdSCSI	Any	9.0-10.20
Option ATB	Add 1.4 MB flexible disk	nsSCSI	Unsup.	9.0-10.20
Option ATK°	Add 260 MB disk	nsSCSI	Any	9.0-10.20
Option ATM°	Add second 1.0 GB disk	fwdSCSI	Any	9.0-10.20
Option AT6	Add 2.0 Gbyte disk	nsSCSI	Any	9.05-10.20
Option AT7°	Add 1.0 Gbyte disk	nsSCSI	Any	9.0-10.20
Option AT8°	Add 1.0 Gbyte disk	fwdSCSI	Any	9.0-10.20
Option AT9°	Add 525 Mbyte disk	nsSCSI	Any	9.0-10.20
Option UFB	Add 240 Mbytes RAM (256 total)	RAM	Any	9.0-11.0
Option UFD	Add 448 Mbytes RAM (512 total)	RAM	Any	9.0-11.0
Option UFE	Add 704 Mbytes RAM (768 total)	RAM	Any	9.0-11.0
Option UFK	Add 176 Mbytes RAM (208 total)	RAM	Any	9.0-11.0
Option UFL	Add 368 Mbytes RAM (400 total)	RAM	Any	9.0-11.0
Option UFM	Add 112 Mbytes RAM (144 total)	RAM	Any	9.0-11.0
Option UFN	Add 224 Mbytes RAM (256 total)	RAM	Any	9.0-11.0
Option UFS	32 MBytes total ECC RAM (2x16)	RAM	Any	9.03-10.20
Option UFT	Add 32 MB RAM (2x32, 64 total)	RAM	Any	9.03-11.0
Option UFU	Add 128 MB RAM 208 total)	RAM	Any	9.03-11.0
Option UFV	Add 320 MB RAM 400 total)	RAM	Any	9.03-11.0
Option UFW	Add 64 MB RAM 144 total)	RAM	Any	9.03-11.0
Option UGA	Add second serial port	GIO	Unsup.	9.03-10.20

System Processor Option Support

Formal Product Number	Abbreviated Product Description	Type	Base Boot ROM	HP-UX Version Support
Option UGB	Add second LAN + 2nd serial port	GIO		9.03-10.20
Option UGC	Add X.25 port plus 2nd serial port	GIO	Unsup.	9.03-10.20
Option UKA	100 MHz CPU	VME 6U		
Option 011	Upgrade 2.0 GB nsSCSI disk to 2.0 GB fwdSCSI	fwdSCSI	1.1	9.0-10.20
Option 013°	Upgrade 525 Mbyte disk to 1.3Gbyte	nsSCSI	Any	9.0-10.20
Option 072	Factory install fwdSCSI and cables	GSC-M	Any	10.20
Option 073	Factory install fnsSCSI	cables	Any	10.20
Option 096	Add 96 Mbytes RAM (128 total)	RAM	Any	8.05 ¹⁵ -11.0
Option 110	Add 4-slot EISA assembly	Card cage	NOP	10.20-11.0/32
Option 111	Add 4-slot PCI-32 5v 1x assembly	Card cage	NOP	10.20
Option 112	Add 112 Mbytes RAM (128 total)	RAM	Any	8.05 ¹⁵ -11.0
Option 176	Add 176 Mbytes RAM (192 total)	RAM	Any	8.05-11.0
Option 201°	64 MHz CPU, no video	VME 6U		9.05-9.07 ⊥ 10.10-10.20
Option 202°	64 MHz CPU, CR8 1280 video	VME 6U		9.05-9.07 ⊥ 10.10-10.20
Option 203°	100 MHz CPU, no video	VME 6U		9.05-9.07 ⊥ 10.10-10.20
Option 204°	100 MHz CPU, CR8 1280 video	VME 6U		9.05-9.07 ⊥ 10.10-10.20
Option 224	Add 224 Mbytes RAM (332 total)	RAM	Any	8.07-11.0
Option 352	Add 352 Mbytes RAM (384 total)	RAM	Any	8.07-11.0

Processor Option Notes:

15. Minimum supported revision is 8.07 if these Options delivered 32Mbyte “2X” memory boards.
16. HP-UX 10.10 minimum RAM is 32 Mbytes.

System Processor RAM Support

HP PA-RISC Workstation system processors use several types of dynamic random access memory (DRAM, or simply RAM) for main system memory.

HP PA-RISC Workstations RAM Designs

In order to provide the memory capacities, performance and reliability required in a workstation, HP workstation RAM SIMMs and DIMMs are not generally identical to those used in PCs

Non-HP RAM is not officially supported. As time permits, information regarding SIMM/DIMM designs is being added to this table, for those who desire to self-support.

HP PA-RISC Workstations RAM Designs

SPU Model	RAM Slots	RAM Design	Speed	Comments
B132L	6, 3 pair	ECC EDO DIMM	50ns	32MB-768MB, pairs required
B132L+	6, 3 pair	ECC EDO DIMM	50ns	32MB-768MB, pairs required
B160L	6, 3 pair	ECC EDO DIMM	50ns	32MB-768MB, pairs required
B180L	6, 3 pair	ECC EDO DIMM	50ns	32MB-768MB, pairs required
C100	12, 6 pair	ECC DIMM		32MB-1.0GB ¹⁷ , pairs required
C110	12, 6 pair	ECC DIMM		32MB-1.0GB ¹⁷ , pairs required
C160	12, 6 pair	ECC DIMM		32MB-1.5GB, pairs required
C160L	12, 6 pair	ECC DIMM, FPM or EDO		32MB-1.0GB, pairs required
C180-XP	12, 6 pair	ECC DIMM, FPM or EDO		32MB-1.5GB, pairs required
C200	12, 6 pair	ECC DIMM, FPM or EDO		
C240	12, 6 pair	ECC DIMM, FPM or EDO		
J200	12, 6 pair			32MB-1GB ¹⁷ , pairs required
J210	12, 6 pair			32MB-1GB ¹⁷ , pairs required
J210XC	12, 6 pair			32MB-1GB ¹⁷ , pairs required
J2240	16, 8 pair	ECC, DIMM		128MB - 2.0 GB, pairs required
J280	16, 8 pair	ECC, FPM or EDO		32MB - 2.0GB, pairs required
J282	16, 8 pair	ECC, DIMM		64MB - 2.0 GB, pairs required
K260-EG	16, 8 pair	ECC SIMM		128-2.0GB, pairs required
K460-EG	32, 16 pair	ECC SIMM		128MB-3.75GB, pairs required
K460-XP	32, 16 pair	ECC SIMM		128MB-3.75GB, pairs required
MPS10°				
705° [35]	8, 2 quads			Must be used in quads
710° [50]	8, 2 quads			Must be used in quads
712/any	4, 2 pair			16-128MB, pairs required
715/33°	6, 3 pair			16-192MB, pairs required
715 ^P [33]				
715 ^P [50]	8, 4 pair			Pairs required
715 ^S [50]				
715/50°	8, 4 pair			16-256, pairs required

HP PA-RISC Workstations RAM Designs

SPU Model	RAM Slots	RAM Design	Speed	Comments
715/64	8, 4 pair			32-256MB, pairs required
715/75	8, 4 pair			32-256MB, pairs required
715/80	8, 4 pair			32-256MB, pairs required
715/100	8, 4 pair			32-256MB, pairs required
720° [/33]	8, 4 pair			Pairs required
725/50°	8, 4 pair			32-256MB, pairs required
725/75	8, 4 pair			32-256MB, pairs required
725/100	8, 4 pair			32-256MB, pairs required
730° [/50]	8, 4 pair			Pairs required
735° [/99]	12, 6 pair			32-400MB, pairs required
735CL [/\nx99]	12@			32-400MB@, pairs required
735/125	12, 6 pair			32-400MB, pairs required
742i [/50]	2, 1 pair			16-64MB, pairs required
743i/64, /100	2	Custom daughter		8-256MB
743i/64	4			8-256MB
743i/100	4			8-256MB
744/132L				_256MB
745i/50, /100	4, 2 pair			16-128MB, pairs required
747i/50, /100	4, 2 pair			16-128MB, pairs required
748i/64, /100				8-256MB
748/132L				_256MB
750° [/66]	6, 3 pair			Pairs required
755 [/99]	12, 6 pair			64-768MB, pairs required
755/125	12, 6 pair			64-768MB, pairs required

Ram Design Notes:

17. Maximum RAM prior to 10.0 is 768 Kbytes.

RAM Support by RAM Product Number

HP-UX 10.20 requires a minimum of 16 MB RAM. HP-UX 11.0 requires a minimum of 32 MB.

Unless otherwise specified in the “Comments” column of the following table, HP PA-RISC Workstation system processors require that RAM slots be used in pairs.

“Pairs” means that RAM slots must be used two at a time, and that both adjacent slots must be occupied by a RAM SIMM/DIMM of identical size and design.

This does not generally mean that you must purchase a pair of (quantity 2) of the RAM product number. In gen-

eral, when RAM pairing is required, the RAM SIMM/DIMM product is structured as a pair.

The real significance of “pairs required” is that you cannot usually purchase quantity-one of a single RAM product and split the SIMM/DIMMs for use in separate comput-

ers.

RAM Product Support

Formal Product Number	Description	Type	SPU Hardware Support	Comments
A1978A ^{oo}	8 MB (2, 4MB@)		Models 720, 730, 750, 755/99, 755/125	Quads required
A1979A	16 MB (2, 8MB@)		Models 720, 730, 735/lall, 750	
A1987A	32 MB (2, 16MB@)		Model 750	
A2201A	8 Mbyte ECC RAM (one)		Model 710e	
A2202A	16 MB (one)		Models 710e, 745i	
A2216A	8 Mbyte RAM pair (2, 4MB@)		Models 705, 710	Excluding Model 710e.
A2217A	16 Mbyte RAM pair (2, 8MB@)		Models 705, 710	Excluding Model 710e.
A2218A	32 Mbyte RAM pair (2, 16MB@)		Models 705, 710	Excluding Model 710e.
A2512A ^o	32 MB (2, 16MB@), 72-pin		Models 720, 730, 735/99, 735/125, 750, 755/99, 755/125	Note ¹⁸
A2513A ^o	64 MB (2, 32MB@), 72-pin		Models 750, 755/99, 755/125	Note ¹⁸
A2518A ^o	128 MB (2, 64MB@), 72-pin		Models 755/99, 755/125	
A2521A	96Mb Model 720 CPU Upgrade		Model 720	Includes CPU chip and other parts.
A2522A	128Mb Model 720 CPU Upgrade		Model 720	Includes CPU chip and other parts.
A2531A ^o	96Mb Model 730 CPU Upgrade		Model 730	
A2532A	128Mb Model 730 CPU Upgrade		Model 730	Includes CPU chip and other parts.
A2533A ^o	256Mb Model 750 Upgrade		Model 750	
A2534A ^o	384Mb Model 750 Upgrade		Model 750	
A2562A	64Mb Model 720 RAM Upgrade		Model 720	
A2567A	64Mb Model 730 RAM Upgrade		Model 730	
A2577A	8 MB (2, 4MB@), 72-pin		Models 712/60, 712/80, 712/100, 715/64, 715/80, 715/100, 715/100XC, 725/100	
A2578A	16 MB (2, 8MB@), 72-pin		Models 712/60, 712/80, 712/100, 715/64, 715/80, 715/100, 715/100XC, 725/100, v743	
A2646A ^o	64 MB (2, 32MB@), 72-pin		Models 735/lall, 750/lall, 755/lall	
A2668A	32Mb Model 720 RAM Upgrade		Model 720	
A2669A ^o	32Mb Model 730 RAM Upgrade		Model 730	Includes CPU chip and other parts.
A2815A	8 MB (2, 4MB@), 72-pin		Models 715/33, 715/50, 715/75, 725/50, 725/75, 742i, 745i/50, 745i/100, 747i/50, 747i/100	HP-UX 9.0-10.20 ∇
A2816A	16 MB (2, 8MB@), 72-pin		Models 715/33, 715/50, 715/75, 725/50, 725/75, 742i, 745i/50, 745i/100, 747i/50, 747i/100	HP-UX 9.0-10.20 ∇
A2827A	64 MB (2, 32MB@), 72-pin		Models 712/60, 712/80, 712/100, 715/33, 715/64, 715/75, 715/80, 715/100, 725/50, 725/75, 725/100, 715/100XC, 742i, v743, 745i, 745i/50, 745i/100, 747i/50, 747i/100	HP-UX 9.0-11.0/32
A2829A	2 MB (2, 16MB@), 72-pin		Models 712/60, 712/80, 712/100, 715/33, 715/64, 715/75, 715/80, 715/100, 715/100XC, 725/50, 725/75, 725/100, 742i, v743, 745i, 745i/50, 745i/100, 747i/50, 747i/100	
A2875A	128 MB (2, 64MB@), 72-pin		Models 725/50, 725/75, 725/100, 745i/100, 747i/100	
A3026A	32 MB (2, 16MB@)	ECC SIMM	C100, C110, EPS20, J200, J210, J210XC, J280, J282 and K-Class	
A3027A	128 MB (2, 64MB@)	ECC SIMM	C100, C110, EPS20, J-Class and K-Class	

RAM Product Support

Formal Product Number	Description	Type	SPU Hardware Support	Comments
A3483A	256 MB (2, 128MB@)	ECC EDO SIMM	K-Class	
A3543A	64 MB (2, 32MB@)	ECC SIMM	K-Class	
A3737A	512 MB (2, 256MB@)	ECC EDO DIMMs	Model J2240	
A4177A	256 MB (2, 128MB@)	50nS ECC EDO SIMM	Models B132L, B160L, C160, C180-XP, B132L, B160L, J210XC, J282	
A4207A	32 MB (2, 16MB@)	ECC FPM DIMM	Models B132L, B160L, C100, C110, C160, C160L, C180-XP, J-Class	
A4208A	128 MB (2, 64MB@)	ECC FPM DIMM	Models B132L, B160L, C160, C160L, C180-XP, J200, J210, J210XC, J280	J282 for upgrades only
A4209A	64 MB (2, 32MB@)	ECC FPM DIMM	Models B132L, B160L, C100, C110, C160, C160L, C1800, J-Class	C100/110 ¹⁹ J200/210/210XC ²⁰
A4263A	8 MB (1, 8MB@)	Daughter	TelePACE, Models 743i/64, 743i/100, 748i/64, 748i/100	Max 2 cards
A4264A	16 MB (1, 16MB@)	Daughter	TelePACE, Models 743i/64, 743i/100, 748i/64, 748i/100	Max 2 cards
A4265A	32 MB (1, 32MB@)	Daughter	TelePACE, Models 743i/64, 743i/100, 748i/64, 748i/100	Max 2 cards
A4266A	64 MB (1, 64MB@)	Daughter	TelePACE, Models 743i/64, 743i/100, 748i/64, 748i/100	Max 2 cards
A4299A	1 MB 2nd-Level Cache	Daughter	Models B132L+, C160L	Max 1
A4449A	128 MB (1, 128MB@)	EDO	Models 744/132L, 744/165L, 745/132L, 748/132L, 748/165L	
A4501A	16 MB (1, 16MB@)		Model 744rt only	
A4502A	32 MB (1, 32MB@)	ECC	Models 744/132L, 744/165L, 745/132L, 748/132L, 748/165L	
A4503A	64 MB (1, 64MB@)	ECC	Models 744/132L, 744/165L, 745/132L, 748/132L, 748/165L	
A4515A	64 MB (2, 32MB@)	ECC EDO DIMM, 50ns	Models B132L+, B180L	
A4516A	128 MB (2, 64MB@)	ECC EDO DIMM, 50ns	Models B132L+, B180L, C200, C240, J2240, J282	
A4517A	256 MB (2, 128MB@)	ECC EDO DIMM, 50ns	Models B132L+, B180L, C200, C240, J2240, J282	
A4984A	512 MB (2, 256MB@)	ECC EDO DIMM	Model J2240	
98229x°	4 Mbytes		Models 715s/t	9.0-9.07 ⊥ 10.01-10.20 ∇

RAM Product Support Footnotes

18. CPU board exchange required if SPU serial number below:
 Model s/n
 720 3217G09042
 730 3218G01093
 750 3130G00261 or less than 3130G00102
19. C100/C110 require PDC firmware revision 1.2 or greater.
20. J200/210/210XC require PDC firmware 1.9 or greater.

Mass Storage Devices

All HP PA-RISC Workstation support some varieties of SCSI (Small Computer Systems Interface) disk interfaces.

Fibre Channel (FC-AL) is available for selected Models.

Depending on processor model, flexible disk drives may be support via nsSCSI or PC-style (FDD) floppy bus.

A CS/80 driver is provided for HP-IB cartridge tape drives, and continuing editions of this matrix will reflect what is known about the use of that software with CS/80 and SS/80 disks. Those known to be non-functional are so noted.

All devices listed as type "CS/80" or "SS/80" employ an HP-IB interface. CS/80 and SS/80 devices may be used

only with the 25560A EISA HP-IB card. These drivers are non-functional with the E2070A/B, E2071A, 82335B and other ISA HP-IB cards. No AMIGO disks are listed.

Many disk products are made by Hewlett-Packard for the OEM market. A number of these are listed here, and few are officially supported on workstation HP-UX at the system level. The balance may or may not be directly supported on HP-UX directly by HP's Disk Memory Division, as noted.

Retail and OEM disks often have different firmware than supported HP workstation disks, and may not operate at all, or may operate with reduced performance and functionality.

Supported disks are identified by the HP product number used to order them, which normally appears on a physical label on the drive or enclosure. The drive may identify differently to the *scsiinfo(1M)* or *diskinfo(1M)* command.

The "Min. Boot ROM" column indicates the minimum revision of SPU ROM code required to boot an operating system, recovery system or diagnostic kernel from the device. Booting from HP-IB devices is not possible (no ROM).

Internal Hard Disks

The product number shown are generally for post-sale upgrade kits, but also cover the same disk when standard or factory-installed.

Internal Hard Disks

Vendor & Product Number	Abbreviated Product Description	Type	Min. Boot ROM	Hardware Qualification and Support	HP-UX Support
HP A1440A ^{oo}	200/210 MByte ²²	nsSCSI	Unsup.	Model 715t	9.0-9.07 ⊥ 10.01-10.20 ∇
HP A1442A ^{oo}	330 MByte	nsSCSI	Unsup.	Model 715s	9.0-9.07 ⊥ 10.01-10.20 ∇
HP A1443A ^{oo}	660 MByte	nsSCSI	Unsup.	Model 715s	9.0-9.07 ⊥ 10.01-10.20 ∇
HP A1444A ^{oo}	660 MByte	nsSCSI	Unsup.	Model 715s	9.0-9.07 ⊥ 10.01-10.20 ∇
HP A1980A ^{oo}	210 MByte, 1st ²²	nsSCSI	Any	Models 720, 730, 735/99, 735/125	8.05-10.20 ∇
HP A1981A ^{oo}	210 MByte, 2nd	nsSCSI	Any	Models 720, 730, 735/99, 735/125	8.05-10.20 ∇
HP A1982A ^o	420 MByte, 1st	nsSCSI	Any	Models 720, 730, 735/99, 735/125	8.05-10.20 ∇
HP A1983A	420 MByte, 2nd	nsSCSI	Any	Models 720, 730, 735/99, 735/125	8.05-10.20 ∇
HP A1988A ^{oo}	660 MByte	nsSCSI	Any	Models 750, 755/99, 755/125	8.05-10.20 ∇
HP A1989A ^o	1.3 GByte	nsSCSI	Any	Models 750, 755/99, 755/125	8.05-10.20 ∇
HP A2071A ^{oo}	s400 210 MByte ²²	nsSCSI	Any	Model 710e	8.05-9.07 ⊥ 10.01-10.20 ∇
HP A2072A	s400 420 MByte	nsSCSI	Any	Model 710e	8.05-9.07 ⊥ 10.01-10.20 ∇
HP A2075A ^o	s400 420 MByte	nsSCSI	Unsup.	Model 715t	9.0-9.07 ⊥ 10.01-10.20 ∇
HP A2076A ^o	s400 1.3 GByte	nsSCSI	Unsup.	Model 715t	9.0-9.07 ⊥ 10.01-10.20 ∇
HP A2219A ^{oo}	210 MByte ²²	nsSCSI	Set.A	Models 705, 710 ²¹	8.07-9.07 ⊥ 10.01-10.20 ∇
HP A2221A ^o	420 MByte	nsSCSI	Set.A	Models 705, 710 ²¹	8.07-9.07 ⊥ 10.01-10.20 ∇

Internal Hard Disks

Vendor & Product Number	Abbreviated Product Description	Type	Min. Boot ROM	Hardware Qualification and Support	HP-UX Support
HP A2444A°	566 MByte	nsSCSI	Unsup.	Series 800	Unsup.
HP A2445A°	1.0 GByte	nsSCSI	Any	K-Class	10.01-10.20
HP A2446A°	2.0 GByte	nsSCSI	Unsup.	Series 800	Unsup.
HP A2251...9A (all°)	Series 300 internal	nsSCSI	Unsup.	Unsupported	Unsup.
HP A2556A°	2.0 GByte 8-bit	nsSCSI	1.1	Models 755/99, 755/125	9.0-10.20∇
HP A2563A°	1.0 GByte, 8-bit	nsSCSI	1.1	Models 735/99, 735CL, 735/125	9.0-10.20∇
HP A2564A°	2.0 GByte, 16-bit	fwdSCSI	1.1	Models 755/99, 755/125	9.0-10.20∇
HP A2565A°	525 MByte	nsSCSI	1.1	Models 735/99, 735CL, 735/125	9.0-10.20∇
HP A2566A°	1.0 GByte, 16-bit	nsSCSI	1.1	Models 735/99, 735CL, 735/125	9.0-10.20∇
HP A2640A°	525 MByte	nsSCSI	Any	Models 745i, 747i, 748i	9.0-11.0/32
HP A2641A°	1.0 GByte	nsSCSI	Any	Models 745i, 747i, 748i	9.0-11.0/32
HP A2800A°	525 MByte	nsSCSI	1.1	Models 715/33, 715/50, 715/64, 715/80, 715/100, 725/100	9.0-11.0/32
HP A2801A°	1.0 GByte	nsSCSI	IODC 1.1	Models 715/33, 715/50, 715/64, 715/75, 715/80, 715/100, 715/100XC, 725/100	9.0-11.0/32
HP A2809A°	525 MByte	nsSCSI	1.1	Model 725	9.0-10.20∇
HP A2813A°	1.0 GByte	nsSCSI	1.1	Model 725	9.0-10.20∇
HP A2832A°	1.0 GByte	fwdSCSI	Any	Model 735	9.0-10.20∇
HP A2885A°	1.0 GByte	nsSCSI	Any	Model 715t	8.0-9.07 ⊥ 10.01-10.20∇
HP A2886A°	1.0 GByte	nsSCSI	Any	Model 735/[all]	9.0-10.20∇
HP A2958A°	535 MB	nsSCSI	Unsup.	Series 800	Unsup.
HP A3025A°	Two 2.0 GByte	nsSCSI	Any	K-Class	
HP A3058A	1 GB	fwdSCSI	Unsup.	Series 900	Unsup.
HP A3087A°	2 GB	nsSCSI	Unsup.	Series 900	Unsup.
HP A3145A	2 GB	fwdSCSI	Unsup.	Series 800	Unsup.
HP A3182A	1 GB	??SCSI	Any	K-Class	10.01-10.20
HP A3191A°	2 GB	??SCSI	Unsup.	Series 800	Unsup.
HP A3304A	2 GB	nsSCSI	Unsup.	Series 800	Unsup.
HP A3349A°	1.0 GB	nsSCSI	Unsup.	Series 800	Unsup.
HP A3350A°	1 GB	fwdSCSI	Any	EPS20, K-Class	10.01-10.20
HP A3351A	2 GB	fwdSCSI	Any	EPS20, K-Class	10.01-10.20
HP A3352A	4 GB	nsSCSI	Unsup.	Series 800	Unsup.
HP A3353A	4 GB	fwdSCSI	Note ²⁶	EPS20, K-Class	10.01-10.20
HP A3629A	9 GB	fwdSCSI	Unsup.	Unsupported. S800 product.	Unsup.
HP A4065A°	260 MByte ²²	nsSCSI	Any	Model 712	9.03-11.0/32
HP A4066A°	525 MByte	nsSCSI	Any	Model 712	9.03-11.0/32
HP A4067A°	1.0 GByte	nsSCSI	Any	Model 712	9.03-11.0/32
HP A4117A°	1.0 GByte	fwdSCSI	Any	Models 715/100, J200, J210, J210XC, J280, J282	9.05-11.0
HP A4118A°	2.0 GByte	nsSCSI	Any	Models 715/64, 715/80, 715/100, 715/100XC, 725/100	9.03-11.0/32
HP A4119A	2.0 GByte, 3.5FF, 1-inch high	fwdSCSI	Any	Models C100, C110, 715/100, J200, J210, J210XC, J282	9.05-11.0

Internal Hard Disks

Vendor & Product Number	Abbreviated Product Description	Type	Min. Boot ROM	Hardware Qualification and Support	HP-UX Support
HP A4137A	Model 362/382 disks	nsSCSI	N/A	Unsupported	Unsup.
HP A4213A	2.0 GByte	nsSCSI	Any	B-Class	10.20-11.0/32
HP A4214A	2.0 GByte	fwdSCSI	Any	B132L (not +), B160L, requires A2889A daughter card	10.20-11.0/32
HP A4272A	2.0 GByte	nsSCSI	Any	Models 712, 715/64, 735/99, 735/125	9.03-11.0/32
HP A4273A°	2.0 GByte	fwdSCSI	Any	Models 735/99, 735/125	9.05-10.20√
HP A4274A°	2.0 GByte	nsSCSI	Any	Models 735/99, 735/125	9.0-10.20√
HP A4275A°	2.0 GByte, second	fwdSCSI	Any	Models 735/99, 735/125	9.05-10.20√
HP A4280A°	525 MB	nsSCSI	Unsup.	Series 300	Unsup.
HP A4321A°	1.0 GByte	nsSCSI	Any	Models 745 <i>i</i> , 747 <i>i</i> , 748 <i>i</i>	9.03-11.0/32
HP A4322A	2.0 GByte	nsSCSI	Any	TelePACE, Models 743, 744/lall, 745/50, 745/100, 747 <i>i</i> , 748/lall	9.03-10.20√
HP A4351A	2.0 GByte	fwdSCSI	Any	TelePACE, Models 743, 744, 748i/lall	9.03-11.0/32
HP A4356A	4.0 GByte, 3.5FF, 1-inch high	fwdSCSI	Note ²⁶	J-Class, Model 755/125	10.01-11.0/32
HP A4459A	9.0 Gbyte	fwdSCSI	NOP	Models 743, 744, 748i/64, 748i/100, 748/132L, 748/165L	10.01-11.0/32
HP A4460A	2.0 GByte, 1.0-in. FF	fwdSCSI	Any	Model C110, C160, C160L, C180-XP	10.20-11.0
HP A4461A	4.0 GByte, 1.6-in. FF	fwdSCSI	Note ²⁶	C-Class	9.05-11.0
HP A4477A	4.0 Gbyte	fwdSCSI	Note ²⁶	B-Class	10.20-11.0/32
HP A4480A	4.0 GByte	fwdSCSI	Note ²⁶	Model 725/100	10.01-11.0/32
HP A4482A	4.0 GByte	fwdSCSI	Note ²⁵	Models 743, 744, 748i/64, 748i/100, 748/132L, 748/165L	10.01-11.0/32
HP A4483A	4.0 Gbyte	nsSCSI	Note ²⁶	B-Class	10.01-11.0/32
HP A4484A	4.0 Gbyte	nsSCSI	Note ²⁶	Models 743, 744, 745/132L, 748/132L, 748/165L	10.01-11.0/32
HP A4485A	9.0 Gbyte, 3.5FF	fwdSCSI	Note ²⁷	J-Class	10.01-11.0
HP A4486A	9.0 Gbyte	fwdSCSI	Note ²⁷	C-Class	10.01-11.0
HP A4568A°	2.0 GB, 3.5x1FF	uwsSCSI	Any	Models B132L+, B180L	10.20-11.0/32
HP A4569A	4.0 GB, 3.5x1FF	uwsSCSI	Any	Models B132L+, B180L, C200, C240, J2240	10.20-11.0
HP A4570A	9.0 GB, 3.5x1.6FF	uwsSCSI	Any	Models B132L+, B180L, C200 (Standard on C240), J2240	10.20-11.0
HP A4958A	2 GB	nsSCSI	Any	Model 712/100	9.05-11.0/32
HP C2281°,82A°	Series 800 Internal	HP-IB	NOP	Mechanically Incompatible	Unsup.
HP C2490A°	2.1 GByte 3.5-in. OEM	xxSCSI	Unsup.	Unsupported. Boot failures have been reported.	Unsup.
HP C2490D°	2.1 GByte 3.5-in. OEM	ndSCSI	Unsup.	Unsupported	Unsup.
HP C2490SE°	2.1 GByte 3.5-in. OEM	nsSCSI	Unsup.	Unsupported	Unsup.
HP C2490W°	2.1 GByte 3.5-in. OEM	fwdSCSI	Unsup.	Unsupported	Unsup.
HP C3010	2.0 GB 5.25 mech.	xxSCSI	Note ²⁵	Note ²⁵	Note ²⁵
HP D168xA°	Hard disks for <i>Vectra</i>	nsSCSI	Unsup.	Unsupported	Unsup.
HP D2075°A/B	535 MB for PC	nsSCSI	Unsup.	Unsupported	Unsup.
HP D2076°A/B	1.05 GB, for HP NetServer	nsSCSI	Unsup.	Unsupported	Unsup.

Internal Hard Disks

Vendor & Product Number	Abbreviated Product Description	Type	Min. Boot ROM	Hardware Qualification and Support	HP-UX Support
HP D2077A	2.1 GB, for HP NetServer	nsSCSI	Unsup.	Unsupported	Unsup.
HP D2645A°	1.0GB	nsSCSI	Unsup.	Unsupported	Unsup.
HP D2653A°	1.0GB	nsSCSI	Unsup.	Unsupported	Unsup.
HP D2769A	2 GB, for PC	unsSCSI	Unsup.	Unsupported	Unsup.
HP D2797A	4 GB, for PC	unsSCSI	Unsup.	Unsupported	Unsup.
HP D2788A	2.1 GB	fnsSCSI	Unsup.	Unsupported. PC device.	Unsup.
HP D2794A	4.5 GB	fnsSCSI	Unsup.	Unsupported. PC device.	Unsup.
HP D3340A°	2.1 GB, for HP NetServer	nsSCSI	Unsup.	Unsupported	Unsup.
HP D3341A	4.0 GB, for HP NetServer	nsSCSI	Unsup.	Unsupported	Unsup.
HP D3581A°	1.05 GB NetServer removable	fwdSCSI	Unsup.	Unsupported	Unsup.
HP D3582A/B	2.1 GB NetServer removable	fwdSCSI	Unsup.	Unsupported	Unsup.
HP D3583A°/B	4.2 GB NetServer removable	fwdSCSI	Unsup.	Unsupported	Unsup.
HP D4289A	9.1 GB NetServer removable	uwsSCSI	Unsup.	Unsupported	Unsup.
HP D4884B	2 GB disk	nsSCSI	Unsup.	Unsupported	Unsup.
HP D4903A	4 GB Hot-Swap drive	uwsSCSI	Unsup.	Unsupported	Unsup.
HP D4910A	4.2 GB NetServer	uwsSCSI	Unsup.	Unsupported	Unsup.
HP D4911A	9.1 GB NetServer	uwsSCSI	Unsup.	Unsupported	Unsup.
HP D4956A	2 x 4.2 GB disk tray	nsSCSI	Unsup.	Unsupported	Unsup.
HP D4963A	4.2 GB NetServer	nsSCSI	Unsup.	Unsupported	Unsup.
HP D5039A	18 GB hot-swap	uwsSCSI	Unsup.	Unsupported	Unsup.
HP D5368A°/B	4.5 GB, low-profile, 7200 rpm	uwsSCSI	Unsup.	Unsupported	Unsup.
HP D5369A	9 GB, 1.6-inch, 7200 rpm	uwsSCSI	Unsup.	Unsupported	Unsup.
HP D5481A	4.5 GB, low-profile, 10,000 rpm	uwsSCSI	Unsup.	Unsupported	Unsup.
HP D6019A	9.1 GB 10,000 rpm hot-swap	uwsSCSI	Unsup.	Unsupported	Unsup.
HP D6104A	4.2 GB 7200 rpm hot-swap	uwsSCSI	Unsup.	Unsupported	Unsup.
HP D6106A	9.1 GB 7200 rpm hot-swap	uwsSCSI	Unsup.	Unsupported	Unsup.
HP D6107A	9.1 GB 10,000 rpm hot-swap	uwsSCSI	Unsup.	Unsupported	Unsup.
HP D6108A	18 GB 7200 rpm hot-swap	uwsSCSI	Unsup.	Unsupported	Unsup.
HP E1562A	ns/ndSCSI controller, 2.1 GB Mbyte disk and 4 GB DDS, for VXI systems	VXI-C		Model v743	9.05-10.10
HP E1562B	ns/ndSCSI controller, dual 2.1 GB Mbyte disk and 4 GB DDS, for VXI systems	VXI-C		Model v743	9.05-10.10
HP E1562C	2GB Mbyte dual hard, 4GB DDS, for VXI systems	VXI-C, ndSCSI		Model v743	9.05-10.10
HP E3249A	2.1 GB hard drive, 4 GB DDS	nsSCSI,VXI-Cx2			
HP E4208A°	525 Mbyte hard, and 21 MB floptical for VXI systems	VXI-C, nsSCSI		Model v743	9.05-10.10
HP E4208B°	1Gb hard, and 21 MB floptical for VXI systems	VXI-C, nsSCSI		Model v743	
HP E4208C	2.1 GB HDD and 1.44MB floppy	VXI-C, nsSCSI		Model v743	

Internal Hard Disks

Vendor & Product Number	Abbreviated Product Description	Type	Min. Boot ROM	Hardware Qualification and Support	HP-UX Support
HP S2375A°	1.0 GB	nsSCSI	2.0	Diskless Models 705, 710	9.01-9.07 ⊥ 10.01-10.10
HP 97650	1.3 GB mech.	nsSCSI	Note ²⁵	Note ²⁵	Note ²⁵
HP 98433D°	Model 345 200 Mb	nsSCSI	Unsup.	Unsupported	Unsup.
Complementary Hardware Vendors		Note: Listing of CHV devices implies no endorsement or support of them by HP. All hardware and software support claims are drawn from information published by the CHV device supplier.			
SEJUS					
99318A#C22F	"V/disk" 2-slot VXI peripheral module	VXI		Vendor Supported	
#FDH2000, DTT2	1.2 GB hard and 2.0GB 4mm DDS	nsSCSI		Vendor Supported	
#FDH2000, CDROMHP	2.0 GB hard and CD-ROM	nsSCSI		Vendor Supported	

Internal Hard Disk Notes:

- | | | |
|---|---|--|
| <p>21. Not supported on Model 710e (upgraded Model 425e).</p> <p>22. This disk is too small to support the entire HP-UX run-time product.</p> <p>23. LVM (Logical Volume Manager) is required on the disk when used as boot device.</p> | <p>24. The only supported versions of this device are the A2288-69002 and A2288-69003.</p> <p>25. The only supported version of this device is the A1095-69008.</p> | <p>26. 4 GB drives are bootable only on 10.01 and later. They may be used as data disks (mounted volumes) on some earlier releases. LVM is required if boot disk.</p> <p>27. 9 GB drives are bootable and mountable only on 10.01 and later. LVM is required in all cases.</p> |
|---|---|--|

External Hard Disks

External hard disks are supplied in an enclosure with their own power supply (except for upgrades to multi-drive products).

This section also includes internal hard disk assemblies that are used exclusively in external storage enclosures.

For information on SCSI abbreviations, see “SCSI Notation” on page 127.

External Hard Disks

Vendor & Product Number	Abbreviated Product Description	Type	Min. Boot ROM	Hardware Qualification and Support	HP-UX Support
HP A1993A°	2@1.4 GB	nsSCSI	Any		
HP A2657A°	1.0 GByte	nsSCSI	Any	All Models	9.0-11.0
HP A3231A°	Model 10 High Availability disk array rack	fwdSCSI, RS232	Unsup.	EPS20	10.01-10.20
HP A3232A°	Model 20 High Availability disk array rack	fwdSCSI, RS232	Unsup.	EPS20	10.01-10.20
HP A3308A	DeskTop High-availability storage system (HASS)				
HP A3311A	Deskside storage cabinet (HASS)	SCSI ²⁸		All Models, generally, but depends on devices installed.	9.05-9.07 ⊥ 10.01-10.20, Note ²⁹
HP A3312A/AZ	Rackmount storage cabinet (HASS)	SCSI ²⁸		All Models, generally, but depends on devices installed.	9.05-9.07 ⊥ 10.01-10.20, Note ²⁹
HP A3317A°	2 GB disk for A3311/12A	nsSCSI	Any	All Models	9.05-9.07 ⊥ 10.01-10.20
HP A3318A	2 GB disk for A3311/12A	fwdSCSI	Any	All fwdSCSI Models	9.05-9.07 ⊥ 10.01-10.20
HP A3319A°	4 GB disk for A3311/12A	nsSCSI	Note ⁴⁰	All Models	9.05-9.07 Data only 10.01-10.20 Bootable
HP A3320A°	4 GB disk for A3311/12A	fwdSCSI	Note ⁴⁰	All fwdSCSI Models	9.05-9.07 Data only 10.01-10.20 Bootable
HP A3388A°	Model 10 High Availability disk array rack	fwdSCSI, RS232	Unsup.	EPS20	10.01-10.20
HP A3389A°	Model 20 High Availability disk array rack	fwdSCSI, RS232	Unsup.	EPS20	10.01-10.20
HP A3396A°	4 GB add-on disk	fwdSCSI		All Models	9.05-9.07 ⊥ 10.01-10.20
HP A3511A/AZ	High-availability storage system				
HP A3515A	AutoRAID Model 12 deskside	fwdSCSI	Note ³⁹	C-Class, J-Class, K-Class, Models 725/100, 735/125, 755/125	10.10-10.20
HP A3516A	AutoRAID Model 12 rack-mountable	fwdSCSI	Note ³⁹	C-Class, J-Class, K-Class, Models 725/100, 735/125, 755/125	10.10-10.20
HP A3516AZ	AutoRAID Model 12, factory-racked	fwdSCSI	Note ³⁹	C-Class, J-Class, K-Class, Models 725/100, 735/125, 755/125	10.10-10.20
HP A3517A°	2.1 GB add-on for HASS	fwsSCSI	⇒	See hosting AutoRAID	⇐
HP A3539A	HA Disk Array Model 10, deskside	fwdSCSI	Note ³⁵	J-Class w/A4107A, all s700 Models with fwdSCSI	9.05-9.07 ⊥ 10.01-10.20
HP A3540A/AZ	HA Disk Array Model 20, rackable	fwdSCSI	Note ³⁵	J-Class w/A4107A, all s700 Models with fwdSCSI	9.05-9.07 ⊥ 10.01-10.20
HP A3549A°	Model 20/SP620 High Availability array, deskside	fwdSCSI	Note ³⁵	J-Class w/A4107A, all Models with fwdSCSI	9.05-9.07 ⊥ 10.01-10.20
HP A3550A°	Model 20/SP620 High Availability array, rack-mount	fwdSCSI	Note ³⁵	J-Class w/A4107A, all Models with fwdSCSI	9.05-9.07 ⊥ 10.01-10.20
HP A3628A	9 GB HDD	fnsSCSI		Unsupported	
HP A3646A	4.3 Gbyte LP	nsSCSI	Note ⁴⁰	All Models supporting A3311/12A	10.01-10.20

External Hard Disks

Vendor & Product Number	Abbreviated Product Description	Type	Min. Boot ROM	Hardware Qualification and Support	HP-UX Support
HP A3647A	4.3 Gbyte LP	fwdSCSI	Note ⁴⁰	All fwdSCSI Models supporting A3311/12A	10.01-10.20
HP A3649A	9 Gbyte LP	fwdSCSI	Note ⁴¹	All fwdSCSI Models supporting A3311/12A	10.01-10.20
HP A3660A	4 GB HDD	fnsSCSI		Unsupported	
HP A3661A°/B/AZ°/BZ	Model 30/FC, Fibre Channel disk array	FC-AL	NOP	K-Class	10.20
HP A3666A	4 GB add-on disk	fwdSCSI		All fwdSCSI Models	9.05-9.07 ⊥ 10.01-11.0
HP A3700A	AutoRAID Model 12H, rackmount	fwdSCSI		All fwdSCSI Models	10.01-10.20
HP A3700AD	AutoRAID Model 12H, deskside	fwdSCSI		All fwdSCSI Models	10.01-10.20
HP A3700AZ	AutoRAID Model 12H, racked	fwdSCSI		All fwdSCSI Models	10.01-10.20
HP A4820A	Disk Storage Cabinet	uwsSCSI	N/A	Unsupported (S- and X-Class device)	Unsup.
HP A4821A	9 GB Disk Module	uwsSCSI		All Models supporting A4820A	←
HP A4910A	9 GB, hot-swappable	fwdSCSI	Unsup.	Unsupported. D-Class product.	Unsup.
HP A4912A	9 GB, hot-swappable	fwsSCSI	Unsup.	Unsupported. D-Class product.	Unsup.
Series 6000 Enclosures					
HP C2200A°	Model 335H (335 MByte)	CS/80	NOP	Unsupported	Unsup.
HP C2202A°	Model 670XP (Model 670H w/ cache)	CS/80	NOP	Unsupported	Unsup.
HP C2203A°	Model 670H (670 MByte hard)	CS/80	NOP	Unsupported	Unsup.
Series 6000 for HP-UX					
HP C2212A°	Model 330/S (330 MByte)	nsSCSI	Any	Upgraded Series 400 Models only. Known to not work on 712.	8.07-9.07 ⊥ 10.01-10.20 ∇
HP C2213A°	Model 660/S (660 MByte)	nsSCSI	Any	All Models	8.07-10.20 ∇
Option 001°	(300 MByte HDA: see C2290A)				
Option 002°	(see C2291A)				
Option 022°	(660 MByte HDA: see C2291A)				
Option 024°	(see C2293A)				
Series 6000 for DOMAIN					
HP C2212D°	Model 330/D (330 MByte)	nsSCSI	Unsup.	400 Upgrades only. Requires A2833A° kit.	9.0-9.07 ⊥ 10.01-10.20 ∇
HP C2213D°	Model 660/D (660 MByte)	nsSCSI	Unsup.	400 Upgrades only. Requires A2833A° kit.	9.0-9.07 ⊥ 10.01-10.20 ∇
Series 6000 Single-Ended					
HP C2214B°	Model 1350S (1.3 GByte)	nsSCSI	Any	All Models	8.07-10.20 ∇
HP C2216T°	Model 670SE (Tower; 670 MByte)	nsSCSI	Any	All Models	8.07-10.20 ∇
HP C2217T°	Model 1350SE (Tower; 1.3 GByte)	nsSCSI	Any	All Models	8.07-10.20 ∇
HP C222x°A/B	Upgrades for C2260...69A	nsSCSI	Unsup.	Unsupported. Use C2216/17T	Unsup.
HP C2220...29M°	Upgrades for C2269E/M	mcSCSI	Unsup.	Unsupported. Use C2216/17T	Unsup.
HP C2235°	425MB 3.5-in. mech	nsSCSI	Note ³⁰	Note ³⁰	Note ³⁰
HP C2247°	1.0 GB 3.5 mech.	xxSCSI	Note ³¹	Note ³¹	Note ³¹
HP C2249M°	422 Mb upgrade for C2269E/M	mcSCSI	Unsup.	Unsupported.	Unsup.
HP C2251...59	Storage System	HP-FL	Any	K-Class	10.01-10.20

External Hard Disks

Vendor & Product Number	Abbreviated Product Description	Type	Min. Boot ROM	Hardware Qualification and Support	HP-UX Support
HP C2260A°	PC Storage Tower & interface	EISA	No	Unsupported. Use C2216/17T	No Driver
HP C2261A°	PC Storage Tower & interface	ISA	No	Unsupported. Use C2216/17T	No Driver
HP C2269A°	PC Storage Tower w/o interface	nsSCSI	Unsup.	Unsupported. Use C2216/17T	Unsup.
HP C2269°E/M	MacIntosh Storage Tower w/o i/f	mcSCSI	Unsup.	Unsupported. Use C2216/17T	Unsup.
HP C2290A°	330 MByte hard disk upgrade for C2212-14	nsSCSI	Unsup.	400 Upgrades only	8.07-9.07┘10.01-10.10∇
HP C2290D°	330 MByte hard disk upgrade for C2212-14	nsSCSI	Unsup.	400 Upgrades only	8.07-9.07┘10.01-10.20∇
HP C2291A°	660 MByte hard disk upgrade for C2212-14	nsSCSI	Any	Supported on all Models	8.05-10.20∇
HP C2291D°	660 MByte hard disk upgrade for C2212-14	nsSCSI	Unsup.	400 Upgrades only	9.0-9.07┘10.01-10.20∇
HP C2295B°	Add-on 1.3 GByte hard for C2212-14	nsSCSI	Any	All Models	8.07-10.20∇
HP C2425JK°	Model 420SA 5@420 MByte disk array	ndSCSI	1.0 ³²	Models MPS10, 720, 725/50, 725/75, 730, 735/lall, 745i, 747i, 750, 755 w/ndSCSI	8.07-10.10
HP C2427JK°	Model 1350SA 5@1.3 GByte disk array	ndSCSI	1.0 ³²	Models MPS10, 720, 725/50, 725/75, 730, 735/lall, 745i, 747i, 750, 755 w/ndSCSI	8.07-10.10
HP C2436HA°	2.0 GByte Disk Array	fwdSCSI	Note ³²	Models MPS10, 735/lall, 755/lall	9.05 ³³
HP C2437HA°	4.0 GByte Disk Array	fwdSCSI	Note ³²	Models MPS10, 735/lall, 755/lall	9.05 ³³
HP C2437JZ	4.0 Gbyte array	fwdSCSI	Unsup.	K-Class	Unsup.
HP C2438A°	2.0 GByte add-on disk assembly	NA	NA	{per C2439HA and C2440HA}	
HP C2439HA°	4.0 GByte Disk Array	fwdSCSI	Note ³²	Models MPS10, 735/lall, 755/lall	9.05 ³³
HP C2439JA	4.0 GByte Disk Array	fwdSCSI	Note ³²	Models MPS10, 735/lall, 755/lall	9.05 ³³
HP C2439JZ	4.0 Gbyte array	fwdSCSI	Unsup.	Series 800	Unsup.
HP C2440HA°	8.0 GByte Array	fwdSCSI	Note ³²	Models MPS10, 735/lall, 755/lall	9.05 ³³
HP C2440JA	8.0 GByte Array	fwdSCSI	Note ³²	Models MPS10, 735/lall, 755/lall	9.05 ³³
HP C2440JZ	8.0 Gbyte array	fwdSCSI	Unsup.	K-Class	Unsup.
HP C2451...53M°	MacIntosh add-on disks	mcSCSI	No	Mechanically Incompatible	Unsup.
HP C2460° thru HP C2464°A/B					
HP C2460...63°F/R	Series 6000 Tower/Rack Sub-systems for HP9000/800 and 3000/900	nsSCSI	Unsup.	K-Class	Unsup.
HP C2470...74S°	Add-ons for 800/900 SPUs	nsSCSI	Unsup.	K-Class	Unsup.
HP C2472 thru HP C2476°F/R°	Add-ons for C246x°F/R°	nsSCSI	Unsup.	K-Class	Unsup.
HP C2472J°	Add-on 420 MByte mech for 420SA	C2425-JK	Any	All Models w/420SA	8.07-10.10
HP C2473T°	670 MByte upgrade for C2216/17T	nsSCSI	Any	All Models	8.07-10.20
HP C2474J°°	Add-on 1.3 GByte mech for 1350SA	C2427J	Any	All Models w/1350SA	8.07-10.20

External Hard Disks

Vendor & Product Number	Abbreviated Product Description	Type	Min. Boot ROM	Hardware Qualification and Support	HP-UX Support
HP C2474T°	1.3 GByte upgrade for C2216/17T	nsSCSI	Any	All Models	8.07-10.20▽
Series 6000 Differential					
HP C2481A°	Model 670SX (Tower; 670 MByte)	ndSCSI	Any	Models MPS10, 735/la11, 755/la11	8.05-10.20▽
HP C2482A°	Model 1350SX (Tower; 1.3 GByte)	ndSCSI	Any	Models MPS10, 735/la11, 755/la11	8.05-10.20▽
Series 6000 Differential					
HP C2491A°	Add-on 670 MByte hard	ndSCSI	Any	All Models w/C2481/82	8.05-10.20▽
HP C2492A°	Add-on 1.3 GByte hard	ndSCSI	Any	All Models w/C2481/82	8.05-10.20▽
HP C2963A°	1.05 GB, parchment, HDTS50	nsSCSI	Any	All Models	9.05 ³⁴ -11.0
HP C2963D	1.05 GB, quartz, HDTS50	nsSCSI	Any	All Models	9.05 ³⁴ -11.0
HP C2964A°	2.15 GB, parchment, HDTS50	nsSCSI	Any	All Models	9.05-11.0
HP C2964D°	2.15 GB, quartz, HDTS50	nsSCSI	Any	All Models	9.05-11.0
HP C2966A°	4.0 GB, parchment color, HDTS68	fwdSCSI	Note ³⁵	All fwdSCSI Models	9.05-9.07 ⊥ 10.01-11.0
HP C2966D°	4.0 GB, quartz color, HDTS68	fwdSCSI	Note ³⁵	All fwdSCSI Models	9.05-9.07 ⊥ 10.01-11.0
HP C2967A°	4.0 GB, parchment color, HDTS50	nsSCSI	Note ³⁶	B-Class, C-Class, J-Class, K-Class, TelePACE, Models 712, 715, 725, 735, 743, 745, 747, 748, 755	9.05-9.07 ⊥ 10.01-11.0
HP C2967D°	4.0 GB, quartz color, HDTS50	nsSCSI	Note ³⁶	B-Class, C-Class, J-Class, K-Class, TelePACE, Models 712, 715, 725, 735, 743, 745, 747, 748, 755	9.05-9.07 ⊥ 10.01-11.0
HP C2968A°	9.0 GB, 2xHD68, quartz color	fwdSCSI	Note ³⁶	All fwdSCSI Models	10.01-11.0
HP C2969A°	9.0 GB, 2xHD50, quartz color	nsSCSI	Note ³⁶	B-Class, C-Class, J-Class, K-Class, TelePACE, Models 712, 715, 725, 735, 743, 745, 747, 748, 755	10.01-11.0
HP C2995A°	4 GB, desktop, HD68 (90Ω)	uwsSCSI	Any	All uwsSCSI Models	10.20-11.0
HP C2996A°	9 GB, desktop, HD68 (90Ω)	uwsSCSI	Any	All uwsSCSI Models	10.20-11.0
HP C3020R°	Rack w/ 1.0 Gb hard and 2Gb DDS, LDBL50	nsSCSI	Any	All Models	9.05-11.0
HP C3020T°	Tower w/1.0 Gb hard and 2Gb DDS, LDBL50	nsSCSI			
Option 001	s700 firmware	nsSCSI	Any	All Models	9.0-11.0
HP C3021R°	Rack w/ 2.0 Gb hard and 2Gb DDS, LDBL50	nsSCSI			
Option 001	s700 firmware	nsSCSI	Any	All Models	9.0-11.0
HP C3021T°	Tower w/ 2.0 Gb hard and 2Gb DDS, LDBL50	nsSCSI			
Option 001	s700 firmware	nsSCSI	Any	All Models	9.0-11.0
HP C3022R°	Rack and 1.0 Gb disk, LDBL50	nsSCSI			
Option 001	s700 firmware	nsSCSI	Any	All Models	9.05-11.0
HP C3022T°	Tower, 1.0 GB hard, LDBL50	nsSCSI			
Option 001	s700 firmware	nsSCSI	Any	All Models	9.05-11.0
HP C3023R°	Rack, 2.0 Gb hard, LDBL50	nsSCSI			
Option 001	s700 firmware	nsSCSI	Any	All Models	9.05-11.0

External Hard Disks

Vendor & Product Number	Abbreviated Product Description	Type	Min. Boot ROM	Hardware Qualification and Support	HP-UX Support
HP C3023T°	Tower w/one 2.0 Gb, LDBL50				
Option 001	s700 firmware	nsSCSI	Any	All Models	9.05-11.0
HP C3024R°	Rack w/two 2.0 Gb				
Option 001	s700 firmware	nsSCSI	Any	All Models	9.05-11.0
HP C3024T°	Tower w/two 2.0 Gb, LDBL50				
Option 001	s700 firmware	nsSCSI	Any	All Models	9.05-11.0
HP C3027U°	Add-on 1.0 Gb for C3020...24R/T	nsSCSI			
Option 001	s700 firmware	nsSCSI	Any	Disks C2214B, C2216/17T, C302xT	9.05-11.0
HP C3028U°	Add-on 2.0 Gb for C3020...24R/T	nsSCSI			
Option 001	s700 firmware	nsSCSI	Any	Disks C2214B, C2216/17T, C302xT	9.05-11.0
HP C3030R°	Rack, 1.0 GB disk, 2.0GB DDS	nsSCSI	Any	EPS, K-Class	9.05-10.20
HP C3031R°	Rack, 2.0 GB disk, 2.0GB DDS	nsSCSI	Any	EPS, K-Class	9.05-10.20
HP C3032T°	1.0 GB Mini-Tower, HDTS68	fwdSCSI	Any	Models MPS10, 735/!all, 755/!all	9.01-10.20∇
HP C3033T°	2.0 GB Mini-Tower, HDTS68	fwdSCSI	Any	Models MPS10, 735/!all, 755/!all	9.01-10.20∇
HP C3034T°	Fast-wide tower, single 2 GByte, HDTS68	fwdSCSI	1.1	Models MPS10, 735/!all, 755/!all	9.0-10.20∇
HP C3035T°	Fast-wide tower, four@1 GByte, HDTS68	fwdSCSI	1.1	Models MPS10, 735/!all, 755/!all	9.0-10.20∇
HP C3036T°	Fast-wide tower, seven@1 GByte, HDTS68	fwdSCSI	1.1	Models MPS10, 735/!all, 755/!all	9.0-10.20∇
HP C3037U°	Add-on 1.0 GByte for C3034...36T	fwdSCSI	1.1	C302xT	9.0-10.20∇
HP C3038U°	Add-on 2.0 GByte for C3034...36T	fwdSCSI	1.1	C302xT	9.0-10.20∇
HP C3040R	2.0 GByte rack, LDBL50	nsSCSI	Unsup.	EPS, K-Class	9.05-10.20
HP C3040T°	2.0 GByte tower, LDBL50	nsSCSI		EPS, K-Class	9.05-10.20
HP C3041R	4.0 GByte rack, LDBL50	nsSCSI		EPS, K-Class	9.05-10.20
HP C3041T	4.0 GByte tower, LDBL50	nsSCSI		All Models	9.05-11.0
HP C3044U°	2.0 GByte, for s6000 tower	nsSCSI	Any	All Models	9.05-11.0
HP C3045T°	1.0 GByte tower	nsSCSI	Any	All Models	9.05-11.0
HP C3049U°	1.0 GByte add-on	nsSCSI	Any	C304xT	9.05-11.0
HP C3304...6A°	Add-ons for C3310A-to-21A towers	nsSCSI	Unsup.	Unsupported	Unsup.
HP C3310A...21A°	PC Array Towers	nsSCSI	Unsup.	Unsupported	Unsup.
HP C3323A°	1.05 GByte, OEM	xxSCSI	NA	Unsupported	Unsup.
HP C3323D°	1.05 GByte, OEM	ndSCSI	NA	Unsupported	Unsup.
HP C3323SE°	1.05 GByte, OEM	nsSCSI	NA	Unsupported	Unsup.
HP C3324°	1.0 GB 3.5 mech.	xxSCSI	Note ³⁷	Note ³⁷	Note ³⁷
HP C3325°	2.0 GB 3.5 mech.	xxSCSI	Note ³⁸	Note ³⁸	Note ³⁸
HP C3550R°	2.0 GByte s800 rack, HDTS68	fwdSCSI	Unsup.	EPS, K-Class	9.05-10.20
HP C3550T	2.0 GByte tower, HDTS68	fwdSCSI	Any	All fwdSCSI Models	9.05-11.0
HP C3551R/RZ	4.0 GByte s800 rack, HDTS68	fwdSCSI		EPS, K-Class	9.05-10.20
HP C3551T	4.0 GByte tower, HDTS68	fwdSCSI		EPS, K-Class	9.05-10.20

External Hard Disks

Vendor & Product Number	Abbreviated Product Description	Type	Min. Boot ROM	Hardware Qualification and Support	HP-UX Support
HP C3553R	8.0 GByte s800 rack	fwdSCSI		EPS, K-Class	9.05-10.20
HP C3554U	2.0 GB add-on for C355x tower	fwdSCSI	All	All fwdSCSI Models	9.05-11.0
HP C3555T°	1.0 GB tower	nsSCSI	Any	All Models	9.05-10.20
HP C3559U°	1.0 GB add-on	nsSCSI	Any	C355xT	9.05-11.0
HP C3578A	AutoRAID rackmount	fwdSCSI	Note ³⁹	C-Class, J-Class, K-Class, Models 725/100, 735/125, 755/125	10.10-11.0
HP C3579A	AutoRAID deskside	fwdSCSI	Note ³⁹	C-Class, J-Class, K-Class, Models 725/100, 735/125, 755/125	10.10-11.0
HP C3601B°	1.0 GByte PC tower	nsSCSI	NA	Unsupported	Unsup.
HP C3602B°	2.0 GByte PC tower	nsSCSI	NA	Unsupported	Unsup.
HP C3660R°	1.0 GByte rack	nsSCSI			
Option 001	for Series 700	ROM	Any	All Models	10.01-11.0
Option 002	for Series 800	ROM	Any	EPS, K-Class	9.05-10.20
HP C3660T°	1.0 GByte tower	nsSCSI			
Option 001	for Series 700	ROM	Any	All Models	10.01-11.0
Option 002	for Series 800	ROM	Any	EPS, K-Class	9.05-10.20
HP C3661U°	1.0 add-on	nsSCSI			
Option 001	for Series 700	ROM	Any	All Models	10.01-11.0
Option 002	for Series 800	ROM	Any	EPS, K-Class	9.05-10.20
HP C3662R°	1.0 GByte rack	fwdSCSI			
Option 001	for Series 700	ROM	Any	All fwdSCSI Models	10.01-11.0
Option 002	for Series 800	ROM	Any	EPS, K-Class	9.05-10.20
HP C3662T°	1.0 GByte tower	fwdSCSI			
Option 001	for Series 700	ROM	Any	All fwdSCSI Models	10.01-11.0
Option 002	for Series 800	ROM	Any	EPS, K-Class	9.05-10.20
HP C3663U°	1.0 add-on	fwdSCSI			
Option 001	for Series 700	ROM	Any	All fwdSCSI Models	10.01-11.0
Option 002	for Series 800	ROM	Any	EPS, K-Class	9.05-10.20
HP C3682A	4 GB Hard Disk	fwsSCSI	⇒	See entry for hosting AutoRAID	⇐
HP C3684A	9.1 GB Hard Disk	fwsSCSI	⇒	See entry for hosting AutoRAID	⇐
HP C3724D°	1.2 GB	ndSCSI		ISG: Models MPS10, 735/ all , 755/ all	9.03-9.07
HP C3724S/SC°	1.2 GB	nsSCSI		ISG: Models MPS10, 735/ all , 755/ all	9.03-9.07
HP C3724T/TC°	1.2 GB	fwsSCSI	NA	No interface	NA
HP C3724W/WC°	1.2 GB	fwdSCSI		ISG: All fwdSCSI Models	9.03-9.07
HP C3725D°	2.2 GB	ndSCSI		ISG: Models MPS10, 735/ all , 755/ all	9.03-9.07
HP C3725S/SC°	2.2 GB	nsSCSI	Unsup.	ISG: Models MPS10, 735/ all , 755/ all	9.03-9.07
HP C3725T/TC°	2.2 GB	fwsSCSI	NA	No interface	NA
HP C3725W/WC°	2.2 GB	fwdSCSI		ISG: All fwdSCSI Models	9.05-9.07
HP C5254R°	2.0GB, rack enclosure	nsSCSI			
Option 001	for Series 700	ROM	Any	All Models	9.03-9.07_10.01-11.0
Option 002	for Series 800	ROM	Any	EPS, K-Class	9.05-10.20

External Hard Disks

Vendor & Product Number	Abbreviated Product Description	Type	Min. Boot ROM	Hardware Qualification and Support	HP-UX Support
HP C5254T	2.0GB, tower enclosure	nsSCSI			
Option 001	for Series 700	ROM	Any	All Models	9.03-9.07_10.01-11.0
Option 002	for Series 800	ROM	Any	EPS, K-Class	9.05-10.20
HP C5255R°	Dual 2.0GB, rack enclosure	nsSCSI			
Option 001	for Series 700	ROM	Any	All Models	9.03-9.07_10.01-11.0
Option 002	for Series 800	ROM	Any	EPS, K-Class	9.05-10.20
HP C5255T°	Dual 2.0GB, tower	nsSCSI			
Option 001	for Series 700	ROM	Any	All Models	9.03-9.07_10.01-11.0
Option 002	for Series 800	ROM	Any	EPS, K-Class	9.05-10.20
HP C5257U	2.0GB, add-on	nsSCSI			
Option 001	for Series 700	ROM	Any	All Models w/C525x/6x nsSCSI w/available slot	9.03-9.07_10.01-11.0
Option 002	for Series 800	ROM	Any	EPS, K-Class	9.05-10.20
HP C5258R°	2.0GB, rack enclosure	fwdSCSI			
Option 001	for Series 700	ROM	Any	All fwdSCSI Models	9.03-9.07_10.01-11.0
Option 002	for Series 800	ROM	Any	EPS, K-Class	9.05-10.20
HP C5258T°	2.0GB, tower enclosure	fwdSCSI			
Option 001	for Series 700	ROM	Any	All fwdSCSI Models	9.03-9.07_10.01-11.0
Option 002	for Series 800	ROM	Any	EPS, K-Class	9.05-10.20
HP C5259R°	Dual 2.0GB, rack enclosure	fwdSCSI			
Option 002	for Series 800	ROM	Any	EPS, K-Class	9.05-10.20
HP C5259T°	Dual 2.0GB,tower enclosure	fwdSCSI			
Option 002	for Series 800	ROM	Any	EPS, K-Class	9.05-10.20
HP C5261U	2.0GB, add-on	fwdSCSI			
Option 001	for Series 700	ROM	Any	All fwdSCSI Models w/C525x/6x fwdSCSI w/ available slot	9.03-9.07_10.01-11.0
Option 002	for Series 800	ROM	Any	EPS, K-Class	9.05-10.20
HP C5262R°	4.0GB, rack enclosure	nsSCSI			
Option 001	for Series 700	ROM		All Models	9.03-9.07_10.01-11.0
Option 002	for Series 800	ROM		EPS, K-Class	9.05-10.20
HP C5262T°	4.0GB, tower enclosure	nsSCSI			
Option 001	for Series 700	ROM		All Models	9.03-9.07_10.01-11.0
Option 002	for Series 800	ROM		EPS, K-Class	9.05-10.20
HP C5263U	4.0GB, add-on	nsSCSI			
Option 001	for Series 700	ROM		All Models w/C525x/6x nsSCSI w/ available slot	9.03-9.07_10.01-11.0
Option 002	for Series 800	ROM		EPS, K-Class	9.05-10.20
HP C5264R	4.0GB, rack	fwdSCSI			
Option 001	for Series 700	ROM		All fwdSCSI Models	9.03-9.07_10.01-11.0
Option 002	for Series 800	ROM		EPS, K-Class	9.05-10.20
HP C5264T	4.0GB, tower	fwdSCSI			
Option 001	for Series 700	ROM		All fwdSCSI Models	9.03-9.07_10.01-11.0
Option 002	for Series 800	ROM		EPS, K-Class	9.05-10.20

External Hard Disks

Vendor & Product Number	Abbreviated Product Description	Type	Min. Boot ROM	Hardware Qualification and Support	HP-UX Support
HP C5266U	4.0GB, add-on	fwdSCSI			
Option 001	for Series 700	ROM		All fwdSCSI Models w/C525x/6x w/available slot	9.03-9.07 ⊥ 10.01-11.0
Option 002	for Series 800	ROM		EPS, K-Class	9.05-10.20
HP C5517A	AutoRAID deskside	fwdSCSI	Note ³⁹	C-Class, J-Class, K-Class, Models 725/100, 735/125, 755/125	10.10-10.20
HP C5518A	AutoRAID rackmount	fwdSCSI	Note ³⁹	C-Class, J-Class, K-Class, Models 725/100, 735/125, 755/125	10.10-10.20
HP C5539A	2 GB Hard Disk	fwsSCSI	⇒	See entry for hosting AutoRAID	⇐
HP C6384A	2 GB Hard Disk, desktop	fnsSCSI	Any	B-Class, Models 712, 715, 725, 735, 743, 744, 745, 748, 755	9.03-9.07 ⊥ 10.01-10.20
HP C6386A	4 GB Hard Disk, desktop	fnsSCSI	Note ³⁶	B-Class, C-Class, J-Class, Models 712, 715, 725, 735, 743, 744, 745, 748, 755	9.05-9.07 ⊥ 10.01-11.0
HP C6387A	4 GB Hard Disk, rackable	fnsSCSI	Note ³⁶	B-Class, Models 712, 715, 725, 735, 743, 744, 745, 748, 755	9.05-9.07 ⊥ 10.01-11.0
HP C6388A	4 GB Hard Disk, desktop	uwsSCSI	Note ³⁶	All Models supporting Ultra Wide Single-Ended SCSI	9.05-9.07 ⊥ 10.01-11.0
HP C6389A	4 GB Hard Disk, rackable	uwsSCSI	Note ³⁶	B-Class, C-Class, J-Class with uwsSCSI	9.05-9.07 ⊥ 10.01-11.0
HP C6390A	4 GB Hard Disk, desktop	fwdSCSI	Note ³⁶	C-Class, J-Class, Models 725, 743, 744, 748, 755	9.05-9.07 ⊥ 10.01-11.0
HP C6391A	4 GB Hard Disk, rackable	fwdSCSI	Note ³⁶	C-Class, J-Class, Models 725, 743, 744, 748, 755	9.05-9.07 ⊥ 10.01-11.0
HP C6392A	9 GB Hard Disk, desktop	fnsSCSI	Note ³⁶	B-Class, C-Class, J-Class, Models 712, 715, 725, 735, 743, 744, 745, 748, 755	10.01-11.0
HP C6393A	9 GB Hard Disk, rackable	fnsSCSI	Note ³⁶	B-Class, Models 712, 715, 725, 735, 743, 744, 745, 748, 755	10.01-11.0
HP C6394A	9 GB Hard Disk, desktop	uwsSCSI	Note ³⁶	All Models supporting Ultra Wide Single-Ended SCSI	9.05-9.07 ⊥ 10.01-11.0
HP C6395A	9 GB Hard Disk, rack-ready	uwsSCSI	Note ³⁶	B-Class, C-Class, J-Class with uwsSCSI	9.05-9.07 ⊥ 10.01-11.0
HP C6396A	9 GB Hard Disk, desktop	fwdSCSI	Note ³⁶	C-Class, J-Class, K-Class, Models 743, 744, 748	10.01-11.0
HP C6397A	9 GB Hard Disk, rackable	fwdSCSI	Note ³⁶	C-Class, J-Class, K-Class, Models 743, 744, 748	10.01-11.0
HP C6516A	4 GB DeskTop, HD68, 90Ω	uwsSCSI	Note ³⁶	All uwsSCSI Models	10.20-11.0
HP C6517A	9 GB DeskTop, HD68, 90Ω	uwsSCSI	Note ³⁶	All uwsSCSI Models	10.20-11.0
HP D3604A°	NetServer Storage System/6	xxSCSI	Unsup.	Unsupported	Unsup.
HP D4902A	NetServer Storage/8		Unsup.	Unsupported	Unsup.
HP S5444A	Symmetrix 3430 Array	FC-AL	N/A	Unsupported (server product)	Unsup.
HP S5732A	Symmetrix 3330 Array	FC-AL	N/A	Unsupported (server product)	Unsup.
HP S5733A	Symmetrix 3730 Array	FC-AL	N/A	Unsupported (server product)	Unsup.
HP Z7600A	Telecomm Disk Array (48Vdc)	fwdSCSI		TelePACE	9.05-9.07 ⊥ 10.01-10.10
HP Z7614A	Telecomm Disk Array	fwdSCSI		K-Class	10.10-10.20
HP 7907A°	20/20 Mb Fxd/Rem ctg	CS/80	NOP	Unsupported	Unsup.

External Hard Disks

Vendor & Product Number	Abbreviated Product Description	Type	Min. Boot ROM	Hardware Qualification and Support	HP-UX Support
HP 7908P ^{oo}	16 Mb Fxd w/ctg tape	CS/80	NOP	Never supported	Never supported
HP 7911 ^{oo} P/R	28 Mb Fxd w/ctg tape	CS/80	NOP	Unsupported	Unsup.
HP 7912 ^{oo} P/R	65 Mb Fxd w/ctg tape	CS/80	NOP	Unsupported	Unsup.
HP 7914CT ^{oo}	132 Mb Fxd w/ctg tape	CS/80	NOP	(See 7914P/R, and 9144A in Tapes)	
HP 7914 ^{oo} P/R	132 Mb Fxd w/ctg tape	CS/80	NOP	Unsupported	Unsup.
HP 7914TD ^{oo}	7914R and 7971A package	mixed	NOP	(See 7914R, and 7971A in Tapes)	
HP 7914ST ^{oo}	7914R and 7974A package	CS/80	NOP	(See 7914R, and 7974A in Tapes)	
HP 7933H ^{oo}	404 MByte, fixed	CS/80	NOP	Unsupported	Unsup.
HP 7933XP ^{oo}	404 MByte, fixed	CS/80	NOP	Unsupported	Unsup.
HP 7935H ^{oo}	404 MByte, removable	CS/80	NOP	Never supported	Never supported
HP 7935XP ^{oo}	404 MByte, removable	CS/80	NOP	Never supported	Never supported
HP 7936H ^o	308 MByte	CS/80	NOP	Unsupported	Unsup.
HP 7936XP ^o	308 MByte	CS/80	NOP	Unsupported	Unsup.
HP 7937H ^o	571 MByte	CS/80	NOP	Unsupported	Unsup.
HP 7937XP ^o	571 MByte	CS/80	NOP	Unsupported	Unsup.
HP 7941A ^{oo} /HP7945A ^{oo}	24/55 MByte	CS/80	NOP	Unsupported	Unsup.
HP 7942A ^{oo}	7941A and 9144A package	CS/80	NOP	Unsupported	Unsup.
HP 7946A ^o	7945A and 9144A package	CS/80	NOP	Unsupported	Unsup.
HP 7957 ^o A/B	80 MByte	CS/80	NOP	Unsupported	Unsup.
HP 7957S ^o	107 MByte	nsSCSI	Unsup.	Unsupported	Unsup.
HP 7958 ^o A/B	131/152 MByte	CS/80	NOP	Unsupported	Unsup.
HP 7958S ^o	161 MByte	nsSCSI	Unsup.	Unsupported	Unsup.
HP 7959B ^o	304 MByte	CS/80	NOP	Unsupported	Unsup.
HP 7959S ^o	323 MByte	nsSCSI	Unsup.	Unsupported	Unsup.
HP 7962B ^o	152 MByte	CS/80	NOP	Unsupported	Unsup.
HP 7963B ^o	304 MByte	CS/80	NOP	Unsupported	Unsup.
HP 97962B ^o	152 MByte add-on	CS/80	NOP	Unsupported	Unsup.
HP 97963B ^o	304 MByte add-on	CS/80	NOP	Unsupported	Unsup.
HP 9133 ^{oo} D/H/L	9134D/H/L+9122S pkg.	SS/80	NOP	Never Supported	Never Supported
HP 9134 ^{oo} D/H/L	15/20/40 Mbyte	SS/80	NOP	Never Supported	Never Supported
HP 9153 ^{oo} A/B	9154A/B+9122S package	SS/80	NOP	Never Supported	Never Supported
HP 9154 ^o A/B	10/20 MByte	SS/80	NOP	Unsupported	Unsup.
HP 9153 ^o C/M	10-40 Mb Modular	SS/80	NOP	Unsupported	Unsup.
HP 9262B ^{oo}	Secure 7962B	CS/80	NOP	Never Supported	Never Supported
HP 9263B ^o	Secure 7963B	CS/80	NOP	Unsupported	Unsup.
HP 97902B	152 MByte add-on	CS/80	NOP	Unsupported	Unsup.
HP 97903B	304 MByte add-on	CS/80	NOP	Unsupported	Unsup.
HP-Apollo A-200EF ^o	200 Mb hd & 5¼-in. floppy	nsSCSI	Unsup.	Unsupported	Unsup.
HP-Apollo A-660E ^o	660 Mbyte	nsSCSI	Unsup.	400 Upgrades	9.0-9.07┘10.01-10.20V
HP-Apollo A-697 ^o	External disk cluster	nsSCSI	Unsup.	Unsupported	Unsup.

External Hard Disk Notes

28. The SCSI mode depends on the devices installed in the cabinet, typically nsSCSI or fwdSCSI.

29. Support depends on the storage devices installed. In particular, 4 and 9 GB hard disks require LVM, and thus are not supported on 9.x.
30. The only supported version of this device is the A1094-69012.
31. The only supported versions of this device are the A2084-69002 and A2095-69001.
32. Although once configured, it is possible to boot from a disk array, a single-spindle disk is required for initial cold-load installation and crash recovery.
33. HP-UX 9.01 or 9.03 also supported w/ C3302A patch.
34. 9.03 also supported with patch.
35. Supported for booting only on 10.01 or later, and only on platforms: B-Class, C-Class, J-Class, TelePACE, Models 725/100, 725/100XC, 735/125, 743i, 748i, 755/125. Supported as data (mounted) disk only on earlier HP-UX releases and all other fwdSCSI platforms (any release). Use on 9.05 and 9.07 requires patch on all platforms.
36. Supported for booting only on 10.01 or later. Supported as data (mounted) disk only on earlier HP-UX releases. Use on 9.05 and 9.07 requires patch on all platforms.
37. The only supported versions of this device are the A2084-69013 and A2084-69018.
38. The only supported versions of this device are the A2084-69015 and A2084-69016.
39. Boot supported only on B132L and above, C160 and above, J280 and above and K-Class.
40. 4 GB drives are bootable only on 10.01 and later. They may be used as data disks (mounted volumes) on some earlier releases. LVM is required if boot disk.
41. 9 GB drives are bootable and mountable only on 10.01 and later. LVM is required in all cases.

Removable Media Magnetic Disks

HP PA-RISC Workstations support both nsSCSI and floppy bus (FDD) interfaced drives. HP-IB SS/80 drives have not been tested with the 25560A EISA HP-IB interface and may not function correctly.

Booting is not supported from floppy drives. Some SPUs, however, may attempt to boot if media is in the drive (the HP-UX install kernel has not been small enough to fit on floppies since release 5.x).

Floppy File Systems

This table summarizes floppy file system capabilities on supported drives.

Floppy File System Support

File System	Description	Support
HFS	HP-UX Native	<i>mediainit</i> , <i>format</i> , <i>mount</i> , and all normal Unix commands
FAT	File Allocation Table (native DOS format)	Transparent access via SoftPC and WABI (Windows Application Binary Interface). Outside SoftPC and WABI: <i>mediainit</i> , file manipulation via <i>doscp()</i> "dosutil" command suite, but no format or mount.
Mac	Apple Macintosh	transparent access for 1.44MB and 720KB CAV (PC format) media via MAE (Macintosh Application Environment). Older Apple native (CLV) media not supported by drives. No Mac FS support outside MAE.
LIF	HP Logical Interchange Format	<i>mediainit</i> , file manipulation via <i>lifcp()</i> "lifutil" command suite. No format or mount.
SDF	HP Structured Directory Format (Series 500)	<i>mediainit</i> , file manipulation via <i>sdfcp()</i> "sdfutil" command suite. No format or mount.
VFAT	Virtual FAT: Windows 95 and Windows NT long filename	no support
NTFS	Windows NT native	no support
HPFS	OS/2 native	no support

Removable Media Magnetic Drives

by Product Number

For information on SCSI notation, see "SCSI Notation" on page 127.

Flexible Disk Drive Support

Vendor & Product Number	Abbreviated Product Description	Type	Min. Boot ROM	Hardware Qualification and Support	HP-UX Support
HP A1968A°	1.4 MB 3½-in. internal	nsSCSI	NOP	Models 750, 755/99, 755/125	8.05-10.20√
HP A1984A°	1.4 MB 3½-in. internal	nsSCSI	NOP	Models 720, 730, 735/99, 735/125	8.05-10.20√
HP A2073A°	1.4 MB 3½-in. internal	nsSCSI	NOP	Model 710e	8.05-9.07 ⊥ 10.01-10.20√
HP A2223A°	1.4 MB 3½-in. internal	nsSCSI	NOP	Models 705, 710 ⁴²	8.05-9.07 ⊥ 10.01-10.20√
HP A2645A	1.4 MB 3½-inch internal	nsSCSI	NOP	TelePACE, Models 743, 744, 745i, 745/132L, 747i, 748i, 748/132L, 748/165L	9.03-11.0/32

Flexible Disk Drive Support

Vendor & Product Number	Abbreviated Product Description	Type	Min. Boot ROM	Hardware Qualification and Support	HP-UX Support
HP A2802A	1.4 MB 3½-inch internal	nsSCSI	NOP	Models 715/33, 715/50, 715/64, 715/75, 715/80, 715/100, 725/100	9.0-11.0/32
HP A2814A	1.4 MB 3½-inch internal	nsSCSI	NOP	Model 725	9.0-10.20∇
HP A2942A	1.4 MB 3½-inch internal		NOP	Series 800	Unsup.
HP A4029A	1.4 MB 3½-inch internal	FDD	NOP	B-Class	10.20-11.0/32
HP A4068A	1.4 MB 3½-inch internal	FDD	NOP	Model 712	9.03-11.0/32
HP A4178A	1.4 MB 3½-inch internal	nsSCSI	NOP	Model 735/99, 735/125	9.0-10.20∇
HP A4180A	1.4 MB 3½-inch internal	FDD	NOP	Models 715/64, 715/80, 715/100, 715/100XC	9.05-9.07 ⊥ 10.01-11.0/32
HP A4183A	1.4 MB 3½-inch internal	FDD	NOP	Model 755	9.0-9.07 ⊥ 10.01-10.20∇
HP A4184A	1.4 MB 3½-inch internal	FDD	NOP	Series 300	Unsup.
HP A4283A	1.4 MB 3½-in. int., parchment	nsSCSI	NOP	J-Class	9.05-11.0
HP A4283D	1.4 MB 3½-inch int., quartz	nsSCSI	NOP	J-Class	9.05-11.0
HP A4464A ^{e43}	1.4 MB 3½-inch internal	FDD	NOP	C-Class	9.05-11.0
HP A4464D ⁴⁴	1.4 MB 3½-inch internal	FDD	Unsup.	Models C110, C160, C160L, C180, C200, C240	10.20-11.0
HP C5205A	1.4 MB 3½-inch internal	FDD	Unsup.	Netstations only	Unsup.
HP D1667A ^o	3.5-in. for <i>Vectra</i>	FDD	Unsup.	Unsupported	Unsup.
HP D2035A ^o	1.4 MB 3½-in., w/ <i>Vectra</i> kit	FDD	Unsup.	Unsupported	Unsup.
HP D2036A ^o	1.2 MB 5¼-in., w/ <i>Vectra</i> kit	FDD	Unsup.	Unsupported	Unsup.
HP D2881A ^o	1.2 MB 5¼-in., w/ <i>Vectra</i> kit	FDD	Unsup.	Unsupported	Unsup.
HP D4390A	100MB ZIP Drive	EIDE	N/A	No interface	N/A
HP D6650A	100MB ZIP Drive	EIDE	N/A	No interface	N/A
HP 9122C ^{oo}	1.6 Mbyte 3½-inch external	SS/80	NOP	Unsupported	Unsup.
HP 9122D ^{oo} /S ^{oo}	788 Kbyte 3½-inch external	SS/80	NOP	Never Supported	Never Supported
HP 9125S ^{oo}	360 Kbyte 5¼-inch external	SS/80	NOP	Never Supported	Never Supported
HP 9127A ^{oo}	360 Kbyte 5¼-inch external	SS/80	NOP	Never Supported	Never Supported
HP-Apollo AADDSFLP ^{oo}	1.2 Mbyte 5¼-inch external	nsSCSI	NOP	Never Supported	Never Supported

Flexible Disk Notes:

42. Not supported on Model 710e (upgraded Model 425e).

43. Parchment White color.

44. Quartz Gray color.

CD-ROM, CDR/CD-WORM and CD-RW Drives

HP PA-RISC Workstations supports only nsSCSI CD-ROM drives. Booting is supported only for drives connected to the built-in nsSCSI interface.

The first table in this section summarizes CD-ROM file system capabilities on supported drives.

No CD-ROM authoring capability is presently available from HP for HP-UX, but is available from independent software vendors.

CD File Systems

Only Single-Session CDs are presently supported.

See footnote⁴⁷ following drive table for suppliers of pre-mastering and CDR software for HP-UX.

CD-ROM File System Support

File System	Description	Support
CD-DA	RedBook CD audio	Audio playback supported via HP-UX Audio API and third-party tools. Audio Extraction (read audio as data) not supported. No tools supplied for mastering audio CDs.
CDi	CD-ROM Interactive	Not supported.
<games>	Various proprietary game formats.	Not supported.
HFS	HP-UX Native	Mount and read support for HP-supplied media. Pre-mastering HFS CD-ROMs requires CD Studio or similar 3rd-party product.
ISO 9660	Industry-standard "8.3" CD-ROM filesystem	Mount and read support. Due to strict HP-UX implementation of ISO upper-case names and ";" file version numbers, mounting ISO 9660 CDs via <i>pfs</i> subsystem is recommended. Pre-mastering ISO 9660 CD-ROMs requires CD Studio or similar 3rd-party product.
Joliet	Windows 95 8.3 plus 64-char. long filename	Not supported for mount or read. Pre-mastering Joliet CD-ROMs requires CD Studio or similar 3rd-party product.
LIF	HP Logical Interchange Format	Used only for bootable HP-UX install media. Not supported for other uses, as the 2048-byte sector size on CD violates the LIF specification and causes errors outside the install process.
PhotoCD	Kodak .PCD extensible write-once filesystem	Not supported
RockRidge	Industry-standard Unix-like CD-ROM filesystem. Has long filename support.	Mount and read support in HP-UX 9.x and later, provided via <i>pfs</i> subsystem that mounts CD via <i>vnode</i> . Pre-mastering RockRidge 9660 CD-ROMs requires <i>CD Studio</i> or similar 3rd-party product.
Romeo	Windows 95 128-char. long filename.	Not supported.
VideoCD	CD-ROM XA Mode 2 Form 2 disc with ISP 9660 and CDi video.	Not supported.

CD-ROM, CDR, CD-E and CD-RW Drives

For information on SCSI abbreviations, see “SCSI Notation” on page 127.

CD-ROM Drive Support

Vendor & Product Number	Abbreviated Product Description	Type	Min. Boot ROM	Hardware Qualification and Support	HP-UX Support
HP A1448A°	Internal 1x	nsSCSI	Unsup.	Model 715 ⁴⁵	9.0-9.07 ⊥ 10.01-10.20 ∇
HP A1985A°	Internal 1x	nsSCSI	Any	Models 750, 755/lall	8.05-10.20 ∇
HP A1999A°	External, 1x and 2x	nsSCSI	Any	Models MPS10, 705, 710, 715/33, 715/50, 715s/t, 720, 725/50, 725/75, 730, 735/(all), 742i, 745i/(all), 747i/(all), 750, 755/(all). Note ⁴⁵	8.05-10.20 ∇
HP A2074A°	s400, internal	nsSCSI	Unsup.	Model 710e. Note ⁴⁵	8.05-9.07 ⊥ 10.01-10.20 ∇
HP A2224A°	Internal 1x	nsSCSI	Set.A	Models 705, 710 ⁴⁶ Note ⁴⁵	8.05-9.07 ⊥ 10.01-10.20 ∇
HP A2253A	Internal 1x, s3x2	nsSCSI	Unsup.	Unsupported	Unsup.
HP A2644A	Internal 2x or 4x	nsSCSI	Any	TelePACE, Models 745i, 747i, 748i	9.0-11.0/32
HP A2655A°	External 2x	nsSCSI	Any	Models J200, J210, 712/(all), 715/64, 715/80, 715/100, 715/100XC, 725/100, 743i/lall, v743/lall, 748i/lall	9.03-11.0/32
HP A2803A	Internal 1x or 2x	nsSCSI	IODC 1.1	Models 715/33, 715/50, 715/64, 715/75, 715/80, 715/100, 725/100	9.0-11.0/32
HP A2817A	Internal 2x or 4x	nsSCSI	IODC 1.1	Model 725	9.0-10.20 ∇
HP A3086A	Internal 2x	nsSCSI	Unsup.	Series 800	Unsup.
HP A3184A°	Internal 2x	nsSCSI	Any	EPS20, Model K410	10.01-10.20
HP A3416A°	Internal 4x	nsSCSI	Any	K-Class	10.01-10.20
HP A3715A	Internal 12x	nsSCSI	Any	K-Class	10.01-11.0
HP A4171A	Internal 4x	nsSCSI	Any	B-Class	10.20-11.0/32
HP A4282A	Internal 4x, parchment	nsSCSI	Any	Models C100, C110, J200, J210, J210XC, J282	9.05-11.0
HP A4325A	Internal 4x, parchment	nsSCSI	Any	Models J200, J210, J210XC, J282, 715/64, 715/80, 715/100, 725/100, 748i/lall, 755/125	9.03-11.0
HP A4325D	Internal 4x, quartz	nsSCSI	Any	Models J200, J210, J210XC, J282	9.03-11.0
HP A4326A	Internal 4x	nsSCSI	Any	Models 715/64, 715/80, 715/100, 715/100XC, Upgrades to B-Class	9.03-11.0/32
HP A4327A	Internal 4x	nsSCSI	Any	Model 725/100	9.03-11.0/32
HP A4328A°	Internal 4x	nsSCSI	Any	Model 755/125	9.03-10.20 ∇
HP A4329A°	Internal 4x	nsSCSI	Any	TelePACE, Models 748i, 748/132L	9.05-10.20 ∇
HP A4329D	Internal 4x, quartz	nsSCSI	Any	TelePACE, Models 743, 744, 748i, 748/132L	9.05-10.20 ∇
HP A4463A°	Internal 4x	nsSCSI	Any	Models C160, C160L. C180	10.20-11.0
HP A4463D	Internal 4x	nsSCSI	Any	Models C160, C160L. C180	10.20-11.0
HP A4489A	Internal, 12x	nsSCSI		Models 715/64, 715/80, 715/100	9.03-9.07 ⊥ 10.01-11.0/32
HP A4494A	Internal, 12x	nsSCSI		Model 725/100	9.03-9.07 ⊥ 10.01-11.0/32
HP A4495A	Internal, 12x	nsSCSI		Models 745, 747	9.03-9.07 ⊥ 10.01-10.20 ∇

CD-ROM Drive Support

Vendor & Product Number	Abbreviated Product Description	Type	Min. Boot ROM	Hardware Qualification and Support	HP-UX Support
HP A4496A	Internal, 12x	nsSCSI	Any	Models 743, 744, 745/132L, 748i/64, 748i/100, 748i/132L, 748/165L	9.03-9.07 ⊥ 10.01-11.0/32
HP A4497A	Internal, 12x	nsSCSI		Model 755/125	9.03-9.07 ⊥ 10.01-10.20√
HP A4498A	Internal, 12x	nsSCSI	Any	B-Class	9.03-9.07 ⊥ 10.01-11.0/32
HP A4506A	Internal, 12x	nsSCSI	Any	C-Class	9.03-9.07 ⊥ 10.01-11.0
HP A4507A	Internal 12x	nsSCSI	Any	J-Class	9.03-9.07 ⊥ 10.01-11.0
HP A4953A	Internal 12x	nsSCSI	Any	B-Class, C-Class	10.20-11.0
HP C1707A ^{oo}	Series 6100 Model 600/A external	CS/80	NOP	Unsupported	Unsup.
Series 6000 for HP-UX					
HP C2212A ^o , HP C2213A ^{oo} Option 004	Series 6000 external mass storage enclosure for HP-UX	nsSCSI	Any	See C2293A	
HP C2293A ^o	1x CD-ROM upgrade for C2212-14	nsSCSI	Any	Models MPS10, 705, 710, 715/33, 715/50, 715s/t, 720, 725/50, 725/75, 730, 735/(all), 742i, 745i/(all), 747i/(all), 750, 755/(all). Note ⁴⁵	8.05-10.20√
HP C2293T ^o	1x add-in for C2216/17T	nsSCSI	Any	Models MPS10, 705, 710, 715/33, 715/50, 715s/t, 720, 725/50, 725/75, 730, 735/(all), 742i, 745i/(all), 747i/(all), 750, 755/(all). Note ⁴⁵	8.07-10.20√
HP C2293U ^o	1x add-in for C3020...24T	nsSCSI	Any	Models MPS10, 705, 710, 715/33, 715/50, 715s/t, 720, 725/50, 725/75, 730, 735/(all), 742i, 745i/(all), 747i/(all), 750, 755/(all). Note ⁴⁵	9.0-10.20√
HP C2943A ^o	2x external	nsSCSI	Any	All Models	9.03-11.0/32
HP C2807A	<i>SureStore</i> 32x CD-ROM Drive				
HP C2944A ^o	4x external, parchment, HDT550	nsSCSI	Any	All Models	9.03-11.0/32
HP C2944D ^o	4x external, quartz, HDT550	nsSCSI	Any	All Models	9.03-11.0/32
HP C2948A ^o	12x CD-ROM, External	nsSCSI		Unsupported (s800 product)	Unsup.
HP C2987A ^o	8-bay networked CD-ROM tower				
HP C2988A	<i>SureStore</i> CD-ROM Tower. 8-bay networked CD-ROM tower	fnsSCSI			
HP C2989A ^o /B	<i>SureStore</i> 12x CD-ROM drive, stand-alone	nsSCSI			
HP C2997A ^o	12x CD-ROM drive, hot-pluggable	nsSCSI		C2987A/88A Towers only	
HP C3560U ^o	2x CD-ROM for C304xT	nsSCSI	Any	All Models	9.03-11.0/32
HP C4310A	CD-ROM, 12x, external, desk-top	nsSCSI	Any	All Models	9.03-9.07 ⊥ 10.01-11.0
HP C4311A	CD-ROM, 12x, external, rack-able	nsSCSI	Any	All Models	9.03-9.07 ⊥ 10.01-11.0
HP C4317RZ #101	CD-ROM, 12x, external, rack-able	nsSCSI	Any	All Models	9.03-9.07 ⊥ 10.01-11.0

CD-ROM Drive Support

Vendor & Product Number	Abbreviated Product Description	Type	Min. Boot ROM	Hardware Qualification and Support	HP-UX Support
HP C4324A°	<i>SureStore</i> 4020i: Internal 2x CDR, 4x CD-ROM	nsSCSI	Unsup.	Unsupported	ISV ⁴⁷
HP C4325A°	<i>SureStore</i> 6020i: Internal 2x CDR, 6x CD-ROM	nsSCSI	Unsup.	Unsupported	ISV ⁴⁷
HP C4343A°	<i>SureStore</i> 6020es: External 2x CDR, 6x CD-ROM	nsSCSI	Unsup.	Unsupported	ISV ⁴⁷
HP C4345A°	<i>SureStore</i> 6020ep: External 2x CDR, 6x CD-ROM	Parallel	Unsup.	No interface	No driver
HP C4353A°	<i>SureStore</i> 7100i: CD-RW, Internal 2x write, 6x read	EIDE	N/A	No interface	No driver
HP C4358A°	<i>SureStore</i> 7100e: CD-RW, External 2x write, 6x read	Parallel	N/A	No interface	No driver
HP C4365A°	<i>SureStore</i> 7110i: CD-RW, Internal 2x write, 6x read	EIDE	N/A	No interface	No driver
HP C4366A°	<i>SureStore</i> 7110e: CD-RW, External 2x write, 6x read	Parallel	N/A	Unsupported	No driver
HP C4380A	<i>SureStore</i> Cd-Writer Plus 7200e	EIDE	NOP	Unsupported	No driver
HP C4381A	<i>SureStore</i> Cd-Writer Plus 7200i	Parallel	NOP	Unsupported	No driver
HP C6512A	32x CD-ROM, HD50	fnsSCSI	Any	B-Class, C-Class, J-Class, Model 712	10.20-11.0
HP D2886°A/B	PC drive, w/ ISA nsSCSI card	nsSCSI	Unsup.	Unsupported	Unsup.
HP D2896A°	4x Internal	EIDE	N/A	Unsupported	No
HP D2941A°	PC drive, w/ ISA Audio/nsSCSI card	nsSCSI	Unsup.	Unsupported	Unsup.
HP D2992A°/D	NetServer drive	nsSCSI	Unsup.	Unsupported	Unsup.
HP D4179A	8x MultiMedia kit	EIDE	N/A	No interface	N/A
HP D4381A°	8x CD-ROM drive	EIDE	N/A	No interface	N/A
HP D4383A	24x CD-ROM drive	EIDE	N/A	No interface	N/A
HP D4384A	32x CD-ROM	EIDE	N/A	No interface	N/A
HP J3168A°	CD-ROM Server, standalone net-to-SCSI adaptor	802.3/fnsSCSI	NOP		All NFS
HP J3169A°	CD-ROM server, module for tower	802.3/fnsSCSI	NOP		
HP J3276A	CD-ROM Server Tower				
HP J3277A	CD-ROM Server/Tower 7				
HP J3278A	CD-ROM Server/Tower 7Plus				
Complementary Hardware Vendors		Note: Listing of CHV devices implies no endorsement or support of them by HP. All hardware and software support claims are drawn from information published by the CHV device supplier.			
Test & Measurement Systems, Loveland CO, 970-669-6553		http://www.tamsinc.com/			
TAMS 4020°	External Colorado 4020i drive bundle	nsSCSI	Unsup.	All Models	9.01-9.07 ⊥ 10.01-10.20
TAMS 4260P	External 6X-read, 2x-write CDR	nsSCSI	Unsup.	All Models	9.01-9.07 ⊥ 10.01-10.20

CD-ROM Notes:

45. Drives which identify as XM3201B do not function correctly on B-Class, C-Class, J-Class, Models 712/(all), 715/

64, 715/80, 715/100, 715/100XC, 725/100, 743/(all), and 748/(all). Drives which identify as XM3301B do not

function correctly on these models if another CD-ROM drive is present on the same bus.

46. Not supported on Model 710e
(upgraded Model 425e).

47. Software available from:

Elektroson BV, The Netherlands +31-
(0)40-2515065
<http://www.elektroson.com>

T.A.M.S., Loveland CO,
970-669-6553

Young Minds, Inc.,
909-335-1350
<http://www.ymi.com/>

Magneto-Optic Drives

MO drives are not supported for booting, although booting attempts may occur in some configurations.

Only re-writable media is supported by native HP-UX in Multi-Function (MF) drives. Drives obtained via OEMs or other third-party suppliers may include software that supports MF.

In general, some amount of application-level support is required to fully utilize all MO, MF and auto-changer features, such as: virtual mount, on-line drive replacement, etc. Ensure that both system-level and application-level support is provided for the device intended.

Upgrade kits are available to bring older MO auto-changers up to current technology.

For all other supported operations, MO drives may be connected via LAN (NFS, where supported by device) or to either the built-in or an add-in single-ended SCSI (nsSCSI) interface.

Wide differential SCSI (fwdSCSI) was planned for support in 7/96.

Single-ended Wide SCSI (fwsSCSI) MO configurations are not supported.

Note: MO auto-changers often have more than one SCSI ID (address), perhaps as many as 1+<number of drives in changer>. Unless you are using a recent changer model, with an HP-UX release that supports MO SCSI LUNs

(Logical Unit Numbers), check carefully to ensure that the intended SCSI bus has ample spare SCSI IDs.

HP-UX releases through 9.07 supported logically mounting every surface in an MO auto-changer, via the autoch driver.

Due to the “thrashing” behavior that this can cause during some system operations, HP-UX 10.0 and later, via the ssrfc driver, only support simultaneously mounting as many surfaces as there are drive mechanisms in the autochanger.

For information on SCSI abbreviations, see “SCSI Notation” on page 127.

Magneto-Optic Disk Drives

Vendor & Product Number	Abbreviated Product Description	Type	Min. Boot ROM	Hardware Qualification and Support	HP-UX Support
HP C1100A°	Model 20XT Optical MF Jukebox	nsSCSI	Unsup.	OEM Supported	9.03 ⁴⁸ -10.10
HP C1100B°	Model 20XT Optical MF Jukebox, LDBL50	xxSCSI ⁴⁹	Unsup.	All Models	9.03 ⁴⁸ -11.0, OB ⁵² , OS ⁵⁰
HP C1100F	<i>SureStore</i> 40fx	xxSCSI	Unsup.	Reseller supported	Unsup.
HP C1100G	<i>SureStore</i> 40fx	xxSCSI	Unsup.	All Models	9.05-11.0, OB ⁵²
HP C1100H	<i>SureStore</i> 40fx	xxSCSI	Unsup.	OEM Supported	Unsup.
HP C1100J	<i>SureStore</i> 80ex, 83GB, 16-slot, 1-drive				
HP C1101A°	Model 20XT Optical MF Jukebox	ndSCSI	Unsup.	All Models	9.03 ⁴⁸ -10.20
HP C1101F	<i>SureStore</i> 40fx	ndSCSI	Unsup.	Reseller supported	10.20-11.0, OB ⁵²
HP C1101H	<i>SureStore</i> 40fx	ndSCSI	Unsup.	OEM Supported	Unsup.
HP C1102A°	<i>SureStore</i> 20XT LAN Jukebox	802.3, NFS	Unsup.	OEM Supported	9.03 ⁴⁸ -10.20
HP C1102B°	<i>SureStore</i> 20XT LAN Jukebox	802.3, NFS	NOP	All Models	9.03 ⁴⁸ -10.20
HP C1103A°	<i>SureStore</i> 20XT	xxSCSI	Unsup.	Unsupported	Unsup.
HP C1104A°	<i>SureStore</i> 165st Jukebox, reseller	xxSCSI	Unsup.	Reseller supported	Unsup.
HP C1104B°	<i>SureStore</i> 165st Jukebox	xxSCSI	Unsup.	All Models	9.05-10.20, OB ⁵² , OS ⁵⁰
HP C1104F	<i>SureStore</i> 330fx, 2drive	xxSCSI	Unsup.	Reseller supported	Unsup.
HP C1104G	<i>SureStore</i> 330fx, 2drive	xxSCSI	Unsup.	All Models	9.05-11.0, OB ⁵²
HP C1104H	Model 330fx, 2drive	xxSCSI	Unsup.	OEM Supported	Unsup.
HP C1104J	<i>SureStore</i> 660ex, 665GB, 128-slot, 4-drive				
HP C1105F	<i>SureStore</i> 330fx, 6 drive	xxSCSI	Unsup.	Reseller supported	Unsup.
HP C1105G	<i>SureStore</i> 330fx, 6 drive	xxSCSI	Unsup.	All Models	9.05-11.0, OB ⁵²
HP C1105H	Model 330fx, 6 drive	xxSCSI	Unsup.	OEM Supported	Unsup.

Magneto-Optic Disk Drives

Vendor & Product Number	Abbreviated Product Description	Type	Min. Boot ROM	Hardware Qualification and Support	HP-UX Support
HP C1105J	<i>SureStore</i> 660ex, 665GB, 128-slot, 6-drive				
HP C1106A°	<i>SureStore</i> 165st Jukebox, OEM	xxSCSI	Unsup.	OEM supported	Unsup.
HP C1107A°	<i>SureStore</i> 300st jukebox, reseller	xxSCSI	Unsup.	Reseller supported	Unsup.
HP C1107B°	<i>SureStore</i> 300st Jukebox	xxSCSI	Unsup.	All Models	9.05-10.20, OB ⁵² , OS ⁵⁰
HP C1107F	<i>SureStore</i> 600fx, 6 drive	xxSCSI	Unsup.	Reseller supported	Unsup.
HP C1107G	<i>SureStore</i> 600fx, 6 drive	xxSCSI	Unsup.	All Models	9.05-11.0, OB ⁵²
HP C1107H	Model 600fx, 6 drive	xxSCSI	Unsup.	OEM supported	Unsup.
HP C1107J	<i>SureStore</i> 1200ex, 1237GB, 238-slot, 6-drive				
HP C1108F	<i>SureStore</i> 600fx, 8 drive	xxSCSI	Unsup.	Reseller supported	Unsup.
HP C1108G	<i>SureStore</i> 600fx, 8 drive	xxSCSI	Unsup.	All Models	9.05-11.0, OB ⁵²
HP C1108H	Model 600fx, 8 drive	xxSCSI	Unsup.	OEM supported	Unsup.
HP C1109A°	<i>SureStore</i> 300st Jukebox, OEM	xxSCSI	Unsup.	OEM supported	Unsup.
HP C1110F	<i>SureStore</i> 600fx Jukebox, 10 Dr.	xxSCSI	Unsup.	Reseller supported	Unsup.
HP C1110G	<i>SureStore</i> 600fx Jukebox, 10 Dr.	xxSCSI	Unsup.	All Models	9.05-11.0, OB ⁵²
HP C1110H	<i>SureStore</i> 600fx Jukebox, 10 Dr.	xxSCSI	Unsup.	OEM supported	Unsup.
HP C1110J	<i>SureStore</i> 1200ex, 1237GB, 238-slot, 10-drive				
HP C1111J	<i>SureStore</i> 1200ex, 1237GB, 238-slot, 4-drive				
HP C1112F	<i>SureStore</i> 600fx Jukebox, 12 Dr.	xxSCSI	Unsup.	Reseller supported	Unsup.
HP C1112G	<i>SureStore</i> 600fx Jukebox, 12 Dr.	xxSCSI	Unsup.	All Models	9.05-11.0, OB ⁵²
HP C1112H	<i>SureStore</i> 600fx Jukebox, 12 Dr.	xxSCSI	Unsup.	OEM supported	Unsup.
HP C1113J	8x MO drive	fnsSCSI	Unsup.		
HP C1114F	<i>SureStore</i> 2600fx 2.6GB drive	xxSCSI	Unsup.	Reseller supported	Unsup.
HP C1114G	<i>SureStore</i> 2600fx 2.6GB drive	xxSCSI	Unsup.	All Models	9.05-11.0, OB ⁵²
HP C1114H	Model 2600fx 2.6GB drive	xxSCSI	Unsup.	OEM supported	Unsup.
HP C1114J	<i>SureStore</i> Model 5200ex, 5.2GB, stand-alone	fnsSCSI	Unsup.		
HP C1115F	<i>SureStore</i> 40fx, 2 drive	xxSCSI	Unsup.	Reseller supported	Unsup.
HP C1115G	<i>SureStore</i> 40fx, 2 drive	xxSCSI	Unsup.	All Models	9.05-11.0, OB ⁵²
HP C1115H	<i>SureStore</i> 40fx, 2 drive	xxSCSI	Unsup.	OEM Supported	Unsup.
HP C1115J	<i>SureStore</i> 80ex, 83GB, 16-slot, 2-drive				
HP C1116F	<i>SureStore</i> 40fx, 2 driver	ndSCSI	Unsup.	Reseller supported	Unsup.
HP C1116H	<i>SureStore</i> 40fx, 2 driver	ndSCSI	Unsup.	OEM Supported	Unsup.
HP C1150A°	<i>SureStore</i> 40XT Optical Jukebox	nsSCSI or ndSCSI	Unsup.	OEM Supported	9.03 ⁴⁸ -9.07
HP C1150B°	<i>SureStore</i> 40XT Optical Jukebox, HDTS50	nsSCSI or ndSCSI	Unsup.	All Models	9.03 ⁴⁸ -11.0, OB ⁵² , OS ⁵⁰
HP C1150F	<i>SureStore</i> 80fx, 2 drive	xxSCSI	Unsup.	Reseller supported	Unsup.
HP C1150G	<i>SureStore</i> 80fx, 2 drive	xxSCSI	Unsup.	All Models	9.05-11.0, OB ⁵²
HP C1150H	<i>SureStore</i> 80fx, 2 drive	xxSCSI	Unsup.	OEM Supported	Unsup.

Magneto-Optic Disk Drives

Vendor & Product Number	Abbreviated Product Description	Type	Min. Boot ROM	Hardware Qualification and Support	HP-UX Support
HP C1150J	SureStore 160ex, 166GB, 32-slot, 2-drive		Unsup.		
HP C1152A°	SureStore 40ST LAN Jukebox	802.3, NFS	NOP		
HP C1152B°	SureStore 40ST LAN Jukebox	802.3, NFS	NOP		
HP C1153A°	SureStore 40ST	xxSCSI	Unsup.		
HP C1160A°	SureStore 80ST Optical Library	nsSCSI or ndSCSI	Unsup.	OEM Supported	9.03 ⁴⁸ -9.07
HP C1160B°	SureStore 80ST Optical Library	nsSCSI or ndSCSI	Unsup.	All Models	9.03 ⁴⁸ -11.0, OB ⁵² , OS ⁵⁰
HP C1160F	SureStore 160fx, 4 drive	xxSCSI	Unsup.	Reseller supported	Unsup.
HP C1160G	SureStore 160fx, 4 drive	xxSCSI	Unsup.	All Models	9.05-11.0, OB ⁵²
HP C1160H	SureStore 160fx, 4 drive	xxSCSI	Unsup.	OEM Supported	Unsup.
HP C1160J	SureStore 320ex, 332GB, 64-slot, 4-drive		Unsup.		
HP C1162A°	SureStore 80ST LAN Jukebox	802.3, NFS	NOP		
HP C1162B°	SureStore 80ST LAN Jukebox	802.3, NFS	NOP		
HP C1163A°	SureStore 80ST	xxSCSI	Unsup.		
HP C1170A°	SureStore 100ST Optical Jukebox	nsSCSI or ndSCSI	Unsup.	OEM Supported	9.03 ⁴⁸ -9.07
HP C1170B°	SureStore 100ST Optical Jukebox	nsSCSI or ndSCSI	Unsup.	All Models	9.03 ⁴⁸ -11.0, OB ⁵² , OS ⁵⁰
HP C1170F	SureStore 200fx, 2 drive	xxSCSI	Unsup.	Reseller supported	Unsup.
HP C1170G	SureStore 200fx, 2 drive	xxSCSI	Unsup.	All Models	9.05-11.0, OB ⁵²
HP C1170H	SureStore 200fx, 2 drive	xxSCSI	Unsup.	OEM Supported	Unsup.
HP C1170J	SureStore 400ex, 395GB, 76 slot, 2-drive				
HP C1172A°	SureStore 100ST LAN Jukebox	802.3, NFS	NOP		
HP C1172B°	SureStore 100ST LAN Jukebox	802.3, NFS	NOP		
HP C1173A°	SureStore 100ST	xxSCSI			
HP C1700A°	Model 20GB/A MO autochanger	nsSCSI	Unsup.	Models J200, J210, 712/(all), 715/64, 715/80, 715/100, 715/100XC, 720, 725/100, 730, 743i/(all), 745i/(all), 747i/(all), 748i/(all) 750 and 400 Upgrades	8.07-10.01
HP C1700C°	Model 6300/650C multi-function stand-alone				
Option 001	Single-ended	nsSCSI	Unsup.	All Models	9.03-11.0, OB ⁵²
HP C1700M°	Model 20GB/M multi-function	nsSCSI	Unsup.	AIMS on Series 800 only	Unsup.
HP C1700T°	Model 40T Optical Jukebox	nsSCSI	Unsup.	All Models	9.03 ⁴⁸ -11.0, OB ⁵² , OS ⁵⁰

Magneto-Optic Disk Drives

Vendor & Product Number	Abbreviated Product Description	Type	Min. Boot ROM	Hardware Qualification and Support	HP-UX Support
HP C1701A°	Model 650/A single MO	nsSCSI	Unsup.	Models J200, J210, 712/(all), 715/64, 715/80, 715/100, 715/100XC, 720, 725/100, 730, 743i/(all), 745i/(all), 747i/(all), 748i/(all) 750 and 400 Upgrades	8.07-11.0, OB ⁵²
HP C1701C°	650 MB stand-alone multi-function	nsSCSI	Unsup.	All Models	9.03-11.0
HP C1701M°	650 MB stand-alone multi-function	nsSCSI	Unsup.	Unsupported	Unsup.
HP C1703A°	Model 10GB/A MO autochanger	nsSCSI	Unsup.	Models 720, 725/100, 730, 745i/(all), 747i/(all), 750 and 400 Upgrades	8.07-10.20
HP C1704A°	Model 60GB/A MO autochanger				
Option 001	Single-ended SCSI	nsSCSI	Unsup.	Models J200, J210, 712/(all), 715/64, 715/80, 715/100, 715/100XC, 720, 725/100, 730, 743i/(all), 748i/(all) 750 and 400 Upgrades	8.07-10.20
Option 002	Differential SCSI	ndSCSI	Unsup.	Unsupported	Unsup.
HP C1704C°	57 GB multi-function optical library				
Option 001	Single-ended	nsSCSI	Unsup.	All Models	9.03 ⁴⁸ -11.0, OB ⁵²
Option 002	Differential	ndSCSI			
HP C1704M°	Model 60GB/M multi-function	nsSCSI	Unsup.	AIMS on Series 800 only	Unsup.
HP C1704T°	Model 120T Optical Jukebox, LDBL50				OS ⁵⁰
Option 001	Single-ended	nsSCSI	Unsup.	All Models	9.05 ⁴⁸ -11.0, OB ⁵²
HP C1705A°	Model 100GB/A MO autochanger				
Option 001	Single-ended SCSI	nsSCSI	Unsup.	Models 720, 730, 745i/(all), 747i/(all), 750 and 400 Upgrades	8.07-10.10
Option 002	Differential	ndSCSI	Unsup.		
HP C1705C°	44 GB multi-function optical library				
Option 001	Single-ended SCSI	nsSCSI	Unsup.	All Models	9.05 ⁴⁸ -11.0, OB ⁵²
Option 002	Differential	ndSCSI	Unsup.		
HP C1705M°	Model 100GB/M multi-function	nsSCSI	Unsup.	AIMS on Series 800 only	Unsup.
HP C1705T°	Model 200T Optical Jukebox, LDBL50				OS ⁵⁰
Option 001	Single-ended	nsSCSI	Unsup.	All Models	9.05 ⁴⁸ -10.20, OB ⁵²
HP C1708C°	Model 10LC multi-function Optical Library				
Option 001	Single-ended SCSI	nsSCSI	Unsup.	All Models	9.05 ⁴⁸ -10.20, OB ⁵²
Option 002	Differential	ndSCSI	Unsup.		
HP C1708T°	20 GB multi-function optical library		Unsup.		10.01-11.0, OB ⁵² , OS ⁵⁰
HP C1710A°	20 GB lib (OEM)	xxSCSI	Unsup.	Unsupported	Unsup.
HP C1710C°	Model 10C MF lib (distr)	xxSCSI	Unsup.	OEM Supported	Unsup.
HP C1710M°	(OEM)	xxSCSI	Unsup.	Unsupported	Unsup.
HP C1711C°	650 MB stand-alone MF	nsSCSI	Unsup.	Unsupported	Unsup.
HP C1713C°	Model 20C (distr)	xxSCSI	Unsup.	Unsupported	Unsup.
HP C1713M°	10 GB library (OEM)	xxSCSI	Unsup.	Unsupported	Unsup.

Magneto-Optic Disk Drives

Vendor & Product Number	Abbreviated Product Description	Type	Min. Boot ROM	Hardware Qualification and Support	HP-UX Support
HP C1714C°	Model 60C (57 GB) library (OEM)	xxSCSI	Unsup.	Unsupported	Unsup.
HP C1714°M/T	Model 60 (distr)	xxSCSI	Unsup.	Unsupported	Unsup.
HP C1715C°	Model 100C (OEM)	xxSCSI	Unsup.	OEM Supported	Unsup.
HP C1715°M/T	Model 100 MF (OEM)	xxSCSI	Unsup.	OEM Supported	Unsup.
HP C1716C°	Drive mechanism	nsSCSI	?	Supported only as a component of an otherwise supported product.	◀
HP C1716F°	Drive mechanism	ndSCSI	?	Supported only as a component of an otherwise supported product.	◀
HP C1718C°	10LC 10 GB MF lib	nsSCSI	Unsup.	OEM Supported	
Option 002	Differential	ndSCSI	Unsup.	OEM Supported	
HP C1718CA°	Model 10LC Optical Jukebox	xxSCSI	Unsup.	Unsupported (PC version)	Unsup.
HP C1718T°	20 GB MF (OEM)	nsSCSI	Unsup.	OEM Supported	
HP C2212A°° Option 005	(see C2294A)				
HP C2213A°° Option 005°	(see C2294A)				
HP C2294A°°	Magneto-Optic upgrade for C2212-14	nsSCSI	Unsup.	C2212/13/14/A/B	8.05-10.20 [∇]
HP C2294T°	MO add-on for C2216/17T	nsSCSI	Unsup.	C2261/17T	8.07-10.20
HP C2550A°	Model 1300T 1.3 GByte multi-function MO drive	nsSCSI	Unsup.	Unsupported	Unsup.
HP C2550°B/C	1.3 GByte multi-function MO drive, LDBL50	nsSCSI	Uns. ⁵¹	All Models	10.01-11.0, OB ⁵²
HP C2550T°	1.3 GB multi-function MO drive	nsSCSI	Unsup.	All Models	9.05 ⁵³ -10.20

Magneto-Optic Notes:

48. Requires C258xA or C259xA AMASS or OmniBack-II software.
49. Optical auto-changers are usually available with nsSCSI, ndSCSI, fwsSCSI and fwdSCSI. Only nsSCSI is officially supported at this time. fwdSCSI is planned for 7/96. ndSCSI, via the A25525B EISA card is not offi-

- cially supported. HP provides no fwsSCSI interface for HP PA-RISC Workstations.
50. Supported by OmniStorage, B197xBA, 9.01 and later.

51. A "direct access" switch on the rear of the drive permits booting, although this is not officially supported, and no bootable media is provided by HP.
52. Supported by OmniBack-II
53. Requires OmniBack-II software. WORM media not supported.

Magnetic Tape Drives (Internal and External)

HP PA-RISC Workstations presently support only 8-bit single-ended (nsSCSI) SCSI and selected CS/80 (HP-IB) tape drives.

For information on SCSI notation, see the Table on page 127.

A CS/80 driver is provided for two HP-IB cartridge tape drives, and this matrix reflects what is known about the use of that software with other HP-IB devices.

All devices listed as type “CS/80” employ an HP-IB interface. CS/80 and

SS/80 devices may be used only with the 25560A EISA HP-IB card. These drivers are non-functional with the E2070A/B, E2071A, 82355B and other ISA HP-IB cards.

No AMIGO (HP-IB) command set devices are supported. Devices listed as “GSD78” are HP-IB and employ variants of the HP 7978A command language. None are supported. The 7979A and 7980A/XC may be upgraded to 7979S and 7980S/SX versions (kits with HP product number in the range 88703-707x).

The “Min. Boot ROM” column indicates the minimum revision of PDC code required to boot an install system, recovery system or diagnostic kernel from the device. Booting from HP-IB devices is not possible (no ROM), and this capability is not planned.

As of HP-UX release 10.20, only CD-ROM is used for software distribution. DAT/DDS, DC600HC and ½-inch 9-track media options are no longer offered.

Magnetic Tape Drives

Vendor & Product Number	Abbreviated Product Description	Type	Min. Boot ROM	Hardware Qualification and Support	HP-UX Support
HP A1447A ^{oo}	4mm 1.3Gb DDS (DAT), internal	nsSCSI	Unsup.	Model 715s	9.0-9.07 ⊥ 10.01-10.20 ∇
HP A1449A ^o	¼-in. 60Mb QIC-24 ctg., internal	nsSCSI	Unsup.	Series 400 upgrades only	9.0-9.07 ⊥ 10.01-10.20 ∇
HP A1726A ^{oo}	7980S for Series 800	nsSCSI	Unsup.	Never supported	Never supported
HP A1990A ^{oo}	4mm DDS, 1.3 Gbyte, internal	nsSCSI	Any	Models 750, 755/99, 750/125	8.05-10.20 ∇
HP A2254A ^o	4mm DDS, Series 300	nsSCSI	Unsup.	Unsupported	Unsup.
HP A2274A	4mm DDS, 2.0 Gbyte, internal				
Option AHR	For Models 705, 710	nsSCSI	Any	Models 705, 710, 715s	8.07-9.07 ⊥ 10.01-10.20 ∇
Option AHS	For Models 750, 755	nsSCSI	Any	Models 750, 755/99, 755/125	8.07-10.20 ∇
Option AHV	For Model 715	nsSCSI	1.1	Models 715/33, 715/50	9.0-10.20 ∇
Option AHW	For Model 725	nsSCSI	1.1	Models 725/50, 725/75, 725/100	9.0-10.20 ∇
HP A2275A	4mm DDS, compressed, internal				
Option AHR	For Models 705, 710	nsSCSI	Any	Models 705, 710 ⁵⁴	8.07-9.07 ⊥ 10.01-10.20 ∇
Option AHS	For Models 750, 755	nsSCSI	Any	Models 750, 755/99, 755/125	8.07-10.20 ∇
Option AHV	For Model 715	nsSCSI	1.1	Models 715/33, 715/50, 715/100, 715/100XC	9.0-11.0/32
Option AHW	For Model 725	nsSCSI	1.1	Models 725/50, 725/75, 725/100	9.0-11.0/32
HP A2311A ^o	QIC-525 ctg., s800 internal	nsSCSI	Unsup.	Unsupported	Unsup.
HP A2474A	4mm DDS for s800/H Series	nsSCSI	Unsup.	Unsupported	Unsup.
HP A2475A	4mm DDS for s800/I Series	nsSCSI	Unsup.	Unsupported	Unsup.
HP A2642A ^o	4mm DDS, 2.0 Gbyte, internal	nsSCSI	Any	TelePACE, Models 745i, 747i, 748i	9.0-11.0/32
HP A2643A	4mm DDS, 2.0 Gbyte+DC, internal, 3½-in. and 5¼-in.	nsSCSI	Any	TelePACE, Models 745i, 747i, 748i, 748/132L	9.0-11.0/32
HP A2656A	4mm DDS, 2.0 Gbyte, external	nsSCSI	Any	All Models	9.03-11.0, OB ⁵⁷
HP A2944A	QIC-1050 ctg., s800 internal	nsSCSI	Unsup.	Unsupported	Unsup.
HP A3024A ^o	5GB Exabyte	nsSCSI	Unsup.	Series 800	Unsup.

Magnetic Tape Drives

Vendor & Product Number	Abbreviated Product Description	Type	Min. Boot ROM	Hardware Qualification and Support	HP-UX Support
HP A3183A	4mm DDS, 2.0 Gbyte+DC, internal	nsSCSI	Any	EPS20, K-Class	10.01-10.20
HP A3322A°	4GB DDS	nsSCSI	Any	All Models	9.05-9.07 ⊥ 10.01-11.0
HP A3324A°	4mm DDS-2 external	nsSCSI	Any	K-Class, other Models under investigation	9.05-11.0, OB ⁵⁷
HP A3330A°	4mm DDS, 2.0 Gbyte+DC, internal	nsSCSI	Unsup.	Server device	Unsup.
HP A3357A#002	8mm 7GB, MPE device	nsSCSI		K-Class	10.01-10.20, OB ⁵⁷
HP A3400A°	Series 6400 Model 48AL DDS-2 autoloader	nsSCSI		ISG: All Models	9.03 ⁵⁵ -10.20, OB ⁵⁷
HP A3415A	4mm DDS for Series 900	nsSCSI	Unsup.	Unsupported	Unsup.
HP A3542A	4mm DDS3, 12-24GB	nsSCSI	Any	K-Class	10.01-10.20
HP A3544A°	Desktop DLT Library 4/48	fwdSCSI	Unsup.	C-Class, J-Class, K-Class, Model 725/100	9.04 ⊥ 10.01-11.0 w/OmniBack-II
HP A3545A°	Desktop DLT Library 2/48	fwdSCSI	Unsup.	C-Class, J-Class, K-Class, Model 725/100	9.04 ⊥ 10.01-11.0 w/OmniBack-II
HP A3546A°	Desktop DLT Library 2/28	fwdSCSI	Unsup.	C-Class, J-Class, K-Class, Model 725/100	9.04 ⊥ 10.01-11.0 w/OmniBack-II
HP A3590A°	Desktop DLT4000	fwdSCSI	Unsup.	C-Class, J-Class, K-Class, Model 725/100	9.04 ⊥ 10.01-11.0 w/OmniBack-II
HP A3635A°	Desktop DLT4000 SE	fnSCSI	Unsup.	MPE device only	Unsup.
HP A3640A	12/24 GB DDS-3	nsSCSI		All Models	10.10-11.0
HP A3716A°	12/24 GB DDS-3, autochanger	nsSCSI		All Models	10.01-11.0 w/OmniBack-II
HP A4076A°	2 GB DDS1	nsSCSI	Any	B-Class	10.20
HP A4186A	2/4GB DDS	nsSCSI	Any	Models 715 (except /s and /t), 725, 735, 748, 755, J200, J210, C100, C110, B132, B160 and B180.	9.03-11.0/32
HP A4187A	2/4GB DDS	nsSCSI		Models 743, 744, 745/50, 745/100, 747, 748/1all	9.03-10.20 ∇
HP A4216A	4 GB DDS2	nsSCSI	Any	B-Class	10.20-11.0/32
HP A4243A	12 GB DDS3 for C-Class	nsSCSI	Any	C-Class	10.20-11.0
HP A4249A	12 GB DDS3 for J-Class	nsSCSI		J-Class	10.20-11.0
HP A4252A	12 GB DDS3	nsSCSI		Models 743, 744, 748i/64, 748i/100, 748i/132L, 748/165L	10.01-11.0/32
HP A4281A°	4mm DDS, 4 GB, parchment	nsSCSI	Any	Models C100, C110, J200, J210, J210XC, 715/100XC	9.05-11.0/32
HP A4281D	4mm DDS, 4 GB, quartz	nsSCSI	Any	Models C100, C110, J-Class	9.05-11.0
HP A4292A	4GB/8Z 4mm DDS2	nsSCSI	Any	Models 715/64, 715/80, 715/100, 715/100XC	10.20-11.0/32
HP A4306A	4GB/8Z 4mm DDS2	nsSCSI	Any	Models 745/50, 745/100, 747/50, 747/100	10.20 ∇
HP A4307A	4mm DDS, 4 GB	nsSCSI	Any	Models 743, 744, 745/132L, 748/132L, 748/165L	9.05-11.0/32
HP A4448A	4mm DDS for Series 300	nsSCSI	N/A	Unsupported	Unsupported

Magnetic Tape Drives

Vendor & Product Number	Abbreviated Product Description	Type	Min. Boot ROM	Hardware Qualification and Support	HP-UX Support
HP A4462A°	4mm DDS, 2 GB	nsSCSI	Any	Models C160, C160L, C180	10.20-11.0
HP A4462D	4mm DDS, 2 GB	nsSCSI	Any	Models C110, C160, C160L, C180	10.20-11.0
HP A4465A°	4mm DDS-2, 4GB	nsSCSI	Any	Model 755	10.20∇
HP A4466A	4mm DDS-2, 4 GB, parchment	nsSCSI	Any	C-Class	9.05-9.07 ⊥ 10.01-11.0
HP A4466D	4mm DDS-2, 4 GB, quartz	nsSCSI	Any	C-Class	9.05-9.07 ⊥ 10.01-11.0
HP A4467A	4mm DDS2, 4GB, parchment	nsSCSI	Any	J200, J210, J210XC,	9.05-9.07 ⊥ 10.01-10.20∇
HP A4467D	4mm DDS2, 4GB, quartz	nsSCSI	Any	J-Class	9.05-9.07 ⊥ 10.01-11.0
HP A4806A	ATL 2640 (Automatic Tape Library), 9.2-50 TeraBytes, 3 DLT7000 drives	fwdSCSI	N/A	Unsupported. SPP, S-Class and V-Class only	Unsup.
HP A4842A	DLT4000 for Model 2/15	Per Library	NOP	See A4851A	←
HP A4843A	DLT7000 for Model 2/15	Per Library	NOP	See A4851A	←
HP A4844A	DLT4000 for Model 6/100	Per Library	NOP	See A4846A	←
HP A4845A	Model 10/588 Automated DLT4000 or DLT7000 tape library	fwdSCSI or fwsSCSI	NOP	J-Class w/fwdSCSI, K-Class	10.01-10.20
HP A4846A	Model 6/100 Automated DLT4000 or DLT7000 tape library	fwdSCSI or fwsSCSI	NOP	J-Class w/fwdSCSI, K-Class	10.01-10.20
HP A4847A	DLT4000 for Model 10/588	Per Library	NOP	See A4845A	←
HP A4848A	DLT7000 for Model 10/588	Per Library	NOP	See A4845A	←
HP A4850A	Model 2/28 DLT4000 or DLT7000 Automated tape library	fwdSCSI or fwsSCSI	NOP	J-Class, w/fwdSCSI, K-Class	10.10-10.20 w/OmniBack-II
HP A4851A	Model 2/15 DLT4000 or DLT7000 Automated tape library	fwdSCSI or fwsSCSI	NOP	J-Class, w/fwdSCSI, K-Class	10.10-10.20 w/OmniBack-II
HP A4853A	Model 3/30 DLT4000 or DLT7000 Automated tape library	fwdSCSI or fwsSCSI	NOP	J-Class, w/fwdSCSI, K-Class	10.01-10.20
HP A4855A	Model 4/28 DLT4000 or DLT7000 Automated tape library	fwdSCSI or fwsSCSI	NOP	J-Class, w/fwdSCSI, K-Class	10.01-10.20
HP A4860A	DLT4000 for Model 3/30	Per Library	NOP	See A4853A	←
HP A4861A	DLT7000 for Model 3/30	Per Library	NOP	See A4853A	←
HP A4867A	DLT7000 for Model 6/100	Per Library	NOP	See A4846A	←
HP A4956A	4mm DDS2, 4-8GB	nsSCSI	Any	B-Class, C-Class	10.20-11.0
HP C1191F	<i>SureStore</i> DLT 4228, Reseller	fwdSCSI	Unsup.	Reseller supported	Reseller supported
HP C1191H	<i>SureStore</i> DLT 4228, OEM	fwdSCSI	Unsup.	Reseller supported	Reseller supported
HP C1192F	<i>SureStore</i> DLT 4248, Reseller	fwdSCSI	Unsup.	Reseller supported	Reseller supported
HP C1192H	<i>SureStore</i> DLT 4248, OEM	fwdSCSI	Unsup.	Reseller supported	Reseller supported
HP C1194F	<i>SureStore</i> DLT 4448, Reseller	fwdSCSI	Unsup.	Reseller supported	Reseller supported
HP C1194H	<i>SureStore</i> DLT 4448, OEM	fwdSCSI	Unsup.	Reseller supported	Reseller supported
HP C1501A ^{56o}	4mm DDS, internal	GSD78	NOP	Unsupported	Unsup.
HP C1502A°	4mm DDS, internal.	nsSCSI	⇒	See A1447A, A1990A, C2224A, C2292x, C2463x, C2475x	←
HP C1503A	4mm DDS, internal.	nsSCSI	⇒	See C1520A, C2214x, C2216x, C2217x	←
HP C1503B	4mm DDS, internal.	nsSCSI	⇒	Refer to Series 800 product number.	←

Magnetic Tape Drives

Vendor & Product Number	Abbreviated Product Description	Type	Min. Boot ROM	Hardware Qualification and Support	HP-UX Support
HP C1503C	4mm DDS, internal.	nsSCSI	⇒	Refer to Series 700 product number.	⇐
HP C1504B	4mm DDS, 2GB+DC, internal.	nsSCSI	⇒	Refer to Series 700 or 800 product number.	⇐
HP C1511A°	4mm DDS, 1.3 Gbyte, stand-alone	GSD78	NOP	Unsupported	10.01-11.0, OB ⁵⁷
HP C1512A°	4mm DDS, 1.3 Gbyte, stand-alone	nsSCSI	Any	Supported on all Models	8.05-10.20, OB ⁵⁷ , OS ⁵⁹
HP C1513C	4mm DDS, internal	nsSCSI	⇒	Refer to Series 700 or 800 product number.	⇐
HP C1514C	4mm DDS, internal	nsSCSI	⇒	Refer to Series 700 or 800 product number.	⇐
HP C1520A°	4mm DDS, 2.0 Gbyte, stand-alone	nsSCSI	Unsup.	Unsupported	Unsup.
HP C1520B°	Series 6400 Model 2000 4mm DDS, 2.0 Gbyte, stand-alone	nsSCSI	Any	All Models	8.07-11.0, OB ⁵⁷ , OS ⁵⁹
HP C1520E°	<i>JetStore 2000e</i> 4mm DDS, 2.0 Gbyte, stand-alone	nsSCSI			
HP C1520F°/G°/H	<i>SureStore 2000e</i> 2GB 4mm DDS external	nsSCSI	Unsup.	All Models	10.01-11.0, OB ⁵⁷
HP C1521B°	Series 6400 Model 2000DC 4mm DDS, 2.0 Gbyte+DC, stand-alone	nsSCSI	Any	All Models	8.07-11.0, OB ⁵⁷ , OS ⁵⁹
HP C1521E°	<i>JetStore 5000e</i> 4mm DDS, 2.0GB+DC stand-alone	nsSCSI	Unsup.	Unsupported	Unsup.
HP C1521F°/G°/H	<i>JetStore 5000e</i> 4mm DDS, 2.0GB+DC stand-alone	nsSCSI	Unsup.	All Models	10.01-11.0, OB ⁵⁷
HP C1522A°	4mm DDS, 2.0GB+DC stand-alone	mcSCSI	Unsup.	Unsupported	Unsup.
HP C1522E°	<i>JetStore 2000e</i> Mac, stand-alone	mcSCSI	Unsup.	Unsupported	Unsup.
HP C1523A°	<i>JetStore 2000e</i> , Netware				
HP C1523E°	<i>JetStore 2000e</i> PC, stand-alone	nsSCSI	Unsup.	Unsupported	Unsup.
HP C1524A°	<i>JetStore 5000e</i> Netware				
HP C1524E°	<i>JetStore 5000e</i> Netware, stand-alone	nsSCSI	Unsup.	Unsupported	Unsup.
HP C1525A°	<i>JetStore 2000i</i> PC, internal	nsSCSI	Unsup.	Unsupported	Unsup.
HP C1525F°/G°/H	<i>SureStore 2000i</i> 2GB 4mm DDS internal	nsSCSI	Unsup.	Unsupported	Unsup.
HP C1526A°	<i>JetStore 5000i</i> PC, internal	nsSCSI	Unsup.	Unsupported	Unsup.
HP C1526F°/G°/H	<i>SureStore 5000i</i> 4GB 4mm DDS-DC internal	nsSCSI	Unsup.	All Models	10.01-11.0, OB ⁵⁷
HP C1527A°	<i>JetStore 5000e</i> PC, stand-alone	nsSCSI	Unsup.	Unsupported	Unsup.

Magnetic Tape Drives

Vendor & Product Number	Abbreviated Product Description	Type	Min. Boot ROM	Hardware Qualification and Support	HP-UX Support
HP C1528A°/F°/H	<i>JetStore</i> 6000i PC, internal	nsSCSI	Unsup.	All Models	10.01-11.0, OB ⁵⁷
HP C1529A°/F°/H	<i>JetStore</i> 6000e, ~8GB(DC), external	nsSCSI		All Models	10.01-11.0, OB ⁵⁷
HP C1530B°	Series 6400 Model 4000DC 4mm DDS, ~8 GB (DC), stand-alone	nsSCSI	Any	All Models	9.05 ⁵⁷ -11.0, OB ⁵⁷ , OS ⁵⁹
HP C1531A°	<i>JetStore</i> 6000i Netware, internal	nsSCSI	Unsup.	Unsupported	Unsup.
HP C1533A ⁵⁸	OEM DAT Drive, DDS2-DC, 8GB	nsSCSI	Unsup.	May be supported under other HP product numbers,	Unsup.
HP C1536A					
HP C1541A°	<i>JetStore</i> 6000e Netware, external	nsSCSI	Unsup.	Unsupported	Unsup.
HP C1549A	<i>SureStore</i> DLT30e	nsSCSI	Unsup.	ISG: All Models	9.03-9.07 ⊥ 10.01-10.20
HP C1551A°/B°	<i>SureStore</i> 5000eU external 4 GB DDS-DC drive	nsSCSI		ISG: All Models	9.01-11.0 w/ OmniBack-2
HP C1552A°	<i>SureStore</i> 6000eU external 8 GB DDS2-DC drive	nsSCSI		ISG: All Models	9.01-11.0 w/ OmniBack-II
HP C1553A	OEM DAT Autoloader DDS2-DC, 48GB	nsSCSI	Unsup.	Unsupported	Unsup.
HP C1555A°/B°	<i>SureStore</i> DAT24i, internal	nsSCSI	TBD	ISG: All Models	10.10-10.20
HP C1556A°/B	<i>SureStore</i> DAT24e for PC	nsSCSI	Unsup.	All Models	10.01-11.0, OB ⁵⁷
HP C1559A°/B	<i>SureStore</i> DAT24e, DAT24x6e	nsSCSI	TBD	ISG: All Models	9.01 ⊥ 10.01-10.20
HP C1560B°	Series 6400 Model 48AL DDS-2 autoloader	nsSCSI		ISG: All Models; requires dedicated nsSCSI bus	9.01 ⁵⁷ -10.20, OB ⁵⁷ , OS ⁵⁹
HP C1561A°	<i>SureStore</i> 12000e 48GB 8GB DDS2-DC autoloader	nsSCSI	Unsup.	ISG: All Models	9.01-11.0 w/ OmniBack-II, OS ⁵⁹
HP C1562B°	Series 6400 Model 48AL DDS-2 autoloader, w/HP NetWorker	nsSCSI		ISG: All Models; requires dedicated nsSCSI bus	9.01-9.07, 10.x planned
HP C1565A°/B°	<i>SureStore</i> 12000e LABS autoloader, NetWare	nsSCSI	Unsup.	Unsupported	Unsup.
HP C1567A°/B°	<i>SureStore</i> 2000e for NetWare	nsSCSI	Unsup.	Unsupported	Unsup.
HP C1568A°/B°	<i>SureStore</i> 5000e for NetWare	nsSCSI	Unsup.	Unsupported	Unsup.
HP C1569A°/B°/C°	<i>SureStore</i> 6000e for NetWare	nsSCSI	Unsup.	Unsupported	Unsup.
HP C1579A	<i>SureStore</i> DLT40e	nsSCSI	Unsup.	ISG: All Models	9.03-9.07 ⊥ 10.01-10.20
HP C1590A°	4¥C1511A-type DDS drives	GSD78	NOP	Unsupported	No driver
HP C1595A°/B°/C	<i>SureStore</i> DAT8e for Netware	nsSCSI	Unsup.	Unsupported	Unsup.
HP C1596A°/B°/C	<i>SureStore</i> DAT8i for Netware	nsSCSI	Unsup.	Unsupported	Unsup.
HP C1597A°/B°/C	<i>SureStore</i> DAT8e for NT	nsSCSI	Unsup.	Unsupported	Unsup.
HP C1598A°/B°/C	<i>SureStore</i> DAT8i for NT	nsSCSI	Unsup.	Unsupported	Unsup.
HP C2212/13/14°	Series 6000 Enclosure				
Option 003°	(DDS: see C2292A)				
Option 006°	(QIC: see C2296D°)				
HP C2224A°°	4mm DDS, 2.0 Gbyte, for C226xA	nsSCSI	Unsup.	Never supported	Never supported
HP C2224°°B°/C°/M°°	4mm DDS, 2.0 Gbyte, for C226xA/E/M	nsSCSI	Unsup.	Unsupported	Unsup.

Magnetic Tape Drives

Vendor & Product Number	Abbreviated Product Description	Type	Min. Boot ROM	Hardware Qualification and Support	HP-UX Support
HP C2225A ^{oo}	4mm DDS, compressed, for C226xA/E/M	nsSCSI	Unsup.	Unsupported	Unsup.
HP C2292A ^{oo}	4mm DDS, 1.3 Gbyte, add-on	nsSCSI	Any	All Models	8.05-10.10 [∇]
HP C2296D ^{oo}	¼-in. 60Mb QIC-24 ctg.	nsSCSI	Unsup.	Formerly supported: Series 400 upgrades only	Formerly supported: 9.0-9.07 ⊥ 10.01-10.20 [∇]
HP C2216 ^{oo} /17T ^{oo}	Series 6000 Enclosure				
HP C2292A ^{oo}	4mm DDS, 1.3 Gbyte, add-on	nsSCSI	Any	Models MPS10, 705, 710, 715/33, 715/50, 715s/t, 720, 725/50, 725/75, 730, 735/(all), 742i, 745i/(all), 747i/(all), 750, 755/(all).	9.0-10.20 [∇]
HP C2297T ^{oo}	4mm DDS, 2.0 Gbyte, for C2216/17T disk	nsSCSI	Any	All Models	8.07-10.20 [∇]
HP C2297U ^o	4mm DDS, 2.0 Gbyte, add-on	nsSCSI	Any	Disks: C2214B, C2216/17T, C302xT	9.0-10.20
HP C2298A ^{oo}	4mm DDS, 2.0 Gb+DC, add-on	nsSCSI	Any	Disks: C2212A/D, C2213A/D, C2214B	9.0-10.20 [∇]
HP C2298T ^{oo}	4mm DDS, 2.0 Gb+DC, for C2216/17T towers	nsSCSI	Any	All Models	9.0-10.20 [∇]
HP C2298U ^o	4mm DDS, 2.0 Gb+DC, add-on	nsSCSI	Any	Disks: C2214B, C2216/17T, C302xT	9.0-10.20 [∇]
HP C2463 ^{oo} F/R	4mm DDS, 2.0 Gbyte, in tower/rack	nsSCSI	Unsup.	Unsupported	Unsup.
HP C2464 ^{oo} F/R	4mm DDS in tower/rack	nsSCSI	Unsup.	Unsupported	Unsup.
HP C2465 ^{oo} F/R	DDS Dual-drive tower/rack	nsSCSI	Unsup.	Unsupported	Unsup.
HP C2466 ^{oo} F/R/RZ	Series 6000 Model 8000D DDS system	nsSCSI	Unsup.	Unsupported	Unsup.
HP C2467 ^{oo} F/R	Series 6000 Model 8000D DDS system	nsSCSI	Unsup.	Unsupported	Unsup.
HP C2475 ^{oo} F/R	4mm DDS, 2.0 Gbyte, for C2460F/R	nsSCSI	Unsup.	Unsupported	Unsup.
HP C2477U ^o	Add-on 2.0GB DDS for C3020-24	nsSCSI		K-Class	10.01-10.20
HP C2478S ^o	4.0GB+DC DDS internal	nsSCSI	Any	K-Class	10.20
HP C2478U ^o	Add-on 4.0GB+DC DDS for C3020-24	nsSCSI		K-Class	10.01-10.20
HP C2954A ^o	4mm DDS, 2.0GB+DC, external, parchment, HDTS50	nsSCSI	Any	All Models	9.03-11.0, OB ⁵⁷
HP C2954B ^o	4mm DDS, 2.0GB+DC, external, parchment	nsSCSI	Any	All Models	9.03-11.0, OB ⁵⁷
HP C2954D ^o	4mm DDS, 2.0GB+DC, external, quartz	nsSCSI	Any	All Models	9.03-11.0, OB ⁵⁷
HP C2983A ^o	4mm DDS-2, 4GB+DC, external, parchment, HDTS50	nsSCSI	Any	All Models	9.03 ⁶⁰ -11.0, OB ⁵⁷
HP C2983D ^o	4mm DDS, 4GB+DC, external, quartz	nsSCSI	Any	All Models	9.03 ⁶⁰ -11.0, OB ⁵⁷
HP C2984A ^o	4mm DDS3, 12-24GB, external	nsSCSI		All Models	10.01-11.0, OB ⁵⁷
HP C3556U	4GB+DC DDS, for C304xT towers	nsSCSI	Any	All Models	9.05-11.0
HP C4317RZ #102	4-8GB DDS2 DAT drive, external	fnSCSI	Any	B-Class, C-Class, J-Class, K-Class, Models 715, 745, 747, 743, 744, 748, 755	9.05-9.07 ⊥ 10.01-11.0 with OmniBack-II.

Magnetic Tape Drives

Vendor & Product Number	Abbreviated Product Description	Type	Min. Boot ROM	Hardware Qualification and Support	HP-UX Support
HP C4317RZ #103	12-24GB DDS3 DAT drive, racked	fnsSCSI	Any	C-Class, J-Class, K-Class, Models 743, 744, 748	10.01-11.0 with OmniBack-II.
HP C4318RZ #104	6-ctg. 12-24GB DDS3 DAT auto-loader, racked	fnsSCSI	Any	B-Class, C-Class, J-Class, K-Class, Models 715/100, 715/100XC, 725/100, 735/99, 735/125, 755/99, 755/125	10.01-11.0 with OmniBack-II
HP C4318RZ #105	HP DLT7000, Racked	fwdSCSI	No	J-Class, K-Class	10.01-11.0 with OmniBack-II
HP C4318RZ #107	DLT4000	fwdSCSI	No	Unsupported	Unsup.
HP C4320A/B/M/R	Colorado T1000 TR-1 & QIC-80 tape drive, internal	FDD	Unsup.	Unsupported	No driver
HP C4322A	Colorado T4000s TR-4/QIC 3095 internal	nsSCSI	NOP	Unsupported	Unsup.
HP C4326A/R	Colorado T1000e TR-1 & QIC-80 tape drive, external	FDD	NOP	Unsupported	No driver
HP C4327A°	Colorado T4000, TR-4	nsSCSI	Unsup.	Unsupported	Unsupported
HP C4328C	Colorado <i>Jumbo</i> 350, QIC-80, internal	FDD	NOP	Unsupported	No driver
HP C4329C	Colorado T1000 TR-1 & QIC-80 tape drive, internal	FDD	Unsup.	Unsupported	No driver
HP C4330C/D	Colorado <i>Jumbo</i> 1400, QIC-3020, internal	FC-20	NOP	Unsupported	No driver
HP C4331C	Colorado <i>Jumbo</i> 350, QIC-80, internal	FDD	NOP	Unsupported	No driver
HP C4341°A/B	Colorado T3000es TR-3/QIC 3095 internal	FDD	NOP	Unsupported	No driver
HP C4354A	Colorado 5GB T4i, internal	EIDE	NOP	Unsupported	No driver
HP C4355A	Colorado 5GB T4i, internal	EIDE	NOP	Unsupported	No driver
HP C4361A	Colorado 5GB T4i, external	Parallel	NOP	Unsupported	No driver
HP C4362A	Colorado 5GB T4i, external	Parallel	NOP	Unsupported	No driver
HP C4374A	See C4354A				
HP C4386A/87A	HP Colorado 8GB Internal	EIDE		NOP	Unsupported
HP C4388A/89A	HP Colorado 8GB External	Parallel		NOP	Unsupported
HP C5150F	<i>SureStore</i> DLT Library 4115e, 1xDLT4000, stand-alone	fwdSCSI or fwsSCSI	NOP		
HP C5151F	<i>SureStore</i> DLT Library 4115r, 1xDLT4000, rack-mount	fwdSCSI or fwsSCSI	NOP		
HP C5152F	<i>SureStore</i> DLT Library 4215e, 2xDLT4000, stand-alone	fwdSCSI or fwsSCSI	NOP		
HP C5153F	<i>SureStore</i> DLT Library 4215r (DLT4000)	fwdSCSI or fwsSCSI	NOP		

Magnetic Tape Drives

Vendor & Product Number	Abbreviated Product Description	Type	Min. Boot ROM	Hardware Qualification and Support	HP-UX Support
HP C5170F	SureStore DLT4000 Model 4115we 15-slot DLT tape library, stand-alone.	fwdSCSI, fwsSCSI	NOP		
HP C5170J	SureStore DLT7000 Model 7115we 15-slot DLT tape library, stand-alone.	fwdSCSI, fwsSCSI	NOP		
HP C5171F	SureStore DLT4000 Model 4215we 15-slot DLT tape library, stand-alone.	fwdSCSI, fwsSCSI	NOP		
HP C5171J	SureStore DLT7000 Model 7215we 15-slot DLT tape library, stand-alone.	fwdSCSI, fwsSCSI	NOP		
HP C5172F	SureStore DLT4000 Model 4115wr 15-slot DLT tape library, rack-mount.	fwdSCSI, fwsSCSI	NOP		
HP C5172J	SureStore DLT7000 Model 7115wr 15-slot DLT tape library, rack-mount.	fwdSCSI, fwsSCSI	NOP		
HP C5173F	SureStore DLT4000 Model 4215wr 15-slot DLT tape library, rack-mount.	fwdSCSI, fwsSCSI	NOP		
HP C5173J	SureStore DLT7000 Model 7215wr 15-slot DLT tape library, rack-mount.	fwdSCSI, fwsSCSI	NOP		
HP C5175F	SureStore DLT4000 Model 4228w 28-slot DLT tape library, stand-alone.	fwdSCSI, fwsSCSI	NOP		
HP C5177F	SureStore DLT4000 Model 4448w 24-slot DLT tape library, stand-alone.	fwdSCSI, fwsSCSI	NOP		
HP C5175J	SureStore DLT7000 Model 7228w 28-slot DLT tape library, stand-alone.	fwdSCSI, fwsSCSI	NOP		
HP C5176J	SureStore DLT7000 Model 7248w 28-slot DLT tape library, stand-alone.	fwdSCSI, fwsSCSI	NOP		
HP C5177J	SureStore DLT7000 Model 7448w 48-slot DLT tape library, stand-alone.	fwdSCSI, fwsSCSI	NOP		
HP C5644A°	Colorado T4i, 4-8 GB, QIC-3095/TR-4	nsSCSI	NOP	Unsupported	Unsupported
HP C5644B	SureStore T4i, 4-8 GB, QIC-3095/TR-4	nsSCSI	NOP	Unsupported	Unsupported
HP C5645A	SureStore T4000, TR-4	nsSCSI	Unsup.	Unsupported	Unsupported
HP C5647A	SureStore DLT40i				
HP C5650A°/B	SureStore 24x6e, Netware/NT	nsSCSI	Unsup.	Unsupported	Unsupported
HP C5651A°/B	SureStore 24x6e, NT	nsSCSI	Unsup.	Unsupported	Unsupported
HP C5653A	SureStore DAT24eU, external	nsSCSI		ISG: All Models	10.10-10.20
HP C5658A	SureStore DLT70e		Unsup.	Unsupported	Unsupported
HP C5677A	SureStore DAT24x6i, internal, 5¼-inch full-height	nsSCSI	TBD	ISG: All Models	9.01┘10.01-10.20
HP C6280F	SureStore DLT4000 Model 418	nsSCSI	NOP	Unsupported. NetServer product.	Unsup.
HP C6360A	2-4GB DDS1 DAT drive, external	fnsSCSI	Any	All Models	9.01-9.07┘10.01-10.20
HP C6362A	4-8GB DDS2 DAT drive, external	fnsSCSI	Any	B-Class, C-Class, J-Class, K-Class, Models 715, 745, 747, 743, 744, 748, 755	9.05-9.07┘10.01-11.0 with OmniBack-II.
HP C6363A	4-8GB DDS2 DAT drive, external	fnsSCSI	Any	B-Class, C-Class, J-Class, K-Class, Models 715, 745, 747, 743, 744, 748, 755	9.05-9.07┘10.01-11.0 with OmniBack-II

Magnetic Tape Drives

Vendor & Product Number	Abbreviated Product Description	Type	Min. Boot ROM	Hardware Qualification and Support	HP-UX Support
HP C6364A	12-24GB DDS3 DAT drive, desktop	fnsSCSI	Any	C-Class, J-Class, K-Class, Models 743, 744, 748	10.01-11.0 with OmniBack-II.
HP C6365A	12-24GB DDS3 DAT drive, rackable	fnsSCSI	Any	C-Class, J-Class, K-Class, Models 743, 744, 748	10.01-11.0 with OmniBack-II
HP C6366A	6-ctg. 12-24GB DDS3 DAT auto-loader, desktop	fnsSCSI	Any	B-Class, C-Class, J-Class, K-Class, Models 715/100, 715/100XC, 725/100, 735/99, 735/125, 755/99, 755/125	10.01-11.0 with OmniBack-II
HP C6367A	6-ctg. 12-24GB DDS3 DAT auto-loader, desktop	fnsSCSI	Any	B-Class, C-Class, J-Class, K-Class, Models 715/100, 715/100XC, 725/100, 735/99, 735/125, 755/99, 755/125	10.01-11.0 with OmniBack-II
HP C6374A	HP DLT7000, Desktop	fwdSCSI	No	J-Class, K-Class	10.01-11.0 with OmniBack-II
HP C6375A	HP DLT7000, Rackable	fwdSCSI	No	J-Class, K-Class	10.01-11.0 with OmniBack-II
HP C6380A	HP DLT4000, Desktop	fnsSCSI	No	Unsupported	Unsup.
HP C6381A	HP DLT4000, Rackable	fnsSCSI	No	Unsupported	Unsup.
HP C6382A	HP DLT4000, Desktop	fndSCSI	No	B-Class, C-Class and J-Class, Model 725/100. Requires fwd-SCSI host interface and wide-to-narrow cable.	10.10-11.0 with OmniBack-II.
HP C6383A	HP DLT4000, Rackable	fndSCSI	No	B-Class, C-Class and J-Class, 725/100. Requires fwdSCSI host interface and wide-to-narrow cable.	10.10-11.0 with OmniBack-II
HP C6513A	12-24GB DDS3 drive, desktop	nsSCSI	N/A	B-Class, C-Class	10.20
HP C6514A	DLT4000, desktop	nsSCSI	N/A	B-Class, C-Class	10.20
HP C6515A	DLT4000, rack-ready	nsSCSI	N/A	B-Class, C-Class	10.20
HP DJ-10°	Colorado <i>Jumbo</i> 120, QIC-40, internal	FDD	NOP	Unsupported	No driver
HP DJ-20°	Colorado <i>Jumbo</i> 250, internal	FDD	NOP	Unsupported	No driver
HP DJ25x°	Colorado <i>Jumbo</i> 700, QIC-3010, external	FDD	NOP	Unsupported	No driver
HP DJ35x°	Colorado <i>Jumbo</i> 350, QIC-80XL, internal	FDD	NOP	Unsupported	No driver
HP DJ50°	Colorado <i>Jumbo</i> 1400, QIC-3020, internal	FC-20	NOP	Unsupported	No driver
HP DLT4000S	TTI DLT drive	nsSCSI	Unsup.	K-Class. Not supported in all regions	9.04 w/patch ⊥ 10.01-10.20, w/ OmniBack-II A.01.30 or later
HP D2034A°	¼-in., QIC-525, for <i>Vectra</i>	nsSCSI	Unsup.	No mounting hardware	Unsup.
HP D2045A°	120MB ¼-in. QIC-40	FDD	NOP	Unsupported	No driver
HP E1562A	4mm DDS, 2,0GB+DC, for VXi systems	nsSCSI		Model v743	9.05-10.10
HP JT20x°	Colorado <i>Trakker</i> 250, QIC-80, external	Parallel	NOP	Unsupported	No driver
HP JT25x°	Colorado <i>Trakker</i> 700, QIC-3010, external	Parallel	NOP	Unsupported	No driver

Magnetic Tape Drives

Vendor & Product Number	Abbreviated Product Description	Type	Min. Boot ROM	Hardware Qualification and Support	HP-UX Support
HP JT35x	Colorado <i>Trakker</i> 350, QIC-80, external	Parallel	NOP	Unsupported	No driver
HP PD-60x°	Colorado <i>PowerDAT</i> 6000	nsSCSI	Unsup.	Unsupported	Unsup.
HP PTE-25x°	Colorado <i>PowerTape</i> 2400, QIC-1000, external	nsSCSI	Unsup.	Unsupported	Unsup.
HP PTE-50x°°	Colorado <i>PowerTape</i> 2400, QIC-1000, external	nsSCSI	Unsup.	Unsupported	Unsup.
HP PT-10x°°	Colorado <i>PowerTape</i> 1100, QIC-525, internal	nsSCSI	Unsup.	Unsupported	Unsup.
HP PT25x°°	Colorado <i>PowerTape</i> 4000, QIC-2GB, internal	nsSCSI	Unsup.	Unsupported	Unsup.
HP PT-50x°°	Colorado <i>PowerTape</i> 2400, QIC-1000, internal	nsSCSI	Unsup.	Unsupported	Unsup.
HP QTM4500S	Quantum DLT4500 autochanger	nsSCSI	Unsup.	K-Class. May not be supported in all regions.	9.04 w/patch - 11.0. Requires OmniBack-II
HP STKS9710	StorageTek 9710 DLT tape library	nsSCSI	Unsup.	Unsupported	Unsup.
HP S2323A	8mm Exabyte	nsSCSI	Unsup.	Factory Special	Factory Special
HP 35401A°	¼-in. 16-trk 536Mbyte HCD-75 autochanger	CS/80	NOP	Unsupported	Unsup.
HP 35450A ⁶¹	OEM DAT Drive, DDS, 2GB	nsSCSI	Unsup.	Unsupported	Unsup.
HP 35470A ⁶²	OEM DAT Drive, DDS, 2GB	nsSCSI	Unsup.	Unsupported	Unsup.
HP 35480A ⁶³	OEM DAT Drive, DDS-DC, 4GB	nsSCSI	Unsup.	Unsupported	Unsup.
HP 7970E°°	½-in. 9-track, 800/1600 bpi	AMIGO	NOP	Never supported	No driver
HP 7971A°°	½-in. 9-track, 1600 bpi	AMIGO	NOP	Never supported	No driver
HP 7974A°°	½-in. 9-track, 1600/800 bpi	GSD78	NOP	Never supported	No driver
HP 7978A°°/B	½-in. 9-track, 1600/6250 bpi	GSD78	NOP	Unsupported	No driver
HP 7979A°	½-in. 9-track, 1600/800 bpi	GSD78	NOP	Unsupported	No driver
HP 7980A°	½-in. 9-track, 1600/6250 bpi	GSD78	NOP	Unsupported	No driver
HP Option 800	...adds 800 bpi NRZI	GSD78	NOP	Unsupported	No driver
HP 7980XC°	7980A with data compression	GSD78	NOP	Unsupported	No driver
HP 7979S°	1600 cpi PE, LDBL50	nsSCSI	Unsup.	Unsupported	Unsup. ⁶⁴
HP 7980S	6250 cpi GCR, LDBL50	nsSCSI	Unsup.	All Models ⁶⁴	8.07-10.20, OB ⁵⁸
HP 7980SX	7890S with data compression, LDBL50	nsSCSI	Unsup.	All Models ⁶⁴	8.07-10.20, OB ⁵⁸
HP 88780°x	OEM 9-track drives	Varies	NOP	Unsupported	Unsup.
HP 9144A°	¼-in. 16-trk cartridge, HCD-75, 67 Mbyte	CS/80	NOP	Supported on all EISA Models	8.05-10.10
HP 9145A°	¼-in. 32-trk cartridge, XTD-134, 134 Mbyte	CS/80	NOP	Supported on all EISA Models	8.05-10.10
HP-Apollo A-6250°	½-in. 9-track (LMS) 1600/6250 bpi	nsSCSI	Unsup.	Unsupported	Unsup.
HP-Apollo A-ADD-ESTC°°	¼-in. 60Mb QIC-24 ctg., external	nsSCSI	Unsup.	Formerly supported: Series 400 upgrades only	Formerly supported: 9.0-9.07.10.01-10.20V
HP-Apollo A-EX-°	8mm 2.3Gb External	nsSCSI	Unsup.	Unsupported	Unsup.
HP-Apollo A-XT-°	8mm 2.3Gb Internal	nsSCSI	Unsup.	Unsupported	Unsup.

Magnetic Tape Drives

Vendor & Product Number	Abbreviated Product Description	Type	Min. Boot ROM	Hardware Qualification and Support	HP-UX Support
Complementary Hardware Vendors		Note: Listing of CHV devices implies no endorsement or support of them by HP. All hardware and software support claims are drawn from information published by the CHV device supplier.			
Quantum, 408-894-4000		http://www.quantum.com/			
DLT 2000/xt, 2500/xt, 2700/xt, 4000, 4500, 4700	DLT tape drives and libraries	fwdSCSI	N/A	EPS20, K-Class	10.01
Storage Tek, 303-673-4066		http://www.stortek.com/			
Redwood SD-3	3490E/D3 Cartridge System	fwdSCSI	N/A	T-Class server device	Unsup.

Magnetic Tape Notes:

- | | | |
|---|---|---|
| <p>54. Excludes Model 710e</p> <p>55. 9.03 and 9.05 support requires patch.</p> <p>56. A number of HP DDS drives emit a SCSI Product ID of "C1501A". Refer to the product number by which the drive was ordered, or the product number on the enclosure.</p> <p>57. Supported by OmniBack-II.</p> | <p>58. A number of HP DDS drives emit a SCSI Product ID of "C1533A". Refer to the product number by which the drive was ordered, or the product number on the enclosure.</p> <p>59. Supported by OmniStorage, B197xBA, 9.01 and later.</p> <p>60. 9.03 and 9.05 require a patch.</p> <p>61. A number of HP DDS drives emit a SCSI Product ID of "35450A". Refer to the product number by which the drive was ordered, or the product number on the enclosure.</p> | <p>62. A number of HP DDS drives emit a SCSI Product ID of "35470A". Refer to the product number by which the drive was ordered, or the product number on the enclosure.</p> <p>63. A number of HP DDS drives emit a SCSI Product ID of "35480A". Refer to the product number by which the drive was ordered, or the product number on the enclosure.</p> <p>64. A specific firmware version may be required in the tape drive.</p> |
|---|---|---|

Graphics Video (Built-in and Card-Based)

This section covers built-in, add-in and plug-in video display hardware (other than monitors) for HP PA-RISC Workstations, for use as boot/ITE console and X-Windows System server.

Unsupported video cards are detailed in the Interfaces section of this document.

HP PA-RISC Workstations support either a bit-map display (with SPU-connected keyboard) or a serial terminal as console, and some Models

are available in a “server” configuration that omits the bit-map video interface.

X-terminals with serial ports and serial terminal emulation are supported as console if that port is connected to the SPU (in addition to the LAN connection).

HP PA-RISC Workstations support only built-in video, SGC (Standard Graphics Connect) and GSC (Graphics System Connect) video cards as console. See the Interfaces section for a description of card types.

EISA, ISA, VXI and VME video cards may not be console. Video import/export cards are listed in the Interfaces section.

No DIO-family (Series 300/400) cards are listed here, as all are incompatible with HP PA-RISC Workstations.

The “Min. Boot ROM” column indicates the minimum revision of ROM code supporting that device as system or diagnostic console.

See the Graphics Devices section for information on support of internal video, including extra “heads”, as graphics peripherals.

Graphics Video Interface Support

Vendor & Product Number	Abbreviated Product Description	Type	Min. Boot ROM	Hardware Qualification and Support	HP-UX Support
HP A1439A	CRX-24 video interface, RGBs BNC	SGC	Any	Models 720, 730, 735/99, 735/125, 750, 755/99, 755/125	8.07-10.20 ∇
HP A1454A	CRX-24Z daughter board	CRX24	NOP	CRX Models 720, 730, 735/99, 735/125, 750, 755/99, 755/125	8.07-10.20 ⁶⁵ ∇
HP A1471A ⁶⁶	Personal VRX interface RGB BNC	SGC	Any	Models 720, 730, 735/99, 735/125, 750, 755/99, 755/125	8.05-10.20 ∇
HP A1472A ⁶⁶	Turbo VRX interface, RGB BNC	SGC	Any	Models 720, 730, 735/99, 735/125, 750, 755/99, 755/125	8.05-10.20 ∇
HP A1659A	CRX, 1280x1024x8, 72Hz, RGB BNC	SGC	Any	Models 720, 730, 735/99, 735/125, 750, 755/99, 755/125	8.05-10.20 ∇
HP A1924A ⁶⁶	GRX, 1280x1024, 72 Hz, 1xBNC	SGC	Any	Models 720, 730, 735/99, 735/125, 750, 755/99, 755/125	8.05-10.20 ∇
HP A2091A ⁶⁶	CRX-48Z processor, 1280x1024x48, 72 Hz, RGBs BNC	SGC-ext	1.1	Models 715/50, 715/75, 715/100, 725/50, 725/75, 735/lall, 755/lall	8.05-10.20 ∇
HP A2091-66580 ⁶⁶	CRX-48Z SGC Interface	SGC to SGC-ext	1.1	Models 735/lall, 755/lall	8.05-10.20 ∇
HP A2262A ⁶⁶	Dual CRX Graphics, 2xRGB BNC	SGC	Any	Models 720, 730, 735/99, 735/125, 750, 755/99, 755/125	9.05-10.20 ∇
HP A2269A ^o	Non-CRX to Dual CRX Upgrade	+1 SGC	Any	Dual: Models 720, 730, 735/99, 735/125, 747i, 750, 755	8.07-10.20 ∇
	Dual to Quad CRX Upgrade	+1 SGC	Any	Models 750Dual, 755Dual	8.07-10.20 ∇
HP A2270A	CRX-24 to Dual CRX-24 Upgrade	+1 SGC	Any	Model 750	8.07-9.07 \perp 10.01-10.10 ∇
	or CRX-24 Upgrade	+1 SGC	Any	Model 720, 730, 750 Server	8.07-10.20 ∇
HP A2271A	CRX to CRX-24 Upgrade	SGC	Any	CRX Models 720, 730, 735, 747i, 750 755	8.07-10.20 ∇
HP A2272A	PVRX to CRX-24 Upgrade	SGC	Any	Any Model 700 PVRX	8.07-10.20 ∇
HP A2666A	CRX-24Z to CRX-48Z Upgrade	SGC	1.1	CRX-24Z Models 735, 755	9.0-10.20 ∇

Graphics Video Interface Support

Vendor & Product Number	Abbreviated Product Description	Type	Min. Boot ROM	Hardware Qualification and Support	HP-UX Support
HP A2667A	PVRX to CRX-48Z Upgrade	SGC	1.1	Only Models 730PVRX and 750PVRX previously or concurrently upgraded to 735PVRX or 755PVRX	9.0-10.20 ∇
HP A2673A	CRX-24 interface only	E-SGC	1.1	Models 715/33, 715/50, 725/50, 725/75 (obstructs EISA slot)	9.0-10.20 ∇
HP A2674A ⁶⁶	CRX-24Z upgrade	A2673A	IODC 1.1	Models 715CRX-24, 725CRX-24	9.0-10.20 ∇
HP A2675A	CRX-48Z Processor and A2675-66581 interface	E-SGC	1.1	Models 715/50, 715/75, 725/50, 725/75, with 19-in. color monitor and unused SGC-EISA slot	9.0-10.20 ∇
HP A2675- 66581	CRX-48Z interface	E-SGC to SGC-ext	1.1	Models 715/50, 715/75, 725/50, 725/75, with 19-in. color monitor and unused SGC-EISA slot	9.0-10.20 ∇
HP A2878A	2nd color monitor connect for Model 712, Dsub15	GIO	Any	Model 712	9.03-11.0 ⁷⁵
HP A2999A	Color Graphics, Dsub15	HSC 3x5	Any	EPS20, K200- and K400-Series	10.01-11.0 ⁷⁵
HP A3519A	HP VISUALIZE-EG, EVC	HSC 3x5	Any	Model K260, K460	10.20-11.0 ⁷⁵
HP A4025A	High-res graphics upgrade	VRAM	Any	Model 712	9.03-11.0 ⁷⁵
HP A4069A ^o	A4073A plus A2091A			See: A4073A, A2091A	
HP A4070A ^o	HyperCRX8 graphics adaptor	GSC	Any	Models 715/64, 715/80, 715/100, 725/100, 715/100XC	9.05-11.0 ⁷⁵
HP A4070B	HyperCRX8 graphics adaptor	GSC	Any	Models C160, C160L, C180, J200, J210, 715/64, 715/80, 715/100, 725/100	9.07-11.0 ⁷⁵
HP A4071A ^o	HyperCRX-24 graphics adaptor, Dsub15	GSC	Any	Models 715/64, 715/80, 715/100, 715/100XC, 725/100, Upgrades to B-Class	9.07-11.0 ⁷⁵
HP A4071B	HyperCRX-24 graphics adaptor, Dsub15	GSC	Any	Models C160, C160L, C180, J200, J210, J210XC, 715/64, 715/80, 715/100, 725/100, Upgrades to B-Class	9.07-11.0 ⁷⁵
HP A4072A	HCRX 3D Accelerator	Daughter	NOP	Any HCRX Model	9.07-10.20 ∇
HP A4073A ^o	CRX-48Z GSC interface, Dsub15	GSC to SGC-ext	Any	Models 715/100	9.05-10.20 ∇
HP A4073B	CRX-48Z GSC interface, Dsub15	GSC to SGC-ext	Any	Models 715/100, J200, J210	9.05-10.20 ∇
HP A4074A	CRX-48Z		Any	Models C100, C110, J200, J210, J210XC, Model 715/100XC	9.05-9.07 \perp 10.01-10.20 ∇
HP A4077A	CR 2D color video, Dsub15	GSC		Models C100, C110, J200, J210, J210XC, 715/64, 715/100, 715/100XC, 725/100	9.05-11.0 ⁷⁵
HP A4077B	CR 2D color video, 2nd on all except J-Class, Dsub15	GSC		Models 715/64, 715/100, 725/100, J200, J210, J210XC	9.05-11.0 ⁷⁵
HP A4078A	Dual CR video, Dsub15	GSC	Any	Models C100, C110, J200, J210, 715/100XC	9.05-11.0 ⁷⁵
HP A4079A ^o	HCRX-8Z, Dsub15	GSC	Any	Models C100, C110, 715/100XC	9.05-9.07 \perp 10.01-10.20 ∇
HP A4079B	HCRX-8Z, Dsub15 (A4070B plus A4072A bundle)	GSC	Any	Models J200, J210, J210XC, Upgrades to B-Class	9.07-10.20 ∇

Graphics Video Interface Support

Vendor & Product Number	Abbreviated Product Description	Type	Min. Boot ROM	Hardware Qualification and Support	HP-UX Support
HP A4179A°	HCRX-24Z (A4071B plus A4072A bundle)	GSC	Any	All Models supporting the A4071B	9.07-10.20 [∇]
HP A4211A°	HP VISUALIZE-48	GSC	Any	Models C160L, C200, C240	10.20-11.0 ⁷⁶
HP A4217A°	Dual head/dual LAN	GIO+TSIO	Any	Model 712	9.03-11.0 ⁷⁵
HP A4242A	Z-Buffer & Accelerator for HCRX-8, -24 "B" models	Daughter	N.A.	A4070B, A40701B	9.07-11.0 ⁷⁵
HP A4244A	HP VISUALIZE-48, Dsub15 (formerly HCRX-48Z)	GSC	Any	Models C160, C160L, C180, C180L, C200, C240, J200, J210, J210XC, J282	9.07-11.0 ⁷⁶
HP A4245A	Texture Memory for VISUALIZE-48	Daughter	N/A	All Models supporting underlying VISUALIZE-48 card	10.20-11.0 ^{74,76}
HP A4246A°	HP VISUALIZE-48XP, EVC	2xGSC ⁶⁷	Any	Model C160, C180, C180XP, C200, C240, J200, J210, J210XC, J282	10.20-11.0 ⁷⁶
HP A4247A	48XP Texture Memory	Daughter ⁶⁸	Any	Model C180XP	10.20-11.0 ^{74,76}
HP A4248A	Video export card	GSC daughter	NOP	Systems supporting video cards: A4070B, A4071B, A4244A, A4246A, with available space in adjacent GSC slot.	9.05-11.0 ⁷⁴
HP A4253-69001	Freedom interface, 13W3	GSC	2.7	Models C100, C110, 715/80, 715/100, 715/100XC, J200, J210, J210XC	9.05-10.20 [∇]
HP A4253A	Freedom S3150 graphics accelerator	GSC	2.7	Models C100, C110, 715/80, 715/100, 715/100XC, J200, J210, J210XC	9.05-10.20 [∇]
HP A4254A	Freedom S3250 graphics accelerator	GSC	2.7	Models C100, C110, 715/80, 715/100, 715/100XC, J200, J210, J210XC	9.05-10.20 [∇]
HP A4255A	Freedom S3400 graphics accelerator	GSC	2.7	Models C100, C110, 715/80, 715/100, 715/100XC, J200, J210, J210XC	9.05-10.20 [∇]
HP A4267A	8-plane graphics video	GSC-M	Any	Models 743i/64, 743i/100, 744/132L, 744/165L, 748i/64, 748i/100, 748/132L w/A4262A, 748/165L	9.05-11.0/32 ⁷⁵
HP A4315A	HCRX-8VME, Dsub15	Large GSC-M	Any	Models 743i/64, 743i/100, 744/132L, 744/165L, 748i/64, 748i/100, 748/132L, 748/165L	9.03-11.0/32 ⁷⁵
HP A4316A	HCRX-24VME, Dsub15	Large GSC-M	Any	Models 743i/64, 743i/100, 744/132L, 744/165L, 748i/64, 748i/100, 748/132L, 748/165L	9.03-11.0/32 ⁷⁵
HP A4333A	HP VISUALIZE-IVX	GSC daughter	Note ⁶⁹	Systems supporting cards A4070B and A4071B (excluding Models B132L, C160 and C160L), with available power and space in adjacent slot.	10.10-11.0 ⁷⁴
HP A4441A	HP VISUALIZE-8, Dsub15 (aka HCRX-8Z, A4070B+A4242A)	GSC	Any	B-Class, C-Class, Models J200, J210, J210XC, J282, 715/100XC	9.07-11.0 ⁷⁶
HP A4442A°	HP VISUALIZE-24, Dsub15 (aka HCRX-24Z, A4071B + A4242A)	GSC	Any	B-Class, C-Class, Model J200, J210, J210XC, J282, 715/100XC	9.07-11.0 ⁷⁶

Graphics Video Interface Support

Vendor & Product Number	Abbreviated Product Description	Type	Min. Boot ROM	Hardware Qualification and Support	HP-UX Support
HP A4443A	Upgrade HCRX-8Z/24Z to VISUALIZE-8/24, Dsub15	GSC	Any	C-Class, Models J200, J210, J210XC, J282	9.07-11.0 ⁷⁶
HP A4450A ^o	HP VISUALIZE-EG, EVC	GSC	Any	B-Class, Models C160L, C180, C200, C240, J2240, J280, J282	10.20-11.0 ⁷⁵
HP A4451A ^o	HP Dual VISUALIZE-EG, EVC	GSC	Any	B-Class, C160L, C180, C200, C240, J2240, J280, J282	10.20-11.0 ⁷⁵
HP A4452A ^o	2MB Add-on EG Memory	Daughter	Any	A4450A, A4451A	See base video card
HP A4455A	HP VISUALIZE-48XP, EVC	HSC Large	Any	Model K460	10.20-11.0 ⁷⁶
HP A4552A	HP VISUALIZE-FX2, EVC	PCI-64, Univ, 4x	Any	Models B132L+, B180L, C200, J2240 and earlier B-Class and C-Class upgraded to one of these.	10.20-11.0 ⁷⁶
Option 267	SPU upgrade components		Incl.	Models C160, C180	10.20-11.0 ⁷⁶
Option 268	SPU upgrade components		Incl.	Models B132L, B160L, C160L	10.20-11.0 ⁷⁶
HP A4553A	HP VISUALIZE-FX4, EVC	PCI-64, Univ, 4x	Any	Model B180L, C200, J2240 and earlier B-Class and C-Class upgraded to one of these.	10.20-11.0 ⁷⁶
Option 267	SPU upgrade components		Incl.	Models C160, C180	10.20-11.0 ⁷⁶
Option 268	SPU upgrade components		Incl.	Models B132L, B160L, C160L	10.20-11.0 ⁷⁶
HP A4554A	HP VISUALIZE-FX6, EVC	PCI-64, Univ, 4x PCI-32, Univ, 1x	Any	Model C200, C240, J2240 and earlier C-Class upgraded to C200 or C240	10.20-11.0 ⁷⁶
HP A4455A	VISUALIZE-48XP, EVC	HSC	Any	K-Class	10.20-11.0 ⁷⁶
HP A4556A	Video Export (NTSC, PAL) card for VISUALIZE-FX. RCA-F, S-Video	Daughter (Note ⁷²)	N/A	All Models supporting underlying FX2 or FX4 card (slot space permitting).	10.20+ACE-11.0 ⁷⁴
HP A4559A	Texture Map Accelerator for VISUALIZE-FX4	Daughter Note ⁷³	N/A	All Models supporting A4553A FX4 card. (slot space permitting).	10.20+ACE-11.0 ^{74,76}
HP A4560A	Texture Map Accelerator for VISUALIZE-FX6	Daughter Note ⁷³	N/A	All Models supporting A4554A FX6 card set. (slot space permitting).	10.20+ACE-11.0 ^{74,76}
HP A4977A	VISUALIZE-EG/PCI	PCI-32, Univ	Any	Models B132L+, B180, C200, C240 and J2240	10.20-11.0 ⁷⁵
HP A4979A	VISUALIZE-EG/PMC	PMC		Models 744/132L, 744/165L, 748/132L, 748/165L	10.20-11.0/32 ⁷⁵
HP 98705A ^o	s400 P-VRX P2, RGB BNC	G-Bus	Unsup.	Unsupported	Unsup.
HP 98705B ^o	s400 P-VRX P3, RGB BNC	G-Bus	Unsup.	Unsupported	Unsup.
HP 98705C ^{o70}	s400 P-VRX P1, RGB BNC	G-Bus	Unsup.	Unsupported	Unsup.
HP 98705P ^{o70}	s700 P-VRX P3, RGB BNC	SGC	Any	Models 720, 730, 735/99, 735/125, 750, 755/99, 755/125	8.05-10.20 [∇]
HP 98720A ^o	SRX Processor	LGB	NA	No interface	NA
HP 98730A ^o	TurboSRX Processor	LGB	NA	No interface	NA
HP 98735A ^o	s400 T-VRX Processors T1 Processor, RGB BNC	G-Bus	Unsup.	Unsupported	Unsup.
HP 98736A ⁷¹	T2 Processor, RGB BNC	G-Bus	Any	Models 720, 730, 735/99, 735/125, 750, 755/99, 755/125	8.05-10.20 [∇]

Graphics Video Interface Support

Vendor & Product Number	Abbreviated Product Description	Type	Min. Boot ROM	Hardware Qualification and Support	HP-UX Support
HP 98736B°	T3 Processor, RGB BNC	G-Bus	Unsup.	Unsupported	Unsup.
HP 98757A°	PVRX upgrade from 400I700, RGB BNC	SGC	Any	Models 720, 730, 735/99, 735/125, 750, 755/99, 755/125	8.05-10.20√
HP 98765A° ⁷⁰	s700 T-VRX T2 Processor	G-Bus	Any	Models 720, 730, 735/99, 735/125, 750, 755/99, 755/125	8.05-10.20√
HP 98766A ⁷⁰	s700 T-VRX T4 Processor	G-Bus	Any	Models 720, 730, 735/99, 735/125, 750, 755/99, 755/125	8.05-10.20√
HP 98767A°	TurboVRX upgrade from T2IT4		Any	Models 720, 730, 735/99, 735/125, 750, 755/99, 755/125	8.05-10.20√
HP 98768A	CRX upgrade	SGC	Any	Models 720, 730, 735/99, 735/125, 747i, 750, 755/99, 755/125	8.05-10.20√
Complementary Hardware Vendors		Note: Listing of CHV devices implies no endorsement or support of them by HP. All hardware and software support claims are drawn from information published by the CHV device supplier.			
PC Video Conversion, 408-279-2442		http://www.pcvideo.com/			
HyperConverter1280	Converter: 1280x1024 RGB graphics to NTSC/PAL video	RGB-BNC	N/A	All Models. Dsub15 and EVC hosts require BNC adaptor.	Any

Graphics Video Notes:

- | | | |
|---|--|---|
| <p>65. Releases prior to 10.0 require Power-Shade.</p> <p>66. This component product number is listed for reference and is not separately orderable.</p> <p>67. Card set may occupy 2, 2½ or 3 GSC slots.</p> <p>68. This card occupies a GSC slot, and the slot is unavailable for other GSC, EISA or PCI cards.</p> <p>69. Requires A4071B STI ROM date code 96xxxx or later.</p> <p>70. This component product number is listed for reference and is/was not separately orderable.</p> | <p>71. Product not supported if purchased separately (i.e. not as part of a 700VRX bundle). Some s400 revisions are incompatible with PA-RISC HP PA-RISC Workstations.</p> <p>72. Video export card attaches to underlying VISUALIZE-FX card, and consumes I/O bulkhead to right of that card set. It therefore obstructs any EISA, GSC or PCI slot at that bulkhead.</p> <p>73. Texture Map card attaches to rear (GSC end) of underlying VISUALIZE-FX card, but does not consume bulkhead. It does prevent use of the GSC slot adjacent to the FX card, but does</p> | <p>allow use of the adjacent EISA or PCI slot, if the EISA or PCI has a length, from front of bulkhead to rear edge, of 5.25 inches or less. The A4556A Video Export daughtercard also meets this size criterion.</p> <p>74. At present, there is no 11.0 support for this feature. The device may be present in an 11.0 system, but is not enabled.</p> <p>75. Graphics on HP-UX 11.0 limited to 2D/X only.</p> <p>76. Graphics on HP-UX 11.0 limited to 2D/X only, until Dec. 1998.</p> |
|---|--|---|

Display Monitors

HP PA-RISC Workstation built-in and plug-in cards, as well as external graphics processors support external RGB analog displays, usually sync-on-green, and often with BNC connectors at the display side.

Host connectors generally may be BNC, VGA-style D-sub 15-pin or EVC (34-pin VESA). The Model v743 uses a 15-pin micro-D-sub connector and requires an A4304A adaptor to attach to a Dsub-15 cable. The Freedom Series processors are an exception, and employ a 13W3 Dsub connector.

Unsupported and unlisted monitors which do not support sync-on-green are likely to not function properly on HP PA-RISC Workstations.

More recent variable sync monitors may not function properly on a non-workstation system (such as a PC), unless the standard C2300-60005 RGB cable is replaced with a D1191B or equiv. RGBhv cable.

“Size” is the advertised size, and not the maximum size of the active screen area, which tends to be about an inch less.

Resolution” is the [maximum] addressable pixel grid supported by the display, in horizontal by vertical notation. Possible HxV values on workstations are VGA (640x480), SVGA (800x600), 1024x768 and 1280x1024. Any variable rate monitor can, except as noted, sync to a signal at any of these resolutions smaller than its listed maximum.

“Rate” nomenclature is described in the following table.

Monitor Scan Rate Nomenclature

Scan Rate	Meaning	Implication
<i>nn</i> Hz	Vertical refresh rate in frames per second.	Fixed sync/rate, fixed resolution.
<i>nn</i> Hz max.	Maximum vertical refresh rate at the maximum resolution	Variable sync/rate and resolution.
<i>nn</i> KHz max.	Maximum horizontal scan rate (S). Where V is the desired vertical resolution, the max. screen refresh rate (R) is given by: $R=SV$	Variable scan/sync rate and resolution.
<i>nnn</i> MHz max.	Bandwidth (B). Where H and V are the desired horizontal and vertical resolutions, the max. screen refresh rate (R) is given by: $R=B(HV)$	Variable scan/sync rate & resolution.

Older video hardware and monitors tend to be fixed-resolution and fixed sync. Newer systems and display support multiple resolutions and scan rates. Except as noted, variable rate monitors can, within their resolution range, sync to a signal slower than the maximum rate (as long as the vertical refresh rate is at or above 60 Hz).

“Connectors” listed in this table are shown for the display rear panel include, unless the display has a captive cable. Terms are:

RGB BNC discrete 75W coaxial cables.

Dsub9

D-Subminiature CGA/EGA/VGA old-style 11-pin PC connect.

Normally, a Dsub15 host may connect to an RGB BNC monitor with the appropriate break-out cable.

13W3

13-pin D-sub connector with 3 coaxial elements.

Adaptors are available for connecting:

Dsub15

PC Industry standard VGA-style 15-pin D-sub-miniature.

- EVC(f) hosts to Dsub15(M) monitors, cable product A4167A.
- EVC(m) monitors to Dsub15(F) hosts, cable product A4168A.
- Micro15(f) hosts to Dsub15(M) monitors.

Micro15

Microminiature 15-pin Dsub.

EVC

VESA 34-pin Enhanced Video Connector.

For “Min. Boot ROM” and “HP-UX Support”, refer to the Graphics Devices section under the video hardware to which the display is connected.

Monitor Support by Product Number

Display Monitor Support

Vendor& Product Number	Product Description (color, size, technology, resolution)	Scan Rate & Connector	Hardware Qualification and Support
HP A1097°A/B/C/D	Color, 19-inch, CRT, 1280x1024, for A1659A and TurboVRX	72Hz, RGB BNC	Model 745/[all], all CRX and TurboVRX Models
HP A1497°A/B	Color, 16-inch, CRT, 1024x768, for EVRX-1024	75Hz, RGB BNC	Model 745/[all]
HP A2088A°	Monochrome, 19-inch, CRT, 1280x1024	72 Hz, BNC	All 1280x1024 monochrome models
HP A2094A°	Color, 19-inch, CRT, 1280x1024	72 Hz, RGB BNC	Per video interface
HP A2287°A/B/C	Color, 17-inch, CRT, 1024x768	75 Hz, Dsub15	All 1024x768 75 Hz interfaces
HP A2828°A/B	Color, 15-inch, CRT, 800x640	72Hz max., Dsub15	Unsup.
HP A2882°A/B	See S1010A		
HP A4032°A/B/C	Color, 17-inch, CRT, 1280x1024 maximum	75 Hz max., RGB BNC	All Models
HP A4033A/B/C	Color, 19-inch, CRT, 1280x1024 maximum	75 Hz max., RGB BNC	All Models
HP A4251°A/B/C	Color, 17-inch, CRT, 1024x768 maximum	75 Hz max.	Model 712
HP A4330°A/B/C	Color, 17-inch CRT, 1280x1024 maximum, parchment white	75 Hz max., RGB BNC & Dsub15	All Models
HP A4330°D/E/F	Color, 17-inch CRT, 1280x1024 maximum, quartz gray	75 Hz max., RGB BNC & Dsub15	All Models
HP A4331°A/B/C	Color, 19-inch CRT, 1280x1024 maximum, parchment white	75 Hz max., Dsub15	All Models w/Dsub15 ⁷⁷
HP A4331°D/E/F	Color, 19-inch CRT, 1280x1024 maximum, quartz gray	75 Hz max., Dsub15	All Models w/Dsub15 ⁷⁷
HP A4332A°	Color, 21-inch CRT, 1600@85Hz, 0.22mm, quartz gray, EVC	85 Hz max.	All Models adaptable to EVC
HP A4490A	Color, 17/16v-inch, CRT, 1280x1024@75Hz, rear panel Dsub15(F), includes 15F to EVC(M) cable	100 MHz	All Models adaptable to EVC or Dsub15
HP A4575A	Color, 19-inch/18v, CRT, 1600x1200@75Hz, .26mm, rear panel Dsub15(F), includes 15F to EVC(M) cable	95 KHz	All Models adaptable to EVC or Dsub15
HP A4576A	Color, 21-inch/19.8v, CRT, 1600x1200@85Hz .25-.27mm, rear panel Dsub15(F), includes 15F to EVC(M) cable	__ KHz	All Models adaptable to EVC or Dsub15
HP C2746A°	Color, 19-inch, CRT, 1280x1204	72 Hz max.	Unsup.
HP C3483A	Color, 14-inch, CRT, SVGA (800x600)	60 Hz	Unsup.
HP C3486A°	Color, 15-inch, CRT, EUVGA (1024x768)	60Hz	Unsup.
HP C3487A°	Color, 17-inch, CRT, EUVGA (1280x1024)	60Hz	Unsup.
HP C5211A/B	Color, 20-inch		
HP D1182°A/B	Color, 14-inch, CRT, VGA (640x480)	60Hz Dsub15	No interface
HP D1187A°	Color, 19-inch, CRT, VGA 1280	?_ KHz, RGB BNC	
HP D1188A°	Color, 15-inch, CRT, VGA 1280	?_ KHz, RGB BNC	
HP D1192°A/B	Monochrome, 14-inch, CRT, VGA	60 Hz, Dsub15	No interface
HP D1193A°	Color, 17-inch, CRT, 1024 UltraVGA	Max. 1024ni @ 70Hz, Dsub15	Unsup.
HP D1194A°	Color, 14-inch, CRT, VGA & SVGA	60 Hz, Dsub15	No interface
HP D1195A°	Color, 14-inch, CRT, VGA & SVGA	72 Hz, Dsub15	Model 745/50 (50 MHz only)
HP D1196A°	Color, 15-inch, CRT, 800x640 max	72 Hz max., Dsub15	Models v743, 745/[all], 747/[all], 748/[all]
HP D1197A°	VGA, Color, 640x480	70 Hz max.	No interface
HP D1198A°	Color, 14-inch, CRT, VGA & SVGA	72 Hz, Dsub15	Model 745/[all]

Display Monitor Support

Vendor& Product Number	Product Description (color, size, technology, resolution)	Scan Rate & Connector	Hardware Qualification and Support
HP D1199A°	Ultra VGA 1600, color, 21-inch, CRT, 1600x1280 max., parchment white	150 MHz, RGBHV	Unsup.
HP D2800A°	Ultra VGA 1600, color, 21-inch, CRT, 1600x1280 max., quartz gray	150 MHz, RGBHV	Unsup.
HP D2801A°/B	HP Entry-Level SVGA, page-white monochrome, 14-inch, CRT, VGA	60 Hz	No interface
HP D2802A°	Color, 14-inch, CRT, SVGA (800x600)	60 Hz	Unsup.
HP D2803A°	HP Super VGA 1024i color display, 14-inch, CRT	28 MHz	Unsup.
HP D2804A°	Super VGA 1024i, color, 14-inch, CRT, SVGA (800x600)	72 Hz max.	Unsup.
HP D2805A°/B	HP Ergo 1024, color, 14-inch, CRT, SVGA (800x600)	72 Hz max. Dsub15	Unsup.
HP D2806A°/B	HP Ergo Ultra VGA, color, 15-inch, CRT, (1280x1024 max)	80 MHz	TelePACE, Models 742, 743i, v743, 745/50, 745/100, 748i, 747/[all]
HP D2807A/B°	HP Ultra VGA 1280, color, 17-inch, CRT, (1280x1024 max)	80 MHz	Unsup.
HP D2808A/S	HP 1024 Low Emissions 15-inch display	80 MHz	Unsup.
HP D2811A°	HP 1024 Color 14-inch display, captive Dsub15	47 MHz	Unsup.
HP D2813A°/S°	HP 1024 color, 14-inch (13.2 VI), CRT, .28mm, Dsub15	48.4 kHz	Unsup.
HP D2814A°	Super VGA 1024i, color, 14-inch, CRT, SVGA (800x600)	72 Hz max.	Unsup.
HP D2815A°°	HP 1024 Low Emissions color, 14-inch (13.2 VI), CRT, .28mm, Dsub15	48.4 kHz	Unsup.
HP D2818A	HP Ultra VGA 1280 color, 17-inch (15.7 VI), CRT, .28mm, Dsub15	64 kHz	Unsup.
HP D2819A	HP Ultra VGA 1280 XLE color, 17-inch (15.7 VI), CRT, .28mm, Dsub15 (D2818A with TCO92)	64 kHz	Unsup.
HP D2821A	HP 1024 LE , 14-inch (13.2V) CRT, Color, 1024x769(@60Hz), 0.28mm, Dsub15	54 KHz	Unsup.
HP D2825A/S	HP Ultra VGA 1024/1024LE color, 15-inch (13.8 VI), CRT, .28mm, Dsub15	48.4 KHz	Unsup.
HP D2826A	HP 50, 15-inc(13.7V), Color, CRT, 1024(@60Hz), 0.28mm, Dsub15	54KHz	Unsup.
HP D2830A	HP Ergo 1024 color, 15-inch (13.9 VI), CRT, .28mm dot pitch, Dsub15	69 kHz	Unsup.
HP D2831A	HP Ultra VGA 1024, color, 15-inch(13.9v), CRT, .28mm, Dsub15	69 KHz	Unsup.
HP D2835A°	HP Ultra VGA 1280 color, 17 (15.7)-inch, CRT, .28mm, Dsub15	69 KHz	Unsup.
HP D2836A	HP Ultra VGA 1280 TCO color, 17 (15.7)-inch, CRT, .28mm, Dsub15	69 KHz	Unsup.
HP D2837A	HP 70, 1280 color, 17 (15.7)-inch, CRT, .28mm, Dsub15	70 KHz	Unsup.
HP D2837S	HP 70, 1280 color, 17 (15.7)-inch, CRT, .28mm, Dsub15	70 KHz	Unsup.
HP D2838A	HP M700, 17-inch(16V), Color, CRT, 1280@75Hz, 0.26mm, Dusb15, USB-ready	86 KHz	Unsup.
HP D2840A	HP Ergo 1280 color 17-inch (15.7VI), CRT, .25mm dot pitch, Dsub15	92 kHz	Unsup.
HP D2843A	HP M900, color, 19-inch/18v, CRT, .26mm, Dsub15	95 KHz	Unsup.
HP D2845A°	HP Ergo 1600 color, 21-inch (20 VI), CRT, .25mm dot pitch, 5xBNC	95 kHz	Unsup.
HP D3848A	HP Multiscan 15-inch Color Display		

Display Monitor Support

Vendor& Product Number	Product Description (color, size, technology, resolution)	Scan Rate & Connector	Hardware Qualification and Support
HP D3857A	HP <i>Pavilion</i> color, 15-inch, CRT, VGA-to-1024, audio amp		Unsup.
HP D3858A	HP <i>Pavilion</i> , 14-inch multimedia display		
HP D3861A°	HP <i>Pavilion</i> color, 14-inch, CRT, VGA-to-1024		Unsup.
HP D5060A	HP 1024 color, 14-inch (14 VI), 1024, LCD display, .277mm, Dsub15	61 kHz	Unsup.
HP S1010A°	Color, 11.8-inch, LCD, 1024x768 only, 75 Hz only	72 Hz, RGB BNC	All 1024 75 Hz interfaces
HP 98751A°°	Color, 19-inch, CRT, 1024x768	60 Hz, RGB BNC	No 60Hz 1024 video
HP 98752A°°	Color, 19-inch, CRT, 1280x1024	60 Hz, RGB BNC	Unsupported
HP 98753A°°	Color, 19-inch, CRT, 1024x768	60 Hz, RGB BNC	No 60Hz 1024 video
HP 98754A°°	Color, 19-inch, CRT, 1280x1024	60 Hz, RGB BNC	Supported on P-VRX Models
HP 98774A°°/B°	Gray, 19-inch, CRT, 1280x1024	70 Hz, BNC	Supported on A1924A i/f, GRX Models, and Models 705, 710
HP 98778A°	Gray, 19-inch, CRT, 1024x768	60 Hz, BNC	No 60Hz gray video
HP 98785A°	Color, 16-inch, CRT, 1024x768	60 Hz, RGB BNC	No 60Hz 1024 video
HP 98786A°	Gray, 17-inch, CRT, 1024x768	60 Hz, BNC	No 60Hz 1024 video
HP 98788A°	Gray, 19-inch, CRT, 1280x1024	60 Hz, BNC	No 60Hz gray video
HP 98789A°	Color, 16-inch, CRT, 1280x1024	60 Hz, RGB BNC	Unsupported

Display Monitor Notes:

77. EVC hosts require an A4168A (8120-6861) adaptor. BNC hosts require an A4169A (8120-6863) adaptor, plus a Dsub15 to BNC cable, such as C2300-60005.

Terminals (Serial and X-Windows System)

HP PA-RISC Workstations support both RS-232C (serial) and networked X-Terminals. All SPU's except Model 712 also support a serial terminal as console. The Model 742i requires a serial terminal as console.

The Model 712 may require that a monitor any PS/2 keyboard be present to configure the system for use with a serial terminal as console on an RS-232C port.

Terminal personality types (term-types) supportable as system console include "hpterm" (HP 2392A emulation with at least HP "term0" capability set), "vt100" (Digital Equipment VT-100 emulation) and "wyse30" (Wyse 30).

The "Min. Boot ROM" column indicates the minimum revision of PDC code supporting the terminal as system or diagnostic console.

Terminal emulators (such as PCs running datacomm applications) are not supportable as system console, due to the complexity of isolating the source of trouble if the console appears to be inoperative.

See the Graphics Devices section for information on support of terminals as graphics peripherals.

Terminal Support

Vendor & Product Number	Abbreviated Product Description	Type	Min. Boot ROM	Hardware Qualification and Support	HP-UX Support
HP Vectra	Personal Computer with hpterm emulator	Any term0	Unsup.	Unsupported	Unsup.
HP 700 Family Alpha-Numeric Terminals					
HP C1001°	Model 700/92	RS232, term0	Any	All Models	8.05-10.20 \bar{V}
HP C1002°	Model 700/94	RS232, term0	Any	All Models	8.05-10.20 \bar{V}
HP C1003°°	Model 700/41 "ASCII"	RS232, Wyse30	Unsup.	Never supported	Never supported
HP C1004°°	Model 700/22 ANSI	RS232, VT100	Unsup.	Never supported	Unsup.
HP C1005°°	Model 700/71 IBM 3191		NOP		
HP C1006°	Model 700/43 "ASCII"	RS232, Wyse30	Unsup.	Unsupported	Unsup.
HP C1007°	Model 700/44 ANSI/PC	RS232, PCterm	Unsup.	All Models	8.07-11.0
Localized 700/92 Terminals					
HP C1010C°°	Simplified Chinese	RS232, term0	Unsup.	Never supported	Unsup.
HP C1010J°°	Japanese	RS232, term0	Unsup.	Unsupported	Unsup.
HP C1010K°°	Korean	RS232, term0	Unsup.	Never supported	Unsup.
HP C1010T°°	Traditional Chinese	RS232, term0	Unsup.	Unsupported	Unsup.
HP C1017°	Model 700/32 ANSI	RS232, VT100	Unsup.	Unsupported	Unsup.
HP C1064	Model 700/96 alpha terminal	RS232, term0	Any	All Models	8.05-11.0
HP C1065	Model 700/98 alpha terminal	RS232, term0	Any	All Models	8.05-11.0
HP C1080x/83W	Model 700/60,60ES terminal	RS232, VT320, Wyse60			
HP C1084W	Model 700/96ES alpha terminal	RS232, term0	Any	All Models	8.05-11.0
HP C1085W	Model 700/98ES alpha terminal	RS232, term0	Any	All Models	8.05-11.0
HP C1093x/94W	Model 700/70, 70ES Windowing terminal	RS232	Any	K-Class	10.0-10.20

Terminal Support

Vendor & Product Number	Abbreviated Product Description	Type	Min. Boot ROM	Hardware Qualification and Support	HP-UX Support
700/X Family X-terminals					
HP C2301 ^{oo} A/B	Base unit	802.3, XI1	NOP	Formerly supported on All PA-RISC 1.0 Models	8.05-8.07 ⁷⁸ ∇
HP C2302A ^{oo}	Monochrome, 1024x768 17-in.	802.3, XI1	NOP	Formerly supported on All PA-RISC 1.0 Models	8.05-8.07 ⁷⁸ ∇
HP C2303 ^{oo} A/B	VGA color, 640x480 14-in.	802.3, XI1	NOP	Formerly supported on All PA-RISC 1.0 Models	8.05-8.07 ⁷⁸ ∇
HP C2304 ^{oo} A/B	Hi-res color, 1280x1024 16-in.	802.3, XI1	NOP	Formerly supported on All PA-RISC 1.0 Models	8.05-8.07 ⁷⁸ ∇
HP C2305 ^{oo} A/B	Grey Scale, 1280x1024 19-in.	802.3, XI1	NOP	Formerly supported on All PA-RISC 1.0 Models	8.05-8.07 ⁷⁸ ∇
HP C2307B ^{oo}	Color, Japan, 19-in.	802.3, XI1	NOP	Formerly supported on All PA-RISC 1.0 Models	8.05-8.07 ⁷⁸ ∇
700/RX Family RISC X-terminals					
HP C270 ^{oo} 1A/B	700/RX <i>Mi</i> base unit. 1024x768 monochrome	802.3, XI1	NOP	All Models	8.05 ⁷⁹ -10.10∇
HP C2702 ^{oo} A/B	700/RX 19 <i>Mi</i> X-station. 1024x768 monochrome	802.3, XI1	NOP	All Models	8.05 ⁷⁹ -10.10∇
HP C2704A ^o	700/RX <i>Ci</i> base unit. 1024x768 color	802.3, XI1	NOP	All Models	8.05 ⁷⁹ -10.10∇
HP C2705A ^o	700/RX 14 <i>Ci</i> X-station. VGA, SVGA, 1024x768 color	802.3, XI1	NOP	All Models	8.05 ⁷⁹ -10.10
HP C2706A ^{oo}	700/RX 16 <i>Ci</i> X-station. 1024x768 color	802.3, XI1	NOP	All Models	8.05 ⁷⁹ -10.10∇
HP C2709A ^o	700/RX <i>Ca</i> base unit. 1280x1024 color	802.3, XI1	NOP	All Models	8.05 ⁷⁹ -10.10
HP C2711A ^{oo}	700/RX 19 <i>Ca</i> X-station. 1280x1024 color	802.3, XI1	NOP	All Models	8.05 ⁷⁹ -10.10∇
HP C2730A ^o	<i>Envizex i</i> base X-Station	802.3, XI1		All Models	9.03-10.20
HP C2731A ^o	<i>Envizex a</i> base X-Station	802.3, XI1		All Models	9.03-10.20
HP C2732A ^{oo}	<i>Envizex a</i> accelerate base X-Station	802.3, XI1		Formerly supported	9.03-10.20∇
HP C3226A ^{oo}	700/RX 19 <i>Cs</i> X-station. 1280x1024 color	802.3, XI1	NOP	All Models	8.05 ⁷⁹ -10.10∇
HP C3230A ^o	<i>Entria X</i> -Station, color	802.3, XI1	NOP	All Models	9.05-10.20
HP C3231A ^o	<i>Entria X</i> -Station, mono	802.3, XI1		All Models	9.05-10.20
HP C3232A ^o	<i>Entria X</i> -Station, color, 1280x1024	802.3, XI1		All Models	9.05-10.20
HP C3233A ^{oo}	<i>Entria X</i> -Station, mono, 1280x1024, 14-inch.	802.3, XI1		All Models	9.05-10.20∇
HP C3234A ^o	<i>Entria X</i> -Station, color, 1280x1024	802.3, XI1		All Models	9.05-10.20
HP C3235A ^o	<i>Entria X</i> -Station, color	802.3, XI1		All Models	9.05-10.20
HP C3247A ^o	<i>Aptrex X</i> -terminal for SUN	802.3, XI1	NA	Unsupported	Unsup.
HP C3250-52A ^{oo}	<i>Aptrex X</i> -terminal for SUN	802.3, XI1	NA	Unsupported	Unsup.
HP C3253A	<i>Envizex p</i> X-Station	802.3, XI1		All Models	

Terminal Support

Vendor & Product Number	Abbreviated Product Description	Type	Min. Boot ROM	Hardware Qualification and Support	HP-UX Support
HP C3262A	<i>Entria Plus</i> Graphic Server Console, medium res., 15-inch		Any	All Models	10.01-10.20 ⁸⁰
HP C3264A	<i>Entria Plus</i> Graphic Server Console, high-res.		Any	All Models	10.01-10.20 ⁸⁰
HP C3264A	<i>Entria X-Station</i> , color, 1280x1024 Base Unit 4MB	802.3, X11		All Models	9.05-10.20
HP C5200A	<i>Envizex-II</i> Netstation base unit, 8 MB, 10BaseT, 100VG	802.3/12, SLIP/PPP, X11		All Models	10.01-10.20 ⁸⁰
HP C5201A	<i>Envizex-II</i> Netstation base unit, 8 MB, floppy, 10BaseT, 100VG	802.3/12, SLIP/PPP, X11		All Models	10.01-10.20 ⁸⁰
HP C5202A	<i>Envizex-II</i> Netstation base unit, 8 MB, Thin-LAN+AU1, 10BaseT, 100VG	802.3/12, SLIP/PPP, X11		All Models	10.01-10.20 ⁸⁰
HP C5203A	<i>Envizex-II</i> Netstation base unit, 8 MB, floppy, telephony, 10BaseT, 100VG	802.3/12, SLIP/PPP, X11		All Models	10.01-10.20 ⁸⁰
HP C5850A	<i>Entria-II</i> Netstation 1024 base unit, 8 MB, 10BaseT	802.3, SLIP/PPP, X11		All Models	10.01-10.20 ⁸⁰
HP C5851A	<i>Entria-II</i> Netstation 1280 base unit, 8 MB, 10BaseT	802.3, SLIP/PPP, X11		All Models	10.01-10.20 ⁸⁰
HP J3591A	Secure Web Console, 10BaseT/RJ45-to-RS232C/DB25 HP term0 emulation	802.3	Any	All Models	9.03-11.0
HP 2392A°	Alphanumeric terminal	RS232, term0	Unsup.	Unsupported	Unsup.
HP 2393A°°	Graphics terminal	RS232, term0	Unsup.	Unsupported	Unsup.
HP 2394A°	Data entry terminal	RS232, term0	Unsup.	Unsupported	Unsup.
HP 2397A°°	Color terminal	RS232, term0	Unsup.	Unsupported	Unsup.
HP 2691A°	Chinese (Taiwan) Terminal	RS232			
HP 45850°	HP 150 (any) (as HP 2623A)	RS232, term0	Unsup.	Unsupported	Unsup.

Terminals Notes:

78. Requires C2310A server software. These terminals not supported on 9.x or 10.x.

79. Requires C2716A or later server software.

80. Requires B3651GA or B3653GA software.

Human Interface Devices

HP PA-RISC Workstations directly support HP-HIL, IBM PS/2 MiniDIN or selected RS-232C serial devices for human interface. Supported terminals may locally support additional classes of devices.

See the Graphics Devices section for information on support of human interface devices as graphics peripherals.

Console keyboards, mice and trackballs are supported only via PS/2 or HP-HIL connections (or HP-HIL adaptors), and not via serial.

Button boxes, knob/dial boxes, tablets, digitizers, SpaceBalls are supported only via serial or (full) HP-HIL, and not via PS/2. Some SPU Models

have an HIL port with limited functionality (not "full") and cannot support these devices. See table below.

The HP 46084A° ID Module is supported only on (full) HP-HIL ports. Some SPU Models have an HIL port with limited functionality (not "full") and cannot support the ID Module. See table below.

Human Interface Ports by SPU Model

HP PA-RISC Workstations have phased out HP-HIL on new processors, and presently employ PS/2 MiniDIN and RS-232C serial devices.

Most HP-supplied HP-HIL devices were discontinued December 1, 1996. Only 32-bit HP-UX supports HP-HIL. 64-bit HP-UX does not plan to support HP-HIL.

Some systems have a modular SMD-10 connector and employ an external A4022-62005 adaptor with PS/2 or HIL ports.

SPUs having HIL only may use a PS/2 keyboard and/or mouse by connecting a Modular Industrial Computers MICHIL HIL-to-PS/2 adaptor. This device uses 2 link addresses, and does allow use of other HIL devices.

Some newer SPUs implement HIL via the A4022-62005 adaptor, others have a restricted HIL port, and a few have no built-in HP-HIL ports at all.

When the A4022-62005 adaptor is used with any PS/2 device, the HIL capability is not disabled. Conversely,

if the HIL port is used on the A4022-62005 adaptor, PS/2 ports are still enabled, but use of PS/2 and HIL devices simultaneously is not supported.

For SPUs that have PS/2 only, limited (keyboard & mouse only) HIL may be obtained via the HP A4220A/B kit, which includes a PS2-to-HIL converter, and an HIL ITF keyboard.

Audio capabilities are covered in a separate table.

Human Interface Ports by Model

SPU Model	PS/2 MiniDIN ⁸¹	HP-HIL	RS-232C Serial
Any HIL host with MICHIL PS/2 adaptor	Yes	Yes	No change
Model 712 with A4220A/B HIL adaptor	Used for adaptor	Keyboard only. (Mouse remains on PS/2.)	No change
B132L	Yes	Factory Special only	2 DTE DB9M
B132L Plus	Yes	Factory Special only	2 DTE DB9M
B160L	Yes	Factory Special only	2 DTE DB9M
B180L	Yes	Factory Special only	2 DTE DB9M
C100	Yes	Full	1 DTE DB9M
C110	Yes	Full	1 DTE DB9M
C160	Yes	Full	1 DTE DB9M
C160L	Yes	Full	1 DTE DB9M
C180-XP	Yes	Full	1 DTE DB9M
C200	Yes	Factory Special only	2 DTE DB9M
C240	Yes	Factory Special only	2 DTE DB9M
EPS20	Yes	None	1 DTE DB9M, 1 MDP ⁸²

Human Interface Ports by Model

SPU Model	PS/2 MiniDIN ⁸¹	HP-HIL	RS-232C Serial
J200	Yes	Full	2 DTE DB9M
J210	Yes	Full	2 DTE DB9M
J210XC	Yes	Full	2 DTE DB9M
J2240	Yes	None	
J280	Yes	Full	2 DTE DB9M
J282	Yes	Full	2 DTE DB9M
K260-EG	Yes	None	1 DTE DB9M, 1 MDP ⁸²
K460-EG	Yes	None	1 DTE DB9M, 1 MDP ⁸²
K460-XP	Yes	None	1 DTE DB9M, 1 MDP ⁸²
MPS10	Per Console ⁸³	Per Console ⁸³	Per Console ⁸³
705°	None	Full	2 DTE DB9M
710°	None	Full	2 DTE DB9M
710e	None	Full	2 DTE DB9M
712/(all)	Yes	None ⁸⁴	1 DTE DB9M
715s°	None	Full	
715P	None	Full	
715/33°	None	Full	
715/50°	None	Full	
715/64	Yes, if HIL not used	Full, if PS/2 not used	2 DTE DB9M
715/75	None	Full	2 DTE DB9M
715/80	Yes, if HIL not used	Full, if PS/2 not used	2 DTE DB9M
715/100	Yes, if HIL not used	Full, if PS/2 not used	2 DTE DB9M
715/100XC	Yes, if HIL not used	Full, if PS/2 not used	2 DTE DB9M
720°	None	Full	2 DTE DB9M
725/50°	None	Full	2 DTE DB9M
725/75	None	Full	2 DTE DB9M
725/100	Yes, if HIL not used	Full, if PS/2 not used	2 DTE DB9M
730°	None	Full	2 DTE DB9M
735/(all)	None	Full	2 DTE DB9M
735CL°	Per Console ⁸³	Per Console ⁸³	Per Console ⁸³
742i	None	Full	2 DTE DB9M
743i	Yes	None ⁸⁴	2 DTE Micro 9F
V743	Yes	None ⁸⁴	2 DTE Micro 9F
744	Yes	None ⁸⁴	2 DTE Micro 9F
745i	None	Full	2 DTE DB9M
747i	None	Full	2 DTE DB9M
748i	Yes, if HIL not used	Full, if PS/2 not used	2 DTE Micro 9F
750°	None	Full	2 DTE DB9M
755/(all)	None	Full	2 DTE DB9M

Human Interface Port Notes:

81. For Keyboard and Mouse only.

82. MDP: Modem Distribution Panel -
Used as remote Access Port with
cable J2085A.

83. Human Interface port available only
on console. See entry for console
SPU selected.

84. Limited HP-HIL support (keyboard only) available via discontinued A4220A/B kit.

Audio Input/Output Ports

HP PA-RISC Workstation processors (except Model 742i) provide simple tone generator (beep) output. Most offer analog audio signal input and output.

Legend:

1.5V 1.5Vdc phantom power for electret mics provided via 3.5mm ring.

CS4215(M)	Crystal Semi CS4215 16-bit Codec, wired mono.	F, Front	3.5mm jack on SPU front panel.
CS4215(S)	Crystal Semi CS4215 16-bit Codec, wired stereo.	Internal	Connection via circuit internal to SPU only.
Dsub	Port on 9-pin D-subminiature connector. An optional A4302A cable breaks out Mic In, Line In and Phone Out as 3.5mm jacks.	none	No capability for this function.
PSB2160N	PSB 2160-N 8-bit Codec, mono.	R, Rear	3.5mm jack on SPU rear panel.

Audio Ports

SPU Model	Codec	Mic In	Mic Bias	Phone Out	Speaker Out	Line In	Line Out
B132L	CS4215(S)	Front	1.5V	Front	Internal	Rear	Rear
B132L Plus	CS4215(S)	Front	1.5V	Front	Internal	Rear	Rear
B160	CS4215(S)	Front	1.5V	Front	Internal	Rear	Rear
B160L	CS4215(S)	Front	1.5V	Front	Internal	Rear	Rear
B180L	CS4215(S)	Front	1.5V	Front	Internal	Rear	Rear
C100	CS4215(S)	Front	1.5V	Front	Internal	Rear	Rear
C110	CS4215(S)	Front	1.5V	Front	Internal	Rear	Rear
C160	CS4215(S)	Front	1.5V	Front	Internal	Rear	Rear
C160L	CS4215(S)	Front	1.5V	Front	Internal	Rear	Rear
C180-XP	CS4215(S)	Front	1.5V	Front	Internal	Rear	Rear
C200	CS4215(S)	Front	1.5V	Front	Internal	Rear	Rear
C240	CS4215(S)	Front	1.5V	Front	Internal	Rear	Rear
EPS20 ⁸⁵							
J200	CS4215(S)	Rear	1.5V	Rear	Internal	Rear	Rear
J210	CS4215(S)	Rear	1.5V	Rear	Internal	Rear	Rear
J210XC	CS4215(S)	Rear	1.5V	Rear	Internal	Rear	Rear
J280	CS4215(S)	Rear	1.5V	Rear	Internal	Rear	Rear
J282	CS4215(S)	Rear	1.5V	Rear	Internal	Rear	Rear
K260-EG	CS4215(S)						
K460-EG	CS4215(S)						
K460-XP	CS4215(S)						
MPS10 ⁸⁵	CS4215(S)	Rear	1.5V	Rear	Rear,Int.	Rear	Rear
705°	PSB2160(M)	Rear	none	Rear	Internal	none	none
710°	PSB2160(M)	Rear	none	Rear	Internal	none	none
712 l/all	CS4215(S)	Rear	1.5V	Rear	Internal	Rear	none
715s° l/all	CS4215(S)	Rear ⁸⁶	1.5V	Rear ⁸⁶	Rear,Int.	Rear ⁸⁶	Rear ⁸⁶
715r° l/all	CS4215(S)	Rear ⁸⁶	1.5V	Rear ⁸⁶	Rear,Int.	Rear ⁸⁶	Rear ⁸⁶

Audio Ports

SPU Model	Codec	Mic In	Mic Bias	Phone Out	Speaker Out	Line In	Line Out
715/33°, /50°, /75	CS4215(S)	Front	1.5V	Front	Internal	Rear,Int.	Rear
715/64, /80, /100, /100XC	CS4215(S)	Front	1.5V	Front	Internal	Rear,Int.	Rear
720°	Beep	none	NA	none	Internal	none	none
725 I/all	CS4215(S)	Front	1.5V	Front	Internal	Rear,Int.	Rear
730°	Beep	none	NA	none	Internal	none	none
735/99°, /125	CS4215(S)	Rear	1.5V	Rear	Rear,Int.	Rear	Rear
735CL ⁸⁵	CS4215(S)	Rear	1.5V	Rear	Rear,Int.	Rear	Rear
742i	none ⁸⁷	NA	NA	NA	NA	NA	NA
743i I/all	CS4215(S)	Dsub	1.5V	Dsub	none	Dsub	none
V743 I/all	CS4215(M)	none	NA	Rear	Rear ⁸⁸	Dsub	none
744i I/all							
745i I/all	PSB2160(M)	Rear	none	Rear	Rear	none	none
747i I/all	PSB2160(M)	Rear	none	Rear	Rear	none	none
748i I/all	CS4215(S)	Dsub	1.5V	Dsub	none	Dsub	none
750°	Beep	none	NA	none	Rear ⁸⁹ ,Int.	none	none
755 I/all	CS4215(S)	Rear	1.5V	Rear	Rear,Int.	Rear	Rear

Audio Port Notes:

85. The audio on the cluster nodes is not generally available to users not accessing specific nodes. The console audio depends on the console SPU model.
86. The audio is provided on the A2089-66530 video/audio combination SGC card. The former (s400) speaker jack is disabled. The internal speaker (transducer) is also on the SGC card.
87. The Model 742i is intended to have a serial terminal as console. The terminal presumably responds to Control-G beep codes in the data stream.
88. The V740--series "Speaker" jack requires an external load of at least 30W.
89. The Model 755 has both speaker-out and phone-out. All ports except phone-out are on an SGC-form-factor card that occupies the "spare" SGC slot. This card also carries the optional FDDI or 802.3 LAN daughter board. The system can be run without this card, if for example, HIPPI is required. Only Beep-audio will be available in that case (and FDDI/802.3 would require an EISA card).

Human Interface Device Support

Localization keyboard Options are shown only for the current keyboard kits.

HP-HIL ports and HP-HIL devices will not be supported on 64-bit HP-UX.

The “Min. Boot ROM” column indicates the minimum revision of PDC code supporting that device as system or diagnostic console keyboard.

Pointing, picking, valuating and digitizing devices are ignored for system boot purposes.

For information on SCSI notation, see the Table on page 127.

Human Interface Device Support

Vendor & Product Number	Abbreviated Product Description	Type	Min. Boot ROM	Hardware Qualification and Support	HP-UX Support
HP A1098A°	DOMAIN keyboard kit	RS232	NA	Keyboard not PC DIN std.	No ROM, No driver
HP A1099A°/B°	HP-ITF layout local kit: (46021B & 46060B)	HP-HIL	Any	All HIL Models	8.05-11.0/32
HP A1099C°	HP-ITF layout local kit: (46021B & A2838A)	HP-HIL	Any	All HIL Models	8.05-11.0/32
HP A2205A°°	PC-101 layout HIL local kit: (C1429A & A2838A)	HP-HIL	Any	All HIL Models	8.05-11.0/32
HP A2205B°	PC-101 layout HIL local kit: (C1429B & A2838A)	HP-HIL	Any	All HIL Models	8.05-11.0/32
HP A2548A°	HP-ITF layout keyboard kit for upgrades	HP-HIL	Any	Models 710e, 715s, 715t	8.05-10.20∇
HP A2549A°	PC-101/HIL (C1429B) keyboard kit. See A2205B for Options.	HP-HIL	Any	Models 710e, 715s, 715t	8.05-10.20∇
HP A2838A°	3-button Mouse	HP-HIL	Any	All HP-HIL Models	9.0-11.0/32
HP A2839A°/B	3-button Mouse, parchment	PS/2	Any	All PS/2 Models	9.0-10.20
HP A2839C	3-button Mouse, quartz	PS/2	Any	All PS/2 Models	9.0-11.0
HP A2840A°/B	PC-101 keyboard	PS/2	Any	All PS/2 Models	9.0-11.0
HP A2880A	Japanese JIS keyboard	PS/2	Any	All PS/2 Models	9.0-11.0
HP A2881A ⁹⁰	Japanese JIS keyboard	HP-HIL	Any	All HIL Models	9.0-11.0/32
HP A4022-62005 w/A4022-62003 cable	SMD-10 to HP-HIL and PS/2 (pair) adaptor	SMD-10	Any	Required on Models 715/64, 715/80, 715/100, 715/100XC, 725/100. No SMD-10 on any other Models.	HIL: 9.0-11.0/32 PS/2: 9.03-11.0
HP A4030A°°	Local Kit, PC-101 layout, PS/2 MiniDIN. See A4030F for Options	PS/2	Any	All Models with PS/2	9.03-11.0
HP A4030B	Local Kit, PC-101 layout, PS/2 MiniDIN, parchment white. See A4030F for Options.	PS/2	Any	All Models with PS/2	9.03-11.0
HP A4030D	Local Kit, PC-101 layout, PS/2 MiniDIN interface, quartz gray	PS/2	Any	All Models with PS/2	9.05-11.0
HP A4030E	Local Kit, PC-101 layout, PS/2 MiniDIN interface, quartz gray	PS/2	Any	All Models with PS/2	9.05-11.0

Human Interface Device Support

Vendor & Product Number	Abbreviated Product Description	Type	Min. Boot ROM	Hardware Qualification and Support	HP-UX Support
HP A4030F	User Interface Kit, PC-101/102 layout, PS/2 MiniDIN interface, quartz gray				
Option ABO	Taiwan (Traditional Chinese layout)		Any	All Models with PS/2	9.03-11.0
Option AB1	Korea (Hangul layout)		Any	All Models with PS/2	9.03-11.0
Option AB2	Chinese, simplified (U.S. English layout)		Any	All Models with PS/2	9.03-11.0
Option ABA	U.S. English layout		Any	All Models with PS/2	9.03-11.0
Option ABC	Canada (U.S. English layout)		Any	All Models with PS/2	9.03-11.0
Option ABD	Germany (German layout)		Any	All Models with PS/2	9.03-11.0
Option ABE	Spain (Spanish layout)		Any	All Models with PS/2	9.03-11.0
Option ABF	France (French layout)		Any	All Models with PS/2	9.03-11.0
Option ABG	Australia (U.S. English layout)		Any	All Models with PS/2	9.03-11.0
Option ABH	Netherlands (U.S. English layout)		Any	All Models with PS/2	9.03-11.0
Option ABJ	Japan (U.S. English layout)		Any	All Models with PS/2	9.03-11.0
Option ABK	Intercon (U.S. English layout)		Any	All Models with PS/2	9.03-11.0
Option ABM	Latin America (U.S. English layout)		Any	All Models with PS/2	9.03-11.0
Option ABN	Norway (Norwegian layout)		Any	All Models with PS/2	9.03-11.0
Option ABP	Switzerland (German layout)		Any	All Models with PS/2	9.03-11.0
Option ABQ	Swiss-French (U.S. English layout)		Any	All Models with PS/2	9.03-11.0
Option ABS	Sweden (Swedish layout)		Any	All Models with PS/2	9.03-11.0
Option ABU	U.K. English layout		Any	All Models with PS/2	9.03-11.0
Option ABX	Finland (U.S. English layout)		Any	All Models with PS/2	9.03-11.0
Option ABY	Denmark (Danish layout)		Any	All Models with PS/2	9.03-11.0
Option ABZ	Italy (Italian layout)		Any	All Models with PS/2	9.03-11.0
Option AKX	Belgium (Belgian-Flemish layout)		Any	All Models with PS/2	9.03-11.0
Option ARO	Japan (HP-JIS-104 layout)		Any	All Models with PS/2	9.03-11.0
HP A4049A	Desktop Video Conferencing encoder	nsSCSI	Any	All Models, PA7100LC and 64MB ram recommended	9.03-10.10
Option 058	DVC Camera, digital	video	Any	All Models w/A4049A	9.03-10.20
HP A4220A ^o /B ^o	HP-HIL Local Kit (includes A4220-60001 adaptor and HIL/ITF keyboard.	PS/2	Any	Model 712	9.0-11.0/32
HP A4220-60001 ^o	PS/2 (host) to HP-HIL (keyboard only) adaptor	PS/2	Any	Model 712	9.0-10.20
HP A4360A ^o	HP SpaceBall 2003, 6-axis	RS232	NOP	All Models except B-Class, C-Class, J-Class and K-Class ⁹¹ Application dependent ⁹²	9.0-9.07 ⊥ 10.01-10.20
HP A4361A ^o	HP SpaceBall 3003, 6-axis	RS232	NOP	B-Class, C-Class, J-Class only ⁹¹ , Application dependent ⁹²	9.0-9.07 ⊥ 10.01-10.20
HP A4361C	HP SpaceBall 3003FLX, 6-axis	RS232	NOP	B-Class, C-Class, J-Class, Model 712, Application dependent ⁹²	9.05-9.07 ⊥ 10.01-10.20

Human Interface Device Support

Vendor & Product Number	Abbreviated Product Description	Type	Min. Boot ROM	Hardware Qualification and Support	HP-UX Support
HP A4362A	8-Dial Box	RS232 ⁹³	NOP	All Models with DB9M connectors, except K-Class ⁹¹ , Application dependent ⁹⁴	9.03-9.07 ⁹⁵ ⊥ 10.01-10.20
HP A4363A	32-Button Box	RS232 ⁹³	NOP	All Models with DB9M connectors, except K-Class ⁹¹ , Application-dependent ⁹⁴	9.03-9.07 ⁹⁵ ⊥ 10.01-10.20
HP A4364A	12"x12" Tablet	RS232	NOP	All Models with DB9M connectors, except K-Class ⁹¹ , Application dependent ⁹⁴	9.03-9.07 ⊥ 10.10-10.20
HP A4365A	12"x18" Tablet	RS232	NOP	All Models with DB9M connectors, except K-Class ⁹¹ , Application dependent ⁹⁴	9.03-9.07 ⊥ 10.10-10.20
HP A4370A°	Supra Stereo Headset (microphone and earphones)	Audio	NOP	Models with "mic" and "stereo headphone". See previous table.	8.0-10.20
HP A4371A°	Supra Mono Headset (microphone and earphones)	Audio	NOP	Models with "mic" and "headphone". See previous table.	8.0-10.20
HP A4372A°	Supra NC Mono Headset (NC microphone and earphones)	Audio	NOP	Models with "mic" and "headphone". See previous table.	8.0-10.20
HP A4373A°	Supra Binaural Headset (microphone and earphones)	Audio	NOP	Models with "mic" and "headphone". See previous table.	8.0-10.20
HP A4374A°	Supra NC Binaural Headset (NC microphone and earphones)	Audio	NOP	Models with "mic" and "headphone". See previous table.	8.0-10.20
HP A4375A°	Mirage Capsule Headset (NC microphone and earphones)	Audio	NOP	Models with "mic" and "headphone". See previous table.	8.0-10.20
HP A4959A	HP SpaceBall 2003FLX, 6-axis	RS232	NOP	B-Class, C-Class, J-Class, Model 712, Application dependent ⁹²	9.05-9.07 ⊥ 10.01-10.20
HP B1227A	<i>Vectra</i> Keyboard, Cyrillic/Latin	PS/2	Unsup.	Unsupported	Unsup.
HP C1027A°°	Keyboard, 700/44 PC-101-style (aka C1408A, see 98016A)	MITF-5	Any	See 98016A	
HP C1027C°	Keyboard, 700/44 PC-101-style	MITF-5	Unsup.	Unsupported	Unsup.
HP C1405B	<i>Vectra</i> Keyboard, PC-101, MiniDIN	PS/2	Unsup.	Unsupported	Unsup.
HP C1413A°°	<i>Vectra</i> Mouse, 2-button, MiniDIN	PS/2	Unsup.	Never supported	Unsup.
HP C1429°A/B	Keyboard, PC-101-layout (ordered as A2205 or A2549)	HP-HIL		See A2205 and A2549	
HP C2737A/B	PC-101 Keyboard & mouse for Envizex X-Station	PS/2		See A2840A keyboard	
HP C2738A°	ITF Keyboard & mouse kit for Envizex X-Station	HP-HIL		See product numbers of keyboard & mouse	
HP C2739A	Sun Type 4 keyboard for Netstations	PS/2	Unsup.	Unsupported on SPU	Unsup.
HP C2740A	Sun Type 5 keyboard for Netstations	PS/2	Unsup.	Unsupported on SPU	Unsup.
HP C3241A	IBM 3270-style keyboard for Netstations	PS/2	Unsup.	Unsupported on SPU	Unsup.
HP C3229A	3270-layout keyboard	PS/2	Note ⁹⁶	Note ⁹⁶	9.05-9.07, Note ⁹⁶
HP C3370A	Serial mouse for HP 700/70 terminal	RS232	NOP	Unsupported on SPU	Unsup.
HP C3373A°	MiniDIN Mouse	PS/2	NOP	Unsupported	Unsup.

Human Interface Device Support

Vendor & Product Number	Abbreviated Product Description	Type	Min. Boot ROM	Hardware Qualification and Support	HP-UX Support
HP C3751A°	Vectra Mouse, 2-button, MiniDIN	PS/2	NOP	Unsupported	Unsup.
HP C3753,54,56A	Vectra keyboard PC-101, MiniDIN	PS/2	NOP	Unsupported	Unsup.
HP C3758A	Vectra PC-104 Keyboard, quartz gray, Mini-DIN	PS/2	Unsup.	Unsupported	Unsup. ⁹⁷
HP C4725A	PC-104/105 Keyboard, MiniDIN	PS/2	Unsup.	Unsupported	Unsup. ⁹⁷
HP C5418A	Magellan Space Mouse	RS232	NOP	All Models	
HP E1016A	Barcode reader (92916A)	HP-HIL	NOP	Model 725	8.0-9.05 ¹⁰⁰ ∇
HP J1460A°	Console switch	2xPS/2, Dsub15		Not supported. Difficulties have been reported	
HP J1493A	Console switch, 4-port, EIA	2xPS/2, Dsub15		Unsupported.	
HP J1497A	Console switch, 8port, EIA	2xPS/2, Dsub15		Unsupported.	
HP MST63607	Microsoft Mouse, 2-button	PS/2			
HP M1309A°°	3-button trackball	HP-HIL	NOP	All HIL Models	8.05-10.20∇
HP 286-051-050	Microsoft <i>Natural</i> keyboard, PC-104, U.S.English	PS/2	Unsup.	Under investigation.	Inves. ⁹⁷
HP 35723A°	12-inch touch bezel	HP-HIL	NA	No interface for required monitor	Unsup.
HP 45911°A/C	11x11-in. tablet	HP-HIL	NOP	Unsupported	Unsup.
HP 46021A°°	Keyboard, ITF layout	HP-HIL	Any	All HIL Models	8.0-10.20∇
HP 46021B°	Keyboard, ITF layout (Suggest ordering as A1099C. See A1099C for local Options)	HP-HIL	Any	All HIL Models	8.0-11.0/32
HP 46060A°°	Mouse, 2 button	HP-HIL	NOP	Unsupported	Unsup.
HP 46060B°°	Mouse, 3 button	HP-HIL	NOP	All HIL Models	8.0-10.20∇
HP-HIL Extensions					
HP 46080A°°	2.4m, HP-HIL only (no audio)	HP-HIL	NOP	All full HIL Models	8.05-10.20∇
HP 46081A°	2.4m with audio	HP-HIL	NOP	All full HIL Models	8.05-11.0/32
HP 46082A°	15m w/RGB ⁹⁸ & audio	HP-HIL	NOP	All full HIL Models	8.05-11.0/32
HP 46082B°	30m w/RGB ⁹⁸ & audio	HP-HIL	NOP	All full HIL Models	8.05-11.0/32
HP 46083A°	1-Knob dial set	HP-HIL	NOP	All full HIL Models	8.05-10.10∇
HP 46084A°	ID Module	HP-HIL	NOP	All full HIL Models	8.05--11.0/32
HP 46085A°	9-Knob dials set	HP-HIL	NOP	All full HIL Models	8.05-11.0/32 ⁹⁴
HP 46086A°	32-button pad	HP-HIL	NOP	All full HIL Models	8.05-11.0/32 ⁹⁴
HP 46087A°/B°°	Digitizer, A-size	HP-HIL	NOP	Unsupported	Unsup.
HP 46087C°	Digitizer, A/A4-size, stylus	HP-HIL	NOP	All full HIL Models	8.05--11.0/32 ⁹⁴
HP 46088A°/B°°	Digitizer, B-size	HP-HIL	NOP	Unsupported	Unsup.
HP 46088C°	Digitizer, B/A3-size, stylus	HP-HIL	NOP	All full HIL Models	8.05-11.0/32 ⁹⁴
HP 46090C°	Digitizer, A/A4-size, 4b-cursor	HP-HIL	NOP	All full HIL Models	8.05-11.0/32 ⁹⁴
HP 46091C°°	Digitizer, B/A3-size, 4b-cursor	HP-HIL	NOP	All full HIL Models	8.05-10.20 ⁹⁴ ∇
HP 46094A°	Adaptor, HP-HIL(host) to Honeywell quadrature (device)	HP-HIL	NOP	All full HIL Models	8.05-11.0/32 ⁹⁴

Human Interface Device Support

Vendor & Product Number	Abbreviated Product Description	Type	Min. Boot ROM	Hardware Qualification and Support	HP-UX Support
HP 46095A ^{oo}	Mouse, 3-button	Quad. ⁹⁹	NOP	Formerly supported on HIL Models	8.05-10.20 [∇]
HP 7060A ^{oo}	<i>SketchPro</i> 11x11-in tablet	RS232	NOP	Never supported	Unsup.
Barcode Readers					
HP 92915A ^{oo}	For HP 2390-series terminals and HP150 PCs	MITF-12	⇒	Formerly supported on host terminals	⇐
HP 92916A ^{oo}	For HP 9000 workstations and HP 150-II PCs	HP-HIL	Unsup.	Never supported. See E1016A	Unsup.
HP 92917A ^{oo}	For HP 700 family serial terminals	MITF-5	⇒	Formerly supported on host terminals	⇐
HP 98016A ^o	MITF-5 keyboard adaptor	HP-HIL	Any	Models 705, 710, 720, 730, 750	8.05-10.20 [∇]
HP 98203C ^o	Large Keyboard, Series 200 layout	HP-HIL	No	Does not function correctly on PA-RISC workstations	Unsup.
HP-Apollo A-LPFK ^o	32-button pad	RS232	No	Unsupported	Unsup.
HP-Apollo K1388 ^{oo}	8 knob Dial Set	RS232	Unsup.	Never supported	Unsup.
HP-Apollo K1410 ^{oo}	Mouse, 3-button	Quad. ⁹⁹	NOP	Formerly supported on HIL Models	8.07-10.20 [∇]
HP-Apollo K1422 ^{oo}	SpaceBall XYZ, 8-button	RS232	NOP	Supported as HP A4360A	⇐
HP-Apollo K1424 ^{oo}	Summagraphics <i>Bit Pad Two</i>	RS232	NOP	Never supported	Unsup.
HP-Apollo K1432 ^{oo}	Summagraphics B-size tablet	RS232	NOP	Never supported	Unsup.
HP-Apollo K1434 ^{oo}	Trackball, 3-button Marconi RB2	Quad. ⁹⁹	NOP	Never supported	Unsup.
HP-Apollo K1435 ^{oo}	Trackball, 3-button Itac	Quad. ⁹⁹	NOP	Never supported	Unsup.
HP-Apollo SPTL-2003 ^o	SpaceBall XYZ, 8-button	RS232	NOP	Supported as HP A4360A	⇐
Complementary Hardware Vendors		Note: Listing of CHV devices implies no endorsement or support of them by HP. All hardware and software support claims are drawn from information published by the CHV device supplier.			
Black Box, (412) 746-5500		http://www.blackbox.com/			
SW700 Series	ServSwitch kbd/mouse/monitor switches	2xPS/2, Dsub15		Not officially supported by BlackBox on HP workstations	
ITAC Systems, Inc., 972-494-3073		http://www.mousetrak.com/			
BHPSER	Trackball, 3-button	RS232	NOP	Vendor: All Models except 725	8.05-10.01
B5XXMP or BMPIND	Trackball, 3-button	PS/2	NOP	Vendor: All PS/2 Models	8.05-10.20
BHPSID	Trackball, 3-button	HP-HIL	NOP	Vendor: All HIL Models	8.05-10.20
Modular Industrial Computers, 615-499-0700		http://www.mic.com/			
MICHIL	HP-HIL (host) to PS/2 (keyboard) adaptor. PC-101 keyboard emulates HP C1429A	HP-HIL	Any	All HIL Models	9.0-10.20
Rose Electronics, (800) 333-9343		http://www.rosel.com/			
SVE Series	ServeView PS/2 and Dsub15 keyboard/mouse/monitor switches	2xPS/2, Dsub15		Contact Rose. Some models supported by them for use with HP workstations.	

Human Interface Device Notes:

- | | | |
|---|---|--|
| <p>90. Ordered as product 46021B#AR0, no longer supplied.</p> <p>91. Connector/power and driver/patch installation issues on K-Class are currently under investigation.</p> | <p>92. Includes SpaceWare drivers. May require device-specific support in the application software.</p> <p>93. The A4362A dials and A4363A buttons may “daisy-chain” onto the same serial port, using a C2932A cable, separately ordered.</p> | <p>94. Requires device-specific support in the application software.</p> <p>95. Use on 9.07 (which uses the 10.0 Xserver) requires a patch to install the 10.0 device drivers.</p> |
|---|---|--|

96. Model 712/100XC has correct firmware. 712/60, 712/80, 712/100, 715/64, 715/80, 715/100 and 725 may require special firmware or upgrade. 9.05 requires Xserver and kernel patch.
97. Alt-Ctrl-Break, using the Ctrl and Alt keys on the same side of the keyboard, may not reset an X-Server on some keyboards. Use Ctrl and Alt from opposite sides of the keyboard. Windows and Menu keycodes are passed through, but presently perform no function in HP-UX.
98. Supplied RGB cables are terminated with BNC connectors on both ends. Use with a Dsub15 host connector requires a Dsub15(male)-to-BNC cable (such as a D1191B) and at least three BNC barrel connectors. Use with a captive Dsub15 cable requires a two Dsub15(male)-to-BNC cables, plus a female Dsub15-to-Dsub15 adaptor (HP product A4169A).
99. Honeywell Quadrature. Requires HP 46094A° quadrature adaptor.
100. A defect prevents functioning of this device on HP-UX 9.07 and 10.x. When corrected, this matrix will be revised.
101. HP-UX Euro support pending at time of publication.

Text Printers

This section refers only to text printing capability of the printer. Refer to the Graphics Devices section (next) for information on support of vector/raster printing.

Printer Interfacing

Standard HP PA-RISC Workstation HP-UX supports only networked (*lpd*), simplex (output-only) Centronics parallel and RS-232C serial printers.

Unless the device-side interface supports the *lpd* TCP/IP printer protocol, HP-UX LAN printer support via the JetDirect MIO and XIO cards and

external adaptors is provided by the *JetAdmin* Print Server (See Glossary).

The HP PA-RISC Workstation Centronics interface does not support input from ECP/EPP/IEEE-1284 Bi-Tronic printers.

The simple HP-IB driver provided for

C16xx-series plotters has not been tested with printers. No HP-IB CIPER driver exists for PA-RISC Workstations.

SCSI printers are presently supported only on K-Class systems. For information on SCSI notation, see the Table on page 127.

Printer Interface Support

Interface	Support
AppleTalk/LocalTalk	Not supported (no interface or driver)
HP-IB (IEEE-488)	Not supported (untested)
IR (Infra Red)	Not supported (no interface or driver)
Network, 802.3	All Models, output only. Requires J237x <i>JetAdmin</i> software
Network, 802.5	All Models with 802.5 token ring networking installed. Requires J237x <i>JetAdmin</i> software.
Parallel, simple	All Models, output only.
Parallel, IEEE-1284 (printers)	All Models, output only.
RS-232C Serial	All Models, output only, speeds to 460 Kbps (CTS hardware handshake recommended)
SCSI	K-Class only, bi-directional
USB (Universal Serial Bus)	No support at present.

Page Description Languages

The standard spooler models provide limited conversion of plain-text to HP-PCL. Without *SharedPrint*, *PostScript*® printing is only supported for applications that generate their own Ps output.

If plaintext-to-PostScript, PostScript-to-PCL or PCL-to-PostScript is desired, order *SharedPrint/UX* (B1917B, 9.0x only). Printers supported by *SharedPrint* are noted by [SP] in the HP-UX column.

SharedPrint for HP-UX 10.x no longer includes a PostScript-to-PCL converter. Such a rasterizer (“ARC Press”) is available for HP-UX from ESRI, URL:

<http://www.esri.com>

Printer Page Description Language Support

PDL	Description	Support
Esc-P	Epson PDL	Supported in the Asian System Environment (ASE).
HP-APCL	HP Asian PCL	Supported only with localized HP-UX versions.
HP-GL	HP Graphics Language	Not supported for simple text printing. See Graphics Devices for further support information.
HP-PCL	HP Printer Command Language	PCL-2 thru PCL-5e printers are supported, although not all PCL features are implemented. PCL printers implementing versions earlier than PCL-2 may provide unsatisfactory results. No PCL-6 features are implemented, but PCL-6 printers are supported in their PCL-5 emulation mode. Asian PCL supported in ASE.
HP-PPA	HP Performance Printing Architecture	Unsupported. No driver.

Printer Page Description Language Support

PDL	Description	Support
HP-RTL	HP Raster Transfer Language	Not supported for simple text printing. See Graphics Devices for further support information.
KS/KSSM		Unsupported
QuickDraw	Apple QuickDraw	Unsupported. <i>QuickDraw</i> printers have not been tested, and there is no native HP-UX support for the QD command language. Their functionality in the Macintosh Application Environment is unknown. There have never been upgrade kits to convert <i>Writer</i> (QuickDraw) printers to <i>Jet</i> (PCL) printers.
PostScript	Adobe PostScript	Level 1 and Level 2 printers are supported. HP OpenSpool can convert PostScript to PCL.
PrintGear	Adobe PrintGear	Unsupported (no software support supplied).

Text Printer Support Details

SharedPrint [SP] is a graphical user interface to the 'lp' capability of HP-UX.

With HP-UX 10.0, SharedPrint is no longer a separate product, but is an optional non-cost subsystem of standard HP-UX.

This table includes some HP D- and E-size inkjet plotters, as these are being marketed as "Large Format Printers".

Only the PostScript models are presently supportable as text printers on HP-UX, as there are no HP-UX text drivers for HP-GL or HP-RTL devices.

Text Printer Support

Vendor & Product Number	Abbreviated Product Description	Type	Hardware Qualification and Support	HP-UX Support
HP C1200A	Asian System Printer	RS232, APCL	All Models, for Asian markets only.	8.05-11.0
HP C1202A	Asian Serial Printer	APCL	All Models, for Asian markets only.	8.05-11.0
Option 1AA	Parallel interface	Centronics	All Models	8.05-11.0
Option 1A8	IEEE-488 interface	Simple HP-IB	All Models with HP-IB card in an EISA slot.	8.05-11.0/32
Option 1A9	Serial interface	RS232	All Models	8.05-11.0
HP C1205A	Asian System Printer	RS232, APCL	All Models	9.03-11.0
HP C1208A°	16 ppm Asian laser printer	PCL-4	All Models, for Asian markets only.	
	Serial interface	RS232	As above	
	Parallel interface	Centronics	As above	
HP C1602A°°	<i>PaintJet</i> XL, A/A4,B/A3 color inkjet	PCL		8.05-10.20 [SP]
Option 1AX	Serial/parallel interface	Centronics	All Models	8.05-9.07
Option 1AX	Serial/parallel interface	RS232	All Models	8.05-9.07
Option 1A8	IEEE-488/serial interface	HP-IB	Unsupported	Unsup.
HP C1622A°	<i>PaintWriter</i> , QuickDraw	RS232, Apple-Talk	Unsupported	Unsup.
HP C1645A°	<i>PaintJet</i> XL300	PCL	All Models	9.0-10.20 [SP]
	Parallel Interface	Centronics	All Models	9.0
HP C1642A°°	HP-IB Interface	MIO	Unsupported	Unsup.
HP C2059T°°	<i>JetDirect</i> TCP/IP interface	MIO	All Models	8.0-10.20 w/ <i>JetAdmin</i> ^{102,105}
HP J2340A°°	<i>JetDirect</i> TCP/IP interface	MIO	All Models	8.0-10.20, w/ <i>JetAdmin</i> ^{102,105}

Text Printer Support

Vendor & Product Number	Abbreviated Product Description	Type	Hardware Qualification and Support	HP-UX Support
HP C1656A°	<i>PaintJet</i> XL300/PS	PCL	All Models	9.0-10.20 [SP]
	Parallel Interface	Centronics	All Models	9.0
HP C2059T°°	<i>JetDirect</i> TCP/IP interface	MIO	All Models	8.0-10.20 ¹⁰⁵
HP J2340A°°	<i>JetDirect</i> TCP/IP interface	MIO	All Models	8.0-10.20, w/ <i>JetAdmin</i> ^{102,105}
HP C1676A°	<i>DeskJet</i> 1200C, 300 dpi color		All Models	9.05-10.20 [SP]
	HP-PCL	PCL	All Models	9.05 =w/C2865A
	PostScript	Ps-2	All Models	9.05-10.20
	Parallel i/f	Parallel		9.05 =w/J255xA°
	<i>JetDirect</i> i/f	MIO	All Models	9.05-10.20, w/ <i>JetAdmin</i> ¹⁰⁵
HP C1686A°	<i>DeskJet</i> 1200C/PS, 300 dpi color		Per Interface	9.05-10.20 [SP]
	HP-PCL	PCL-5	All Models	9.05-10.20
	PostScript	Ps-2	All Models	9.05-10.20
	Parallel i/f	Parallel	All Models	9.05-10.20
	<i>JetDirect</i> i/f	MIO	All Models	9.05-10.20, w/ <i>JetAdmin</i> ¹⁰⁵
HP C2001A°	<i>LaserJet</i> 4	PCL-5	All Models	9.05-10.20 [SP]
HP C2080A	PostScript SIMMs	Ps-2	All Models	9.05-10.20
	Serial Interface	RS232	All Models	9.05
	Parallel interface	Parallel	All Models. Output only.	9.05
w/ J2340A°°	<i>JetDirect</i> TCP/IP interface	MIO	All Models	9.05,10.20, w/ <i>JetAdmin</i> ¹⁰⁵
HP C2003A°	<i>LaserJet</i> 4L	PCL-5		10.01-10.20 [SP]
	Parallel interface	Parallel	All Models. Output only.	
w/J238xB°,J239xA	<i>JetDirect</i> external adaptor	802.3	All Models	10.01-10.20, w/ <i>JetAdmin</i> ¹⁰⁵
HP C2005A°	<i>LaserJet</i> 4P	PCL-5	All Models	9.01-10.20
	Parallel interface		All Models	9.01-10.20
HP C2049A°	PostScript Level 2 SIMM for <i>LaserJet</i> 4P	SIMM	All Models	9.01-10.20
HP C2007A°	<i>LaserJet</i> IIP Plus, 4ppm	PCL-4	All Models	8.05-10.20 [SP]
	Parallel interface	Parallel	All Models	8.05-10.20
	Serial interface	RS232	All Models	8.05-10.20
HP C2010A°	<i>LaserJet-4si</i> , 17 ppm		All Models	8.05-10.20 [SP]
	HP Printer Command Language	PCL-5	All Models	8.05-10.20
w/C2013A	Adobe <i>PostScript</i> Level 2	Ps2	All Models	8.05-10.20
	Parallel interface	Parallel	All Models	8.05-10.20
w/J255xA°	<i>JetDirect</i> interface	MIO	All Models	8.05-10.20, w/ <i>JetAdmin</i> ¹⁰⁵
HP C2011A°	<i>LaserJet-4siMX</i> , 17 ppm		All Models	8.05-10.20 [SP]
	HP Printer Command Language	PCL-5	All Models	8.05-10.20
	Adobe <i>PostScript</i> Level 2	Ps2	All Models	8.05-10.20
	Parallel interface	Parallel	All Models	8.05-10.20
w/J255xA°	<i>JetDirect</i> interface	MIO	All Models	8.05-10.20, w/ <i>JetAdmin</i> ¹⁰⁵
HP C2015A°	<i>LaserJet</i> 4ML	PCL-5		10.01-10.20 [SP]
	PostScript level 2	Ps2		
	Parallel interface	Parallel	All Models. Output only.	

Text Printer Support

Vendor & Product Number	Abbreviated Product Description	Type	Hardware Qualification and Support	HP-UX Support
HP C2021A°	<i>LaserJet 4M</i>	PCL-5	All Models	9.01-10.20 [SPI]
	PostScript pers.	Ps2	All Models	9.01-10.20
	Parallel i/f	Parallel	All Models	9.01-10.20
HP C2037A°	<i>LaserJet 4 Plus</i>	PCL-5	All Models	9.01-10.20 [SPI]
w/C2080A	PostScript SIMMs	Ps2	All Models	9.01-10.20
	Serial Interface	RS232	All Models	9.01-10.20
	Parallel interface	Parallel	All Models. Output only.	9.01-10.20
w/J255xA°	<i>JetDirect</i> TCP/IP interface	MIO	All Models	9.01-10.20, w/ <i>JetAdmin</i> ¹⁰⁵
HP C2039A°	<i>LaserJet 4M Plus</i>	PCL-5	All Models	9.01-10.20 [SPI]
	PostScript level 2	Ps2	All Models	9.01-10.20
	Serial Interface	RS232	All Models	9.01-10.20
	Parallel interface	Parallel	All Models. Output only.	9.01-10.20
w/J255xA°	<i>JetDirect</i> TCP/IP interface	MIO	All Models	9.01-10.20, w/ <i>JetAdmin</i> ¹⁰⁵
HP C2040A°	<i>LaserJet 4MP</i>	PCL-5	All Models	9.01--10.20 [SPI]
	PostScript level 2	Ps2	All Models	9.01-10.20
	Parallel interface	Parallel	All Models. Output only.	9.01-10.20
w/J238xB°, J239xA	<i>JetDirect</i> external adaptor	802.3	All Models	10.01-10.20, w/ <i>JetAdmin</i> ¹⁰⁵
HP C2049A°	PostScript Level 2 SIMM for <i>LaserJet 4P</i>	SIMM	See	
HP C2059T°	<i>JetDirect</i> 10base2/AUI TCP/IP interface	MIO	Per peripheral	8.05-10.20 ▽, w/ <i>JetAdmin</i> ¹⁰²
HP C2071S°	<i>JetDirect</i> 10baseT TCP/IP interface	XIO	Per peripheral	8.05-10.20, w/ <i>JetAdmin</i>
HP C2071T°	<i>JetDirect</i> 10base2 TCP/IP interface	XIO	Per peripheral	8.05-10.20, w/ <i>JetAdmin</i>
HP C2088A°	PCL-5 cartridge for <i>LaserJet IIP</i>	Font slot	All Models	8.05-10.20 ▽ [SPI]
HP C2089A°	<i>PostScript Plus</i> (level 2) cartridge for <i>LaserJet-III, IIID</i> and <i>IIIP</i>	Font slot	All Models	8.05-10.20 ▽ [SPI]
HP C2106A°	<i>DeskJet 500</i> , 300 dpi, A-size	PCL-3	All Models	8.05-10.20
HP C2113A°	<i>DeskWriter C</i> , (QuickDraw)	AppleTalk	No interface	No driver
HP C2114A°	<i>DeskJet 500C</i> , 300 dpi, color	PCL-3	All Models	8.07-10.20 [SPI]
	Parallel interface	Parallel	All Models	8.07-10.20
	Serial interface	RS232	All Models	8.07-10.20
HP C2121A°	<i>DeskJet 550C</i> , 300 dpi, color	PCL-3	All Models	8.07-10.20 [SPI]
	Parallel interface	Parallel	All Models	8.07-10.20
	Serial interface	RS232	All Models	8.07-10.20
HP C2124A°	<i>DeskWriter 550C</i> , (QuickDraw)	AppleTalk	No interface	No driver
HP C2127A°	<i>DeskJet 510</i>	PCL		
HP C2128A°	<i>DeskWriter 510</i> (QuickDraw)	AppleTalk	No interface	No driver
HP C2145A	<i>DeskJet 850C</i>	PCL, Par.	Unsupported	Unsup. ¹⁰³
HP C2164A	<i>DeskJet 660C</i>	PCL, Par.	Unsupported	Unsup. ¹⁰³
HP C2165A	<i>DeskWriter 660C</i> (QuickDraw)	AppleTalk	No interface	No driver
HP C2168A°	<i>DeskJet 560C</i>	PCL, Par.	All Models	9.03-10.20 [SPI]
HP C2169A°	<i>DeskWriter 560C</i> , (QuickDraw)	AppleTalk	No interface	No driver
HP C2170A°	<i>DeskJet 520</i> , 300 dpi, black	PCL, Par.	Unsupported	Unsup. ¹⁰³
HP C2171A°	<i>DeskWriter 520</i> (QuickDraw)	AppleTalk	No interface	No driver

Text Printer Support

Vendor & Product Number	Abbreviated Product Description	Type	Hardware Qualification and Support	HP-UX Support
HP C2184A	<i>DeskJet</i> 600	PCL, Par.	Unsupported	Unsup. ¹⁰³
HP C2185A	<i>DeskWriter</i> 600 (QuickDraw)	AppleTalk	No interface	No driver
HP C2354A°	Series 2300 Model 840 lpm dot-matrix impact	PCL	All Models	9.0-10.10
Option 1AX	Parallel i/f	Parallel	All Models	9.0-10.10
Option 1AX	Serial i/f	RS232	All Models	9.0-10.10
Option UGN	<i>JetDirect</i> EX TCP/IP adaptor	802.3	All Models	9.0-10.10, w/ <i>JetAdmin</i> ¹⁰⁵
HP C2356A°	Series 2300 Model 1100 lpm dot-matrix impact	PCL	All Models	9.0-10.10
Option 1AX	Parallel i/f	Parallel	All Models	9.0-10.10
Option 1AX	Serial i/f	RS232	All Models	9.0-10.10
Option UGN	<i>JetDirect</i> EX TCP/IP adaptor	802.3	All Models	9.0-10.10, w/ <i>JetAdmin</i> ¹⁰⁵
HP C2603A°°	<i>DeskJet</i> 500J (Japanese)	EscP	Unsupported	Unsup.
HP C2605A°	<i>DeskJet</i> 500K (Korean)	PCL, KS/KSSM	Unsupported	Unsup.
HP C2608A°	<i>DeskJet</i> 505J (Japanese)	EscP	Unsupported	Unsup.
w/C3054A°°	PCL cartridge	PCL-3	Unsupported	Unsup.
HP C2613A°	<i>DeskJet</i> 300J (Japanese)	EscP	Unsupported	Unsup.
HP C2614A°	<i>DeskJet</i> Portable	PCL, Par.	Unsupported	Unsup.
HP C2617A°	<i>DeskWriter</i> 310 (QuickDraw)	AppleTalk	No interface	No driver
HP C2618A°	<i>DeskJet</i> 505K (Korean)	PCL, KS/KSSM		
HP C2620A°	<i>DeskJet</i> 500Q	PCL, APL, GB2312		
HP C2621A°	<i>DeskJet</i> 310	PCL	Unsupported	Unsup.
HP C2633°/36°A	<i>DeskWriter</i> 320	AppleTalk	No interface	No driver
HP C2634°/37A°	<i>DeskJet</i> 320, 600x300 dpi portable inkjet	PCL, Par.	Unsupported	Unsup. ¹⁰³
HP C2642A°	<i>DeskJet</i> 400 Printer	IEEE-1284	Unsupported	Unsup. ¹⁰³
HP C2643A	<i>DeskJet</i> 660K	KS/KSSM		
HP C2644A	<i>DeskJet</i> 600K	KS/KSSM		
HP C2655A	<i>DeskJet</i> 340, 600x300 dpi portable inkjet	PCL, Par.	Unsupported	Unsup. ¹⁰³
HP C2666A°	<i>DeskJet</i> 200	PCL, Par.	Unsupported	Unsup.
HP C2670A HP C2673A	<i>DeskJet</i> 1000Cse <i>DeskJet</i> 1000Cxi	PPA	No function	No PPA drivers
HP C2675A	<i>DeskJet</i> 1100C	PCL, Par.	Unsupported	Unsup. ¹⁰³
HP C2678A HP C2679A HP C2680A HP C2681A	<i>DeskJet</i> 1120C <i>DeskJet</i> 1120Cse <i>DeskJet</i> 1120Cxi HP-NEC <i>DeskJet</i> 1120C	PCL, Par.	Unsupported	Unsup. ¹⁰³
HP C2753°/54°A°°/B	Model F100 Page Printer	PCL, nsSCSI	K-Class	
HP C2755°/56°A/B	Model F135XP Page Printer	PCL, nsSCSI	K-Class	
HP C2772°/73°A	Model F100XP Page Printer	PCL, nsSCSI	K-Class	
HP C2776°/77°A	Model F135 Page Printer	PCL, nsSCSI	K-Class	
HP C2865A°	PostScript Level 2 for DJ1200C	SIMM	See C1676A	

Text Printer Support

Vendor & Product Number	Abbreviated Product Description	Type	Hardware Qualification and Support	HP-UX Support
HP C2890A	OfficeJet	PCL, Par.	Unsupported	Unsup.
HP C2891A	OfficeJet LX	PCL, Par.	Unsupported	Unsup.
HP C3081A	<i>LaserJet</i> 6L/Scanner bundle	IEEE-1284	Unsupported	No driver for scanner
HP C3081A	<i>LaserJet</i> 5se	PCL-6	All Models, PCL-5 mode	9.05-9.07 ⊥ 10.01-10.20
w/C3918A	PostScript Level 2	SIMM	All Models	
	Parallel port	Parallel	All Models	
w/J25xx	<i>JetDirect</i> interface	MIO	All Models	9.05-9.07 ⊥ 10.01-10.20 ¹⁰⁵
HP C3082A	<i>LaserJet</i> 5se		See C3081A in this section.	
HP C3091A	<i>LaserJet</i> 6P/EX, printer & <i>JetDirect</i> EX bundle	802.3	All Models	10.20
HP C3094A	<i>LaserJet</i> 4000se, 17ppm, 1200dpi, 500-sheet		Per Interface and PDL	
	HP Printer Command Language	PCL-6	All Models	9.05-10.20, w/ <i>JetAdmin</i> ¹⁰⁵
	PostScript Level 2 emulation	Ps2	All Models	9.05-10.20, w/ <i>JetAdmin</i> ¹⁰⁵
	IEEE-1284 interface	Parallel	Unsupported.	Unsup.
	RS-232C serial interface	Serial	Unsupported.	Unsup.
HP J311xA	<i>JetDirect</i> interface card	EIO	All Models	9.05-10.20, w/ <i>JetAdmin</i> ¹⁰⁵
HP C3100A°	<i>Color LaserJet</i> A/B-size	PCL-5	All Models	9.05-10.20 ¹⁰⁴
w/C3112A	PostScript Level 2	SIMM	All Models	9.05-10.20 ¹⁰⁴
	Parallel port	Parallel	All Models	9.05-10.20 ¹⁰⁴
w/J255xA°	<i>JetDirect</i> TCP/IP interface	MIO	All Models	9.05-10.20 ^{104, 105}
HP C3124A	<i>LaserJet</i> 5siHM		See C3166A in this section.	
HP C3134A°	<i>LaserJet</i> 4PJ	2-byte PCL		
HP C3141A°	<i>LaserJet</i> 4V A/B-size	PCL-5	All Models	10.01-10.20
w/C3159A	PostScript Level 2	SIMM	All Models	10.01-10.20
	Parallel port	Parallel	All Models	10.01-10.20
w/J255xA°	<i>JetDirect</i> TCP/IP interface	MIO	All Models	10.01-10.20 ¹⁰⁵
HP C3142A°	<i>LaserJet</i> 4MV A/B-size	PCL-5	All Models	10.01-10.20
	PostScript Level 2	Ps2	All Models	10.01-10.20
	Parallel port	Parallel	All Models	10.01-10.20
	<i>JetDirect</i> TCP/IP interface	802.3	All Models	10.01-10.20 ¹⁰⁵
HP C3150A°	<i>LaserJet</i> 5P, 600 dpi, 6 ppm	PCL-5e	Per Interface	
w/C3152A	PostScript Level 2	SIMM	Per Interface	
	Parallel	Parallel		
	InfraRed port	IrDA	No interface	Unsup.
w/J238xB°, J239xA	<i>JetDirect</i> external adaptor	802.3	All Models	9.05-10.10, w/ <i>JetAdmin</i> ¹⁰⁵
HP C3155A°	<i>LaserJet</i> 5MP, 600 dpi, 6 ppm	PCL-5e	Per Interface	
	PostScript Level 2			
	Parallel	Parallel		
	InfraRed port	IrDA	No interface	Unsup.
w/J238xB°, J239xA	<i>JetDirect</i> external adaptor	802.3	All Models	9.05-10.10, w/ <i>JetAdmin</i> ¹⁰⁵

Text Printer Support

Vendor & Product Number	Abbreviated Product Description	Type	Hardware Qualification and Support	HP-UX Support
HP C3166A	<i>LaserJet 5si</i> , 600 dpi, A/B, 24ppm	PCL	Per interface	9.05-10.10 ¹⁰⁵
w/C3169A	PostScript Level 2	SIMM	All Models	9.05-10.10 ¹⁰⁵
	IEEE-1284 interface	parallel		
w/J255xA°	<i>JetDirect</i> network interface	MIO	All Models	9.05-10.10, w/ <i>JetAdmin</i> ¹⁰⁵
HP C3167A	<i>LaserJet 5siMX</i> , 600 dpi, A/B, 24ppm	PCL	Per interface	9.05-10.10 ¹⁰⁵
	PostScript Level 2	SIMM	All Models	9.05-10.10 ¹⁰⁵
	IEEE-1284 interface	parallel		
	<i>JetDirect</i> network interface	std.	All Models	9.05-10.10, w/ <i>JetAdmin</i> ¹⁰⁵
HP C3195A° HP C3196A°	<i>DesignJet 750C</i> , 24-inch <i>DesignJet 750C</i> , 36-inch			
	HP-RTL personality	HP-RTL	All Models	No RTL text driver
	Serial interface	RS232	All Models	
	Parallel i/f	Parallel	All Models	
w/J238x°/239x	<i>JetDirect</i> Ex Network adaptor	802.3/5	All Models	No RTL text driver
HP C3198A°/B	<i>DesignJet 755CM</i> inkjet printer, 300 dpi, A0/ E-size	PCL	All Models	9.05-10.10
	PostScript level 2	Ps2	All Models	9.05-10.10
	Parallel	Parallel	All Models	9.05-10.10 ¹⁰⁵
	Network i/f	802.3	All Models	9.05-10.10, w/ <i>JetAdmin</i> ¹⁰⁵
HP C3201A°/B	LP 475 dot-matrix impact			
HP C3202A°/B	LP 475Q quietized			
HP C3203A°	LP 800			
HP C3204A°/B	LP 800Q quietized			
HP C3205A°/B	LP 1200Q quietized			
	HP command lang.	PCL-2	All Models	9.03-10.20
	Parallel interface	Parallel	All Models	9.03-10.20
	Serial interface	RS232	All Models	9.03-10.20
HP J2593/94x	<i>JetDirectEX+3</i>	802.3	All Models	9.03-10.20 ¹⁰⁵
HP C3540A°	<i>DeskJet 1600C</i> , 300 dpi color		All Models	10.01-10.20
	HP-PCL	PCL-5c	All Models	10.01-10.20
w/C2865A°	PostScript	Ps-2	All Models	10.01-10.20
	Parallel i/f	Parallel	All Models	10.01-10.20
w/J255xA°	<i>JetDirect</i> i/f	MIO	All Models	10.01-10.20
HP C3540°/J/N	<i>DeskJet 1600CN</i> , 300 dpi color			10.01-10.20
	HP-PCL	PCL-5c	All Models	10.01-10.20
	PostScript	Ps-2	All Models	10.01-10.20
	Parallel i/f	Parallel	All Models	10.01-10.20
	<i>JetDirect</i> i/f	MIO	All Models	10.01-10.20

Text Printer Support

Vendor & Product Number	Abbreviated Product Description	Type	Hardware Qualification and Support	HP-UX Support
HP C3541A°	<i>DeskJet</i> 1600CM, 300 dpi color		Per Interface	9.05-9.07 ⊥ 10.01-10.20
	HP-PCL	PCL-5c	All Models	9.05-9.07 ⊥ 10.01-10.20
w/C2865A°	PostScript	Ps-2	All Models	9.05-9.07 ⊥ 10.01-10.20
	Parallel i/f	Parallel	All Models	9.05-9.07 ⊥ 10.01-10.20
	JetDirect i/f	MIO	All Models	9.05-9.07 ⊥ 10.01-10.20
HP C3817A, HP C3819A	<i>CopyJet</i> and <i>CopyJet</i> M	IEEE-1284	Supported as DeskJet 1200C or 1200C/PS.	9.05-10.10, w/ JetAdmin ¹⁰⁵
HP C3916A	<i>LaserJet</i> 5	PCL-6	All Models, PCL-5 mode	9.05-9.07 ⊥ 10.01-10.20
w/C3918A	PostScript Level 2	SIMM	All Models	
	Parallel port	Parallel	All Models	
w/J25xx	<i>JetDirect</i> interface	MIO	All Models	9.05-9.07 ⊥ 10.01-10.20 ¹⁰⁵
HP C3917A	<i>LaserJet</i> 5M	PCL-6	All Models, PCL-5 mode	9.05-9.07 ⊥ 10.01-10.20
	PostScript Level 2	SIMM	All Models	
	Parallel port	Parallel	All Models	
w/J25xx	<i>JetDirect</i> interface	MIO	All Models	9.05-9.07 ⊥ 10.01-10.20 ¹⁰⁵
HP C3941A°	<i>LaserJet</i> 5L	PCL-5		
	Parallel interface	Parallel	Output only. Input non-functional	
HP C3941B/C	<i>LaserJet</i> 5L-Xtra	PCL-5	All Models	
	Parallel interface	IEEE-1284	Unsupported	
w/J259xA	<i>JetDirect</i> -EX print server	802.3/5	All Models	9.05-10.20, w/ JetAdmin ¹⁰⁵
HP C3948A	<i>LaserJet</i> 3100, printer, fax, copier, scanner	IEEE-1284	Unsupported	No drivers
HP C3952A	<i>LaserJet</i> 5N	PCL-6	All Models, PCL-5 mode	9.05-9.07 ⊥ 10.01-10.20
w/C3918A	PostScript Level 2	SIMM	All Models	
	Parallel port	Parallel	All Models	
	<i>JetDirect</i> interface	MIO	All Models	9.05-9.07 ⊥ 10.01-10.20 ¹⁰⁵
HP C3961A	Color <i>LaserJet</i> 5			
w/C3963A	PostScript Level 2	SIMM	All Models	
	Parallel port	Parallel	All Models	
	<i>JetDirect</i> interface	MIO	All Models	9.05-9.07 ⊥ 10.01-10.20 ¹⁰⁵
HP C3962A	Color <i>LaserJet</i> 5M			
	PostScript Level 2	Ps2	All Models	9.05-10.20, w/ JetAdmin ¹⁰⁵
	Parallel interface	IEEE-1284	Unsupported	
	<i>JetDirect</i> interface	802.3/5	All Models	9.05-10.20, w/ JetAdmin ¹⁰⁵
HP C3980A	<i>LaserJet</i> 6P	PCL-6	All Models (as PCL 5)	9.05-10.20, w/ JetAdmin ¹⁰⁵
w/HP C3987A	PostScript Level 2 SIMM	Ps2	All Models	9.05-10.20, w/ JetAdmin ¹⁰⁵
	Parallel interface	IEEE-1284	Unsupported	
w/J259xA	<i>JetDirect</i> -EX print server	802.3/5	All Models	9.05-10.20, w/ JetAdmin ¹⁰⁵

Text Printer Support

Vendor & Product Number	Abbreviated Product Description	Type	Hardware Qualification and Support	HP-UX Support
HP C3982A	<i>LaserJet</i> 6MP	PCL-6	All Models (as PCL 5)	9.05-10.20, w/ JetAdmin ¹⁰⁵
	<i>PostScript</i> Level 2	Ps2	All Models	9.05-10.20, w/ JetAdmin ¹⁰⁵
	Parallel interface	IEEE-1284	Unsupported	
w/J259xA	<i>JetDirect</i> -EX print server	802.3/5	All Models	9.05-10.20, w/ JetAdmin ¹⁰⁵
HP C3998A	<i>LaserJet</i> 6L/Scanner bundle	IEEE-1284	Unsupported	No driver for scanner
HP C3990A	<i>LaserJet</i> 6L	PCL-6	All Models (as PCL 5)	9.05-10.20, w/ JetAdmin ¹⁰⁵
	Parallel interface	IEEE-1284	Unsupported	
w/J259xA	<i>JetDirect</i> -EX print server	802.3/5	All Models	9.05-10.20, w/ JetAdmin ¹⁰⁵
HP C3994A	<i>LaserJet</i> 6Lse	PCL-6	All Models (as PCL 5)	9.05-10.20, w/ JetAdmin ¹⁰⁵
	Parallel interface	IEEE-1284	Unsupported	
w/J259xA	<i>JetDirect</i> -EX print server	802.3/5	All Models	9.05-10.20, w/ JetAdmin ¹⁰⁵
HP C3996A	<i>LaserJet</i> 6Lxi	PCL-6	All Models (as PCL 5)	9.05-10.20, w/ JetAdmin ¹⁰⁵
	Parallel interface	IEEE-1284	Unsupported	
w/J259xA	<i>JetDirect</i> -EX print server	802.3/5	All Models	9.05-10.20, w/ JetAdmin ¹⁰⁵
HP C4000°/01A°	HP 5000 Model C30, 300 dpi, 30ppm	Any	Unsupported	Unsup.
HP C4002°/03A°	HP 5000 Model C30D, 300 dpi, 30ppm	Any	Unsupported	Unsup.
HP C4076A HP C4077A HP C4176A	<i>LaserJet</i> 5si Mopier, 600 dpi, 24ppm, A/B, PostScript, 802.3	PCL	Per interface	9.05-10.20 ¹⁰⁵
	PostScript Level 2	SIMM	All Models	9.05-10.20 ¹⁰⁵
	IEEE-1284 interface	parallel	Unsupported	
	<i>JetDirect</i> network interface	std.	All Models	9.05-10.20 w/JetAdmin
HP C4085A HP C4086A HP C4086A	<i>LaserJet</i> 8000, 8000N, 8000DN, 1200 dpi, 24ppm			
	Parallel Interface	IEEE-1284	Unsupported	Unsup.
	Network Interface	802.3	All Models	9.05-11.0, w/ JetAdmin ¹⁰⁵
	HP Printer Command Language	PCL-5, -6		
	PostScript emulation	Level 2	All Models	9.05-11.0, w/ JetAdmin ¹⁰⁵
HP C4110A	<i>LaserJet</i> 5000		Per Interface and PDL	
	HP Printer Command Language	PCL-6	All Models	9.05-10.20, w/ JetAdmin ¹⁰⁵
	PostScript Level 2 emulation	Ps2	All Models	9.05-10.20, w/ JetAdmin ¹⁰⁵
	IEEE-1284 interface	Parallel	Unsupported.	Unsup.
	RS-232C serial interface	Serial	Unsupported.	Unsup.
HP J311xA	<i>JetDirect</i> interface card	EIO	All Models	9.05-10.20, w/ JetAdmin ¹⁰⁵
HP C4111A	<i>LaserJet</i> 5000N		Per Interface and PDL	
	HP Printer Command Language	PCL-6	All Models	9.05-10.20, w/ JetAdmin ¹⁰⁵
	PostScript Level 2 emulation	Ps2	All Models	9.05-10.20, w/ JetAdmin ¹⁰⁵
	IEEE-1284 interface	Parallel	Unsupported.	Unsup.
	RS-232C serial interface	Serial	Unsupported.	Unsup.
	<i>JetDirect</i> interface card	EIO	All Models	9.05-10.20, w/ JetAdmin ¹⁰⁵

Text Printer Support

Vendor & Product Number	Abbreviated Product Description	Type	Hardware Qualification and Support	HP-UX Support
HP C4112A	LaserJet 5000GN		Per Interface and PDL	
	HP Printer Command Language	PCL-6	All Models	9.05-10.20, w/ JetAdmin ¹⁰⁵
	PostScript Level 2 emulation	Ps2	All Models	9.05-10.20, w/ JetAdmin ¹⁰⁵
	IEEE-1284 interface	Parallel	Unsupported.	Unsup.
	RS-232C serial interface	Serial	Unsupported.	Unsup.
	JetDirect interface card	EIO	All Models	9.05-10.20, w/ JetAdmin ¹⁰⁵
HP C4118A HP C4119A	LaserJet 4000, 17ppm, 1200dpi, 500-sheet LaserJet 4000T, 2x250-sheet		Per Interface and PDL	
	HP Printer Command Language	PCL-6	All Models	9.05-10.20, w/ JetAdmin ¹⁰⁵
	PostScript Level 2 emulation	Ps2	All Models	9.05-10.20, w/ JetAdmin ¹⁰⁵
	IEEE-1284 interface	Parallel	Unsupported.	Unsup.
	RS-232C serial interface	Serial	Unsupported.	Unsup.
HP J311xA	JetDirect interface card	EIO	All Models	9.05-10.20, w/ JetAdmin ¹⁰⁵
HP C4120A HP C4121A	LaserJet 4000N, EIO LAN, 500-sheet LaserJet 4000TN, 2x250-sheet		Supported on all models via JetDirect i/f	
	HP Printer Command Language	PCL-6	All Models	9.05-10.20, w/ JetAdmin ¹⁰⁵
	PostScript Level 2 emulation	Ps2	All Models	9.05-10.20, w/ JetAdmin ¹⁰⁵
	IEEE-1284 interface	Parallel	Unsupported.	Unsup.
	RS-232C serial interface	Serial	Unsupported.	Unsup.
HP C4175A, C4177A	LaserJet 3100, printer, fax, copier, scanner	IEEE-1284	Unsupported	No drivers
HP C4212A	LaserJet 6Pse	PCL-6	All Models (as PCL 5)	9.05-10.20, w/ JetAdmin ¹⁰⁵
w/HP C3987A	PostScript Level 2 SIMM	Ps2	All Models	9.05-10.20, w/ JetAdmin ¹⁰⁵
	Parallel interface	IEEE-1284	Unsupported	
w/J259xA	JetDirect-EX print server	802.3/5	All Models	9.05-10.20, w/ JetAdmin ¹⁰⁵
HP C4213A	LaserJet 6Pxi			
w/HP C3987A	PostScript Level 2 SIMM	Ps2	All Models	9.05-10.20, w/ JetAdmin ¹⁰⁵
	Parallel interface	IEEE-1284	Unsupported	
w/J259xA	JetDirect-EX print server	802.3/5	All Models	9.05-10.20, w/ JetAdmin ¹⁰⁵
HP C4228A	HP Mopier 240 (LaserJet 5si bundle)		See C3166A in this section.	
HP C4530A-G	HP 2000Cxi, color inkjet	PCL-3, IEEE-1284	Unsupported	Unsup.
HP C4531A	DeskJet 820Cxi	PPA, IEEE-1284	Unsupported	No driver ¹⁰⁶
HP C4547A°	DeskJet 600C	PCL-3, IEEE-1284	Unsupported	Unsup. ¹⁰³
HP C4548A°	DeskJet 660Cse	PCL-3	Unsupported	Unsup. ¹⁰³
HP C4551A°	DeskJet 855C, 300 dpi color	PCL, Parallel QuickDraw/LT	Unsupported	Unsup. ¹⁰³
HP C4555A°	DeskJet 870Cxi Printer	IEEE-1284	Unsupported	Unsup. ¹⁰³
HP C4562A-F/K	DeskJet 690C printer	IEEE-1284	Unsupported	Unsup. ¹⁰³
HP C4562B	DeskJet 695C printer	IEEE-1284	Unsupported	Unsup. ¹⁰³

Text Printer Support

Vendor & Product Number	Abbreviated Product Description	Type	Hardware Qualification and Support	HP-UX Support
HP C4562C	<i>DeskJet</i> 697C printer	IEEE-1284	Unsupported	Unsup. ¹⁰³
HP C4562E	<i>DeskJet</i> 695Cci	IEEE-1284	Unsupported	Unsup. ¹⁰³
HP C4565A°	<i>DeskJet</i> 870Cse printer	IEEE-1284	Unsupported	Unsup. ¹⁰³
HP C4575A°	<i>DeskJet</i> 855Cse	IEEE-1284	Unsupported	Unsup. ¹⁰³
HP C4576A°	<i>DeskJet</i> 855Cxi	IEEE-1284	Unsupported	Unsup. ¹⁰³
HP C4568A	<i>DeskJet</i> 820Cse	PPA, IEEE-1284	Unsupported	No driver ¹⁰⁶
HP C4582A-F	<i>DeskJet</i> 692C printer	IEEE-1284	Unsupported	Unsup. ¹⁰³
HP C4587A	<i>DeskWriter</i> 694C printer	AppleTalk, QuickDraw	No Interface	No Driver
HP C4589A	<i>DeskJet</i> 693C printer	IEEE-1284	Unsupported	Unsup. ¹⁰³
HP C4591A	<i>DeskJet</i> 690C printer	IEEE-1284	Unsupported	Unsup. ¹⁰³
HP C4608A/B	<i>DeskJet</i> 694C printer	IEEE-1284	Unsupported	Unsup. ¹⁰³
HP C4641A HP C4642A HP C4643A HP C4644A HP C4645A	<i>OfficeJet</i> 500 <i>OfficeJet</i> 520 <i>OfficeJet</i> 570 <i>OfficeJet</i> 580 <i>OfficeJet</i> 590	IEEE-1284	Unsupported	Unsup.
HP C4661A	<i>OfficeJet</i> 330 PCL Printer/FAX/Scanner	IEEE-1284	Unsupported	Unsup.
HP C4662A	<i>OfficeJet</i> 300 PCL Printer/FAX/Scanner	IEEE-1284	Unsupported	Unsup.
HP C4663A	<i>OfficeJet</i> 350 PCL Printer/FAX/Scanner	IEEE-1284	Unsupported	Unsup.
HP C4672°/73A°	HP 5000 Model C40D, 300 dpi, 40ppm	PCL	EPS and K-Class	10.01-10.20
	Parallel interface	IEEE-1284		10.01-10.20
w/J2x9x	<i>JetDirect</i> -EX LAN interface	802.3/5		10.01-10.20
HP C4699A° HP C4700A° HP C4701A° HP C4702A°	<i>DesignJet</i> 350C, 24-inch <i>DesignJet</i> 350C, 36-inch <i>DesignJet</i> 330C, 24-inch <i>DesignJet</i> 330C, 36-inch			
	HP-RTL personality	HP-RTL	All Models	No RTL text driver
	Serial interface	RS232	All Models	
	Parallel i/f	Parallel	All Models	
J238x°/239x	<i>JetDirect</i> Ex Network adaptor	802.3/5	All Models	No RTL text driver
HP C4703A	<i>DesignJet</i> 2000CP	⇒	See Graphics Devices	⇐
HP C4704A	<i>DesignJet</i> 2500CP	⇒	See Graphics Devices	⇐
HP C4705A HP C4706A HP C4708A HP C4709A	<i>DesignJet</i> 700, 24-inch <i>DesignJet</i> 700, 36-inch <i>DesignJet</i> 750C Plus, 24-inch <i>DesignJet</i> 750C Plus, 36-inch			
w/C4707A	PostScript level 2 personality	PS lvl 2	All Models	
	HP-RTL personality	HP-RTL	All Models	No RTL text driver
	Serial interface	RS232	All Models	
	Parallel i/f	Parallel	All Models	
w/J238x°/239x	<i>JetDirect</i> Ex Network adaptor	802.3/5	All Models	

Text Printer Support

Vendor & Product Number	Abbreviated Product Description	Type	Hardware Qualification and Support	HP-UX Support
HP C4713A	<i>DesignJet 430 Monochrome</i>			
HP C4715A	<i>DesignJet 450C Color</i>			
	HP-RTL personality	HP-RTL	All Models	No RTL text driver
	Serial interface	RS232	All Models	
	Parallel i/f	Parallel	All Models	
J238x°/239x	<i>JetDirect Ex Network adaptor</i>	802.3/5	All Models	No RTL text driver
HP C4723A	<i>DesignJet 3000CP</i>		Unsupported as text printer.	No RTL or HP-GL text driver.
HP C4724A	<i>DesignJet 3500CP</i>			
	PostScript personality	Level 3	All Models	
	HP-RTL personality	HP-RTL	Unsupported as text printer.	No RTL text driver
	HP-GL/2 personality	HP-GL/2	Unsupported as text printer.	No HP-GL text driver
	Network Interface	10BaseT	All Models	
	Parallel i/f	IEEE-1284	Unsupported	
HP C5300A° HP C5301A°	OfficeJet 1150C OfficeJet 1150Cse	IEEE-1284	Unsupported	No drivers.
HP C5324A HP C5325A HP C5326A	Printer/Scanner/Copier base unit PSC 370 PSC 380	IEEE-1284	Unsupported	No drivers
HP C5313A HP C5314A HP C5315A HP C5317A	<i>OfficeJet 600</i> <i>OfficeJet 610</i> <i>OfficeJet 630</i> <i>OfficeJet 635</i> Color printer, color copier, color scanner, B&W FAX	IEEE-1284	Unsupported	No drivers
HP C5364A HP C5365A HP C5366A HP C5367A HP C5368A HP C5369A	<i>OfficeJet 1170Cse</i> <i>OfficeJet 1175Cse</i> <i>OfficeJet 1170Cxi</i> <i>OfficeJet 1175Cxi</i> <i>OfficeJet 1170C</i> <i>OfficeJet 1175C</i>	IEEE-1284	Unsupported	No drivers
HP C5620A/B C5630A	HP 5000 D640 Printer PostScript Level 2	PCL-5e PS lvl 2		
	Parallel interface	IEEE-1284		
w/J2x9x	<i>JetDirect-EX LAN interface</i>	802.3/5		
HP C5640B	LPQ 1400 printer			
	HP command lang.	PCL-2	All Models	9.03-10.20
	Parallel interface	Parallel	All Models	9.03-10.20
	Serial interface	RS232	All Models	9.03-10.20
HP J2593/94x	JetDirectEX+3	802.3	All Models	9.03-10.20 ¹⁰⁵
HP C5870/71A	<i>DeskJet 720C/722C printer</i>	IEEE-1284, PPA	Unsupported	Unsup. ¹⁰³
HP C5876A	<i>DeskJet 890C printer</i>	IEEE-1284, PCL-5	Unsupported	Unsup. ¹⁰³
HP C5877A	<i>DeskJet 890Cse printer</i>	IEEE-1284, PCL-5	Unsupported	Unsup. ¹⁰³
HP C5884A/A-F	<i>DeskJet 670C printer</i>	IEEE-1284	Unsupported	Unsup. ¹⁰³
HP C5885A	<i>DeskJet 670K printer</i>	IEEE-1284	Unsupported	Unsup. ¹⁰³

Text Printer Support

Vendor & Product Number	Abbreviated Product Description	Type	Hardware Qualification and Support	HP-UX Support
HP C5886A	<i>DeskJet</i> 672C printer	IEEE-1284	Unsupported	Unsup. ¹⁰³
HP C5887A	<i>DeskJet</i> 870TV printer	IEEE-1284B	Unsupported	Unsup.
HP C5890C	<i>DeskJet</i> 690C	IEEE-1284	Unsupported	Unsup. ¹⁰³
HP C5900A	HP 2000Cse, color inkjet	PCL-3, IEEE-1284	Unsupported	Unsup.
HP C5901A	HP 2000CN, color inkjet	PCL-3, IEEE-1284	Unsupported	Unsup.
HP C5944A	<i>DeskJet</i> 890CM (C5876A DJ890C and J3263A <i>JetDirect</i> 300X bundle)		See C5876A in this section.	
HP C6080A	<i>DesignJet</i> 455CA D/AI-size large format printer	802.3	Unsupported. Intended for Mac connect	Unsup.
HP C6081A	<i>DesignJet</i> 455CA E/AO-size large format printer	802.3	Unsupported. Intended for Mac connect	Unsup.
HP E4157A	Okidata printer			
HP J2340A ^{oo}	<i>JetDirect</i> TCP/IP interface	MIO, 802.3	All Models	8.0-10.10 \bar{V} , w/JetAdmin software
HP J2371A ^o	<i>JetDirect</i> printer interface (10BaseT)	MIO, 802.3	All Models	8.0-10.10, w/JetAdmin software
HP J2372A ^o	<i>JetDirect</i> printer interface (10BaseT, 10Base2)	MIO, 802.3	All Models	8.0-10.10, w/JetAdmin software
HP J2373A ^o	<i>JetDirect</i> printer interface (Token Ring)	MIO, 802.5	All Models	8.0-10.10, w/JetAdmin software
HP J2382B ^o	<i>JetDirect</i> EX printer interface (LAN to parallel)	802.3	All Models	9.05-11.0, w/JetAdmin
HP J2383B ^o	<i>JetDirect</i> EX printer interface (LAN to parallel)	802.5	All Models	9.05-11.0, w/JetAdmin
HP J2550A ^o	<i>JetDirect</i> printer interface (10baseT)	MIO, 802.3	All Models	9.0-10.10, w/JetAdmin
HP J2552A ^o	<i>JetDirect</i> printer interface (10base2, 10BaseT)	MIO, 802.3	All Models	9.0-10.10, w/JetAdmin
HP J2555A ^o	<i>JetDirect</i> printer interface (Token Ring)	MIO, 802.5	All Models	9.0-10.10, w/JetAdmin
HP J2556B	<i>JetDirect</i> 10BaseT/100BaseTX	MIO	All Models	9.05-9.07 \perp 10.01-11.0
HP J2591A	<i>JetDirect</i> EX Plus	802.3, Par.	All Models	9.0-10.10, w/JetAdmin
HP J2592A	<i>JetDirect</i> 150X external print server	802.3, Par.	Unsupported	Unsup.
HP J2593A	<i>JetDirect</i> EX Plus/3	802.3, Par.	All Models	9.0-10.10, w/JetAdmin
HP J2594A	<i>JetDirect</i> EX Plus/3	802.5, Par.	All Models	9.0-10.10, w/JetAdmin
HP J3110A	<i>JetDirect</i> 600N, 10BaseT RJ45	EIO	All Models	9.05-9.07 \perp 10.01-11.0 w/JetAdmin
HP J3111A	<i>JetDirect</i> 600N, 10BaseT RJ45, 10Base2 BNC	EIO	All Models	9.05-9.07 \perp 10.01-11.0 w/JetAdmin
HP J3112A	<i>JetDirect</i> 600N, Token Ring 802.5 RJ45 and DB9	EIO	All Models	9.05-9.07 \perp 10.01-11.0 w/JetAdmin
HP J3113A	<i>JetDirect</i> 600N, 10BaseT and 100BaseTX RJ45	EIO	All Models	9.05-9.07 \perp 10.01-11.0 w/JetAdmin
HP J3263A	<i>JetDirect</i> 300X, 10BaseT and 100BaseTX, one RJ45, one parallel	802.3, 802.3u	All Models	9.05-11.0, w/JetAdmin
HP J4101A	<i>JetDirect</i> 300X Office			
HP 2225A ^o	<i>ThinkJet</i> , 150 cps, 6.5-in.	HP-IB	Unsupported	Unsup.
HP 2225 ^o C/P ^o	<i>ThinkJet</i>	Parallel	Unsupported	Unsup.
HP 2225D ^o	<i>ThinkJet</i>	RS232	Unsupported	Unsup.
HP 2227A ^o	<i>QuietJet Plus</i> , 192 cps, 14-in.	either	Unsupported	Unsup.
HP 2227B ^o	<i>QuietJet Plus</i> , 14-in.	HP-IB	Unsupported	Unsup.
HP 2228A ^o	<i>QuietJet</i> , 8-in.	either	Unsupported	Unsup.

Text Printer Support

Vendor & Product Number	Abbreviated Product Description	Type	Hardware Qualification and Support	HP-UX Support
HP 2235°	<i>RuggedWriter</i> , 480 cps, 14-in.	any	Unsupported	Unsup.
HP 2276A°°	<i>DeskJet</i> , 300 dpi, A-size	either	Unsupported	Formerly supported by [SPI]
HP 2277A°°	<i>DeskJet Plus</i> , 300 dpi, A-size	either	Unsupported	Formerly supported by [SPI]
HP 2278A°°	<i>DeskWriter</i> (QuickDraw)	RS232	Never supported	No driver
HP 2279A°°	<i>DeskWriter Plus</i> , (QuickDraw)	Apple	No interface	No driver
HP 25578120001° HP 25578140001°	TI Model 8920 printer TI Model 8930 printer	RS232	Unsupported	No driver (MPE/iX devices)
HP 256xA°/B°	...series printers	PCL	Unsupported	Unsup.
HP 2562C°	420 lpm impact, 16-in.	PCL	All Models	8.05-10.10
HP 2563C°	420 lpm impact, 16-in.	PCL	All Models	8.05-10.10
HP 2564C°	840 lpm impact, 16-in.	PCL	All Models	8.05-10.10
HP 2565A°°	600 lpm impact, 18-in.	PCL	Never supported	Unsup.
HP 2566C°	1200 lpm impact, 18-in.	PCL	All Models	8.05-10.10
HP 2567C°	1600 lpm impact, 18-in.	PCL	All Models	8.05-10.10
Option 046	CIPER or simple	HP-IB	Unsupported	No HP-IB printer drivers
Option 049	Serial interface	RS232	All Models	8.05-10.10
Option 053	Parallel Interface	Parallel	All Models	8.05-10.10
HP 2603A°°	45 cps daisywheel	RS232	Never supported	Unsup.
HP 2684°°A/D/P	<i>LaserJet</i> /2000	PCL	Unsupported	Unsup.
HP 2686A°°	<i>LaserJet</i> , 8 ppm	any	Never supported	Unsup.
HP 2686D°°	<i>LaserJet</i> 500	any	Never supported	Unsup.
HP 2932A°	200 cps impact	RS232	Unsupported	Unsup.
HP 2933A°°	200 cps "Factory Printer"	any	Never supported	Unsup.
HP 2934A°	200 cps "Office Printer"	any	Unsupported	Unsup.
HP 33439P°°	PostScript Level 1 cartridge for <i>LaserJet</i> -IID, -IIP and -III	Font slot	Formerly supported: All Models	Formerly supported 8.05-10.10 [SPI]
HP 33439Q°	PostScript Level 1 cartridge for <i>LaserJet</i> -IID, -IIP, -III, IIID and IIIP	Font slot	All Models	8.05-10.210 [SPI]
HP 33440A°°	<i>LaserJet</i> -II, 8 ppm single	PCL-3	Per interface	8.0-10.01∇ [SPI]
	Parallel interface	Parallel	Unsupported	Unsup.
	Serial interface	RS232	Unsupported	Unsup.
w/C2071S°	<i>JetDirect</i> 10baseT TCP/IP interface	XIO	Formerly supported	8.0-10.01∇, w/JetAdmin
w/C2071T°	<i>JetDirect</i> 10base2 TCP/IP interface	XIO	Formerly supported	8.0-10.01∇, w/JetAdmin
HP 33447A°°	<i>LaserJet</i> -IID, 8 ppm double	PCL-3	All Models	8.05-10.20∇ [SPI]
	Parallel interface	Parallel	Unsupported	Unsup.
	Serial interface	RS232	Unsupported	Unsup.
w/C2071S°	<i>JetDirect</i> 10baseT TCP/IP interface	XIO	All Models	8.0-10.20, w/JetAdmin
w/C2071T°	<i>JetDirect</i> 10base2 TCP/IP interface	XIO	All Models	8.0-10.20, w/JetAdmin
HP 33449A°°	<i>LaserJet</i> -III, 8 ppm single	PCL-4	All Models	8.05-10.20∇ [SPI]
	Parallel interface	Parallel	Unsupported	Unsup.
	Serial interface	RS232	Unsupported	Unsup.
w/C2071S°	<i>JetDirect</i> 10baseT TCP/IP interface	XIO	All Models	8.0-10.20, w/JetAdmin
w/C2071T°	<i>JetDirect</i> 10base2 TCP/IP interface	XIO	All Models	8.0-10.20, w/JetAdmin

Text Printer Support

Vendor & Product Number	Abbreviated Product Description	Type	Hardware Qualification and Support	HP-UX Support
HP 33459A°	<i>LaserJet-III</i> D, 8 ppm double	PCL-4	All Models	8.05-10.20 [SPI]
	Parallel interface	Parallel	Unsupported	Unsup.
	Serial interface	RS232	Unsupported	Unsup.
w/C2071S°	<i>JetDirect</i> 10baseT TCP/IP interface	XIO	All Models	8.0-10.20, w/JetAdmin
w/C2071T°	<i>JetDirect</i> 10base2 TCP/IP interface	XIO	All Models	8.0-10.20, w/JetAdmin
HP 33471A°	<i>LaserJet-II</i> P, 4 ppm single	PCL-4	All Models	8.05-10.20 ∇ [SPI]
	Parallel interface	Parallel	Unsupported	Unsup.
	Serial interface	RS232	Unsupported	Unsup.
HP 33481A°	<i>LaserJet-II</i> IP, 4 ppm single	PCL-5		8.05-10.20 [SPI]
	Parallel interface	Parallel	Unsupported	Unsup.
	Serial interface	RS232	Unsupported	Unsup.
HP 33491A°	<i>LaserJet-III</i> si, 17 ppm double			
	HP Printer Command Language	PCL-5		8.05-10.20 [SPI]
HP 33494°B/C	Adobe <i>PostScript</i>	Ps	All Models	8.05-10.20 ∇
HP 33494°B/C	PCL/Ps autoswitching	PCL/Ps	All Models	9.0-10.20 ∇
	Parallel interface	Parallel	All Models	8.05-10.20
	Serial interface	RS232	All Models	8.05-10.20
w/C2059T°	<i>JetDirect</i> 10base2/AUI TCP/IP interface	MIO	All Models	8.05-10.20 ∇, w/JetAdmin
w/ J2340A°	<i>JetDirect</i> TCP/IP interface	MIO	All Models	8.05-10.20 ∇, w/JetAdmin
HP 3630A°	<i>PaintJet</i> 180 dpi color graphics	PCL		Formerly Supported: 8.05-10.10 [SPI]
Option 001	Serial interface	RS232	Formerly Supported: All Models	Formerly Supported: 8.05-10.10
Option 002	IEEE-488 interface	HP-IB	Unsupported	No HP-IB printer drivers
Option 004	Parallel interface	Parallel	All Models	Formerly Supported: 8.05-10.10
HP 41063°A/B	Asian Workstation printer	PCL	Formerly Supported: All Models	Formerly Supported: 8.05-10.10 ∇
	Serial interface	RS232	Formerly Supported: All Models	Formerly Supported: 8.05-10.10 ∇
	HP-IB interface	HP-IB	Unsupported	No HP-IB printer drivers
HP 82906A°	160 cps impact	HP-IB	Unsupported	No HP-IB printer drivers
HP 9876A°	480 lpm thermal	HP-IB	Unsupported	No HP-IB printer drivers
HP-Apollo HCD-MMP°	(Genicom) impact	RS232	Never supported	Unsup.
HP-Apollo K1626°	"PTR-2106" PostScript, 6 ppm	RS232	Never supported	Unsup.
HP-Apollo K1627°	"PTR-2115" PostScript, 15 ppm	RS232	Never supported	Unsup.
HP-Apollo K2132°	Tek <i>Phasor</i> Ps	RS232	Never supported	Unsup.
HP-Apollo LP26-SPE°	LP/26 PostScript	ISA	Never supported	No driver
HP-Apollo LP26-S°	LP/26 PostScript	RS232	Never supported	Unsup.
HP-Apollo LP80010°	LP 800 PostScript	Parallel	Never supported	Unsup.

Text Printer Notes:

102. Card may require firmware upgrade for use with JetAdmin or later.

103. There is no HP-UX native equivalent of the DeskJet Status Monitor, which is required to perform key administrative tasks on this printer.

In particular, HP-UX has no way to align the black and CYM cartridges; however, the alignment data is stored in NVRAM in the printer, so it is pos-

- sible to perform the alignment on a PC, then connect the printer to a workstation.
104. Color support requires a patch prior to 10.10.
105. Optimal printer/feature support is provided only via JetAdmin software (JetAdmin) and JetDirect network connection.
106. PPA (Performance Printing Architecture) printers are “Windows-only” printers (host RIP) and non-functional without a driver.

Graphics Devices

In general, the graphics libraries rely on the Starbase device handlers for support. HP-PHIGS, however, cannot link Starbase hardcopy device handlers. Hardcopy from PHIGS applications is limited to native application hardcopy support (if any), the capture(1) command, and the screenpr(1) command.

For monitors (i.e. graphics interfaces and processors), graphics package software support is limited to X-windows unless noted (see footnote table).

For some devices, separate matrix rows document hardware and software support. This is because software support is principally dependent on command set (device personality) and hardware support is dependent on the physical interface.

Software Support Notes

cadplt2 - The *cadplt2* HP-GL/2 device handler emits the correct PCL-5 instruction to place devices in HP-GL/2 mode, but does not place them back in PCL mode upon completion.

pcltrans - Devices supported by *pcltrans* are also supported by *screenpr*. Other than for screen-copies, output to these devices requires generating a Starbase bitmap file, and then translating that file to HP Printer Command Language with the *pcltrans*(1) command. Both mono-

The B1917B SharedPrint product can convert CGM to HPGL/2, and can convert any of the following formats to HP-PCL, PostScript and HP-RTL: Starbase, TIFF, JPEG, LZW, Packbits, GIF, JFIF, XWD and XBM. Devices supported by SharedPrint are noted [SP].

For most devices, this table refers only to the graphics capability. Refer to the Graphics Video, Text Printers and Interfaces tables for information on non-graphics support of these devices. This table addresses only support of graphics capabilities, irrespective of connect method (unless the connect method affects graphics support).

Printers which are not supported as text devices (e.g. most Apple-specific models) are also not supported for

graphics, and to conserve space, are not listed here. See the Text Printers section to confirm lack of support.

HP PA-RISC Workstation HP-UX supports networked (JetDirect), RS-232C and Centronics parallel serial printers and plotters. LAN support requires JetAdmin JetDirect Print Manager (See Glossary) Read-back from ECP, EPP and IEEE-1284 devices is not yet supported. The simple HP-IB driver provided for C16xx-series plotters has not been tested with printers. No HP-IB CIPER driver exists for PA-RISC Workstations.

chrome and color printing are supported. A *Gescape* is required to create a Starbase bitmap file from HP-GKS.

screenpr - Output to devices is limited to capturing a copy of an image appearing on the video screen. Resolution is therefore limited by the CRT. The *screenpr*(1) command line may also appear in the hardcopy output unless clipping options are specified. Both monochrome and color printing are supported.

Untested - This notation indicates that the Starbase handler for some devices is present in PA-RISC Workstation HP-UX, but has not been tested and the device is not considered supported. In the case of PCL raster printers, neither *pcltrans* (GKS and Starbase) nor *screenpr* have been tested with this device on PA-RISC Workstation HP-UX.

Graphics Device Support

Vendor & Product Number	Abbreviated Product Description	Type	Hardware Qualification and Support	Software Subsystem Support
HP A1439A	CRX-24 video interface	SGC	See Graphics Video section	PHIGS 2.2, Starbase 8.07-10.10, X-11 8.07-10.01
HP A1454A	CRX-24Z daughter board	CRX24	See Graphics Video section	PHIGS 2.2, Starbase 8.07-10.10, X-11 8.07-10.10
HP A1471A ¹⁰⁷	Personal VRX interface	SGC	See Graphics Video section	PHIGS 2.1, Starbase 8.05-10.10, X-11 8.05-10.10
HP A1472A ¹⁰⁷	Turbo VRX interface	SGC	See Graphics Video section	PHIGS 2.1, Starbase 8.05-10.10, X-11 8.05-10.10
HP A1659A	CRX 1280x1024x8, 72 Hz color interface	SGC	See Graphics Video section	PHIGS 2.11, Starbase 8.05-10.10, X-11 8.05-10.10

Graphics Device Support

Vendor & Product Number	Abbreviated Product Description	Type	Hardware Qualification and Support	Software Subsystem Support
HP A1924A ¹⁰⁷	GRX 1280¥1024, 72 Hz monochrome interface	SGC	See Graphics Video section	PHIGS 2.11, Starbase 8.05-10.10, X-11 8.05-10.10
HP A2091A	CRX-48Z processor, 1280¥1024¥48, 72 Hz	SGC-ext	See Graphics Video section	
HP A2262A	Dual CRX Graphics	SGC	See Graphics Video section	
HP A2269A°	Dual CRX Upgrade	+1 SGC	See Graphics Video section	PHIGS 2.2, Starbase 8.07-10.10, X-11 8.07-10.10
	Dual to quad CRX Upgrade	+1 SGC	See Graphics Video section	PHIGS 2.2, Starbase 8.07-10.10, X-11 8.07-10.10
HP A2270A	CRX-24 to Dual CRX-24 Upgrade	SGC	See Graphics Video section	PHIGS 2.2, Starbase 8.07-10.10, X-11 8.07-10.10
	or CRX-->CRX-24 Upgrade	SGC	See Graphics Video section	PHIGS 2.2, Starbase 8.07-10.10, X-11 8.07-10.10
HP A2271A	CRX to CRX-24 Upgrade	SGC	See Graphics Video section	PHIGS 2.2, Starbase 8.07-10.10, X-11 8.07-10.10
HP A2272A	PVRX to CRX--> Upgrade	SGC	See Graphics Video section	PHIGS 2.2, Starbase 8.07-10.10, X-11 8.07-10.10
HP A2666A	CRX-24Z to CRX-48Z Upgrade	SGC	See Graphics Video section	9.0-10.10
HP A2667A	PVRX to CRX-48Z Upgrade	SGC	See Graphics Video section	Starbase 9.05-10.10 X-11 9.0-10.10
HP A2673A	CRX-24, interface only	SGC	See Graphics Video section	Starbase 9.05-10.10 X-11 9.0-10.10
HP A2674A	CRX-24Z upgrade	SGC	See Graphics Video section	Starbase 9.05-10.10 X-11 9.0-10.10
HP A2675A	CRX-48Z, interface only	SGC	See Graphics Video section	Starbase 9.05-10.10, X-11 9.0-10.10
HP A2838A°	3-button Mouse	HP-HIL	All HP-HIL Models	8.05-10.10
HP A2839A°/B	3-button Mouse	PS/2	All PS/2 Models	9.03-10.20
HP A2839C	3-button Mouse, quartz	PS/2	All PS/2 Models	9.03-10.20
HP A2878A	Second 712 video	GIO	See Graphics Video section	9.03-10.20
HP A4025A	Hi-res graphics upgrade	VRAM	See Graphics Video section	9.03-10.20
HP A4070A°	HyperCRX8 graphics adaptor	GSC	See Graphics Video section	
HP A4070B	HyperCRX8 graphics adaptor	GSC	See Graphics Video section	
HP A4071A°	HyperCRX24 graphics adaptor	GSC	See Graphics Video section	
HP A4071B	HyperCRX24 graphics adaptor	GSC	See Graphics Video section	
HP A4072A	HCRX 3D Accelerator	Daughter	See Graphics Video section	
HP A4073A°	HyperCRX48Z graphics adaptor	GSC	See Graphics Video section	
HP A4073B	HyperCRX48Z graphics adaptor	GSC	See Graphics Video section	
HP A4077A	CR 2D color video	GSC	See Graphics Video section	
HP A4077B	CR 2D color video	GSC	See Graphics Video section	
HP A4078A	Dual CR video	GSC	See Graphics Video section	
HP A4079A°	HCRX-8Z	GSC	See Graphics Video section	
HP A4079B	HCRX-8Z (A4070B plus A4072A bundle)	GSC	See Graphics Video section	
HP A4126A°	VRAM & 17-in. CRT	712	Model 712/100	
HP A4211A	HP VISUALIZE-48	GSC	See Graphics Video section	
HP A4217A	Dual head, dual LAN	GIO+ TSIO	See Graphics Video section	9.03
HP A4220A°/B	PS/2 (host) to HP-HIL (keyboard only) adaptor	PS/2	Model 712	
HP A4244A	HP VISUALIZE-48 (formerly HCRX-48Z)	GSC	See Graphics Video section	
HP A4245A	Texture Memory for VISUALIZE-48	Daughter	See Graphics Video section	

Graphics Device Support

Vendor & Product Number	Abbreviated Product Description	Type	Hardware Qualification and Support	Software Subsystem Support
HP A4246A	HP VISUALIZE-48XP	2xGSC, EVC	See Graphics Video section	
HP A4244A	HP VISUALIZE-48 (formerly HCRX-48Z)	GSC	See Graphics Video section	
HP A4247A	48XP Texture Memory	Daughter	See Graphics Video section	
HP A4248A	Video export card	GSC daughter	See Graphics Video section	
HP A4253A	Freedom S3150 graphics accelerator	GSC	See Graphics Video section	9.05
HP A4254A	Freedom S3250 graphics accelerator	GSC	See Graphics Video section	9.05
HP A4255A	Freedom S3400 graphics accelerator	GSC	See Graphics Video section	9.05
HP A4267A	8-plane graphics video	GSC-M	Model 743 w/A4262A	9.05
HP A4315A	HCRX-8VME	Large GSC-M	See Graphics Video section	
HP A4316A	HCRX-24VME	Large GSC-M	See Graphics Video section	
HP A4333A	HP VISUALIZE-IVX	GSC daughter	See Graphics Video section	
HP A4360A°	SpaceBall 2003 3D XYZ		See the Human Interface Devices section	
HP A4361A°	SpaceBall 3003 3D XYZ		See the Human Interface Devices section	
HP A4361C	SpaceBall 3003FLX		See the Human Interface Devices section	
HP A4362A	8-Dial Box		See the Human Interface Devices section	
HP A4363A	32-Button Box		See the Human Interface Devices section	
HP A4364A	12"¥12" Tablet		See the Human Interface Devices section	
HP A4365A	12"¥18" Tablet		See the Human Interface Devices section	
HP A4441A	HP VISUALIZE-8 (aka HCRX-8Z, A4070B+A4242A)	GSC	See Graphics Video section	
HP A4442A	HP VISUALIZE-24 (aka HCRX-24Z, A4071B + A4242A)	GSC	See Graphics Video section	
HP A4443A	Upgrade HCRX-8Z/24Z to VISUALIZE-8/24	GSC	See Graphics Video section	
HP A4450A	HP VISUALIZE-EG	GSC, EVC	See Graphics Video section	
HP A4451A	HP Dual VISUALIZE-EG	GSC, EVC	See Graphics Video section	
HP A4452A	2MB Add-on EG Memory	Daughter	See Graphics Video section	
HP A4455A	HP VISUALIZE-48XP	HSC Large, EVC	See Graphics Video section	
HP A4552A	HP VISUALIZE-FX2, EVC	PCI-64	See Graphics Video section	
HP A4553A	HP VISUALIZE-FX4, EVC	PCI-64	See Graphics Video section	
HP A4554A	HP VISUALIZE-FX6, EVC	PCI-64	See Graphics Video section	
HP A4559A	Texture Map Accelerator for VISUALIZE-FX4	Daughter	See Graphics Video section	
HP A4560A	Texture Map Accelerator for VISUALIZE-FX6	Daughter	See Graphics Video section	

Graphics Device Support

Vendor & Product Number	Abbreviated Product Description	Type	Hardware Qualification and Support	Software Subsystem Support
HP A4959A	HP SpaceBall 2003FLX		See the Human Interface Devices section	
HP A4977A	VISUALIZE-EG/PCI	PCI-32, Univ	See Graphics Video section	
HP C1120A ¹⁰⁷	<i>ScanJet 4s</i> , mechanism	RS232	Unsupported	No software
HP C1127A	<i>ScanJet 4s</i> , PC	RS232	Unsupported	No software
HP C1129A	<i>ScanJet 4s</i> , Mac	RS232	Unsupported	No software
HP C1135A	<i>ScanJet Office</i> (4p, w/ADF and ISA card)	mcSCSI	Under Investigation	
HP C1137A	<i>ScanJet 4p</i> (w/ISA card)	mcSCSI	All Models ¹¹⁴ . ISA card not used.	9.07 ⊥ 10.01-11.0 ¹¹⁴
HP C1138A	<i>ScanJet 4p</i> (w/MCA card)	mcSCSI	All Models ¹¹⁴ . MCA card not used.	9.07 ⊥ 10.01-11.0 ¹¹⁴
HP C1139A	<i>ScanJet 4p</i> (w/Mac software)	mcSCSI	All Models ¹¹⁴ . Mac s/w not used.	9.07 ⊥ 10.01-11.0 ¹¹⁴
HP C1200A°	Asian System Printer	RS232, APCL	All Models	
HP C1202A	Asian Serial Printer	APCL	All Models	
Option 1AA	Parallel interface	Parallel	All Models	
Option 1A8	IEEE-488 interface	HP-IB		
Option 1A9	Serial interface	RS232	All Models	
HP C1205A	Asian System Printer	RS232, APCL	All Models	
HP C1302A°	<i>ScanJet 4si</i> , Ethernet, RJ45	802.3	Unsupported	Unsupported (no GUI)
HP C1302A°	<i>ScanJet 4si</i> , Token Ring, DB9, RJ45	802.5	Unsupported	Unsupported (no GUI)
HP C1307A	Network <i>ScanJet 5</i> 10BaseT	802.3, RJ45	Unsupported	Unsupported (no GUI)
HP C1308A	Network <i>ScanJet 5</i> TokenRing	802.5, DB9	Unsupported	Unsupported (no GUI)
HP C1309A	Network <i>ScanJet 5</i> 100VG	802.12, RJ45	Unsupported	Unsupported (no GUI)
HP C1310A	Network <i>ScanJet 5</i> 100BaseT	802.3u, RJ45	Unsupported	Unsupported (no GUI)
HP C1600A°°	7600 Model 240D plotter	HP-GL/2	Unsupported	Unsupported
HP C1601A°°	7600 Model 240E plotter	HP-GL/2	Unsupported	Unsupported
HP C1602A°°	<i>PaintJet XL</i> , A/A4,B/A3-size color inkjet	PCL	Per interface	<i>pcltrans</i> 8.05, <i>screenpr</i> 8.05
Option 1AX	Serial/parallel interface	Parallel	All Models	<i>pcltrans</i> 8.05, <i>screenpr</i> 8.05
Option 1AX	Serial/parallel interface	RS232	All Models	<i>pcltrans</i> 8.05, <i>screenpr</i> 8.05
Option 1A8	IEEE-488/serial interface	HP-IB	Unsupported	Unsupported
w/C1608A	HP-GL/2 cartridge	HP-GL/2	Per interface	<i>cadplt2</i> 8.05
HP C1620A°	Series 7600 Model 355, E-size color electrostatic plotter/printer	HP-GL/2	Per interface	Starbase 8.05
	IEEE-488 Interface	HP-IB	Unsupported	
	Serial Interface	RS232	All Models	Starbase 8.05
	Parallel Interface	Parallel	All Models	Starbase 8.05
HP C1625A°,HP C1629A°	Series 7600 Model 250, D-size monochrome electrostatic plotter/printer	HP-GL/2	Per interface	Starbase 8.05 [SP]
	IEEE-488 Interface	HP-IB	Unsupported	Starbase 8.05
	Serial Interface	RS232	All Models	Starbase 8.05
	Parallel Interface	Parallel	All Models	Starbase 8.05

Graphics Device Support

Vendor & Product Number	Abbreviated Product Description	Type	Hardware Qualification and Support	Software Subsystem Support
HP C1627A ^{oo} , HP C1631A ^{oo}	Series 7600 Model 255, E-size monochrome electrostatic plotter/printer	HP-GL/2	Per interface	Starbase 8.05 [SP]
	IEEE-488 Interface	HP-IB	Unsupported	Starbase 8.05
	Serial Interface	RS232	All Models	Starbase 8.05
	Parallel Interface	Parallel	All Models	Starbase 8.05
HP C1633 ^{oo} A/B	<i>DesignJet</i> inkjet plotter			
	Vector language	HP-GL/2	All Models	Starbase, [SP]
	Raster language	HP-RTL	All Models	8.07
	Serial Interface	RS232	All Models	
	Parallel Interface	Parallel	All Models	
w/C1642A ^o	HP-IB Interface	MIO		
w/C2059T ^{oo}	<i>JetDirect</i> TCP/IP interface	MIO		
HP C1645A ^o	<i>PaintJet</i> XL300 color inkjet printer			
	Vector language	HP-GL/2	All Models	8.07 [SP]
	Raster language	PCL or HP-RTL	All Models	SharedPrint 8.07
w/C1651A ^o	PostScript	Font	All Models	SharedPrint 9.0
w/C1656A ^o	<i>PaintJet</i> XL300/PS, w/PostScript	Any	All Models	8.07 [SP]
HP C1676A ^o	<i>DeskJet</i> 1200C	Any	All Models	9.05 [SP]
	HP-PCL	PCL-5c	All Models	9.05
W/C2865A ^o	PostScript	PS-2	All Models	9.05
HP C1686A ^o	<i>DeskJet</i> 1200C/PS	Any	All Models	9.05-10.01 [SP]
	HP-PCL	PCL-5c	All Models	9.05
	PostScript	PS-2	All Models	9.05
HP C1742A	<i>LaserJet</i> FAX	Any	Unsupported	No software
HP C1750A ^o , HP C1757A ^o	<i>ScanJet</i> -IIC color scanner (see also C1788BA ^o)	nsSCSI ¹⁰⁸	All Models ^{109,114} Early IIC scanners require dedicated SCSI bus.	9.05-9.07 ⊥ 10.01-11.0 ^{110,114}
HP C1788A ^o	<i>ScanJet</i> -IIC color scanner	nsSCSI ¹⁰⁸	All Models ¹¹⁴ Early IIC scanners require dedicated SCSI bus.	9.05-9.07 ⊥ 10.01-11.0 ^{110,114}
HP C1788BA ^o	MPOWER <i>ScanJet</i> IICx or 3c color scanner	nsSCSI ¹⁰⁸	All Models ¹¹⁴	9.05-9.07 ⊥ 10.01-11.0 ^{110,114}
HP C1790A ^o	<i>ScanJet</i> -IIP scanner, w/ ISA card	mcSCSI	Requires dedicated SCSI bus. ¹¹⁴	9.07 ⊥ 10.01-11.0 ¹¹⁴
HP C1797A/B	<i>ScanJet</i> -IIP scanner w/ISA card	mcSCSI	Requires dedicated SCSI bus. ¹¹⁴	9.07 ⊥ 10.01-11.0 ¹¹⁴
HP C1799A/B	<i>ScanJet</i> -IIP scanner for Macintosh	mcSCSI	Requires dedicated SCSI bus. ¹¹⁴	9.07 ⊥ 10.01-11.0 ¹¹⁴
HP C2001A ^o	<i>LaserJet</i> 4	PCL-5	See Text Printers section.	
w/C2080A ^o	PostScript SIMM	Ps2	See Text Printers section.	
HP C2003A ^o	<i>LaserJet</i> 4L	PCL-5	See Text Printers section.	
HP C2005A ^o	<i>LaserJet</i> 4P	PCL-5	See Text Printers section.	
w/C2049A ^o	<i>PostScript</i> Level 2	Ps2	See Text Printers section.	
HP C2007A ^o	<i>LaserJet</i> -IIP Plus, 4 ppm single	PCL-4	All Models	<i>pcltrans</i> 8.05, <i>screenpr</i> 8.05, Shared-Print 9.0
w/C2088A ^o	PCL-5 ctg.	Font slot	All Models	<i>cadplt</i> 28.05, <i>pcltrans</i> 8.05, <i>screenpr</i> 8.05, SharedPrint 8.05

Graphics Device Support

Vendor & Product Number	Abbreviated Product Description	Type	Hardware Qualification and Support	Software Subsystem Support
HP C2010A°	<i>LaserJet-4si</i> , 17 ppm		Per interface	
	HP Printer Command Language	PCL-5	All Models	<i>cadplt2</i> 8.07, <i>pcltrans</i> 8.07, <i>screenpr</i> 8.07, SharedPrint 8.07
	HP-GL/2	HP-GL/2	All Models	<i>cadplt2</i> 8.07, <i>screenpr</i> 8.07
w/C2013A°	<i>PostScript</i> Level 2	Ps2	All Models	SharedPrint 9.0
HP C2011A°	<i>LaserJet-4si</i> MX, 17 ppm			
	HP Printer Command Language	PCL-5	All Models	<i>cadplt2</i> 8.07, <i>pcltrans</i> 8.07, <i>screenpr</i> 8.07, SharedPrint 8.07
	HP-GL/2	HP-GL/2	All Models	<i>cadplt2</i> 8.07, <i>screenpr</i> 8.07
	<i>PostScript</i> Level 2	Ps2	All Models	SharedPrint 9.0
HP C2015A°	<i>LaserJet</i> 4ML		See Text Printers section	
	PostScript lvl 2	Ps2		
	HP-PCL-5	PCL-5		
HP C2021A°	<i>LaserJet</i> 4/M		See Text Printers section	
	PostScript lvl 2	Ps2		
	HP-PCL-5	PCL-5		
HP C2037A°	<i>LaserJet</i> 4 Plus	PCL-5	See Text Printers section	
w/C2080A°	PostScript SIMM	Ps2		
HP C2039A°	<i>LaserJet</i> 4M Plus		See Text Printers section	
	HP-PCL	PCL-5		
	PostScript	Ps2		
HP C2089A°	<i>PostScript</i> Level 2 ctg. for <i>LaserJet</i> -III, IIID & IIIP	Font slot	All Models	SharedPrint 8.05
HP C2106A°	<i>DeskJet</i> 500, 300 dpi A-size	RS232	All Models	<i>pcltrans</i> 8.05, <i>screenpr</i> 8.05
	Parallel i/f	Parallel	All Models	As above.
HP C2114A°	<i>DeskJet</i> 500C, 300 dpi color	PCL-3	All Models	<i>pcltrans</i> 8.07, <i>screenpr</i> 8.07, Shared-Print 8.07
HP C2121A°	<i>DeskJet</i> 550C, 300 dpi color	PCL-3	All Models	<i>pcltrans</i> 8.07, <i>screenpr</i> 8.07, Shared-Print 8.07
HP C2145A°	<i>DeskJet</i> 850C	PCL	Unsupported	Unsup.
HP C2170A°	<i>DeskJet</i> 520, 300 dpi black	PCL-3		
	X-Terminals			
HP C2301°A/B	Base unit	802.3, X-11	All Models	Starbase 8.05-8.07 X-11 8.05-8.07
HP C2302A°	Monochrome, 17-in.	802.3, X-11	All Models	Starbase 8.05-8.07, X-11 8.05-8.07
HP C2303°A/B	VGA color, 14-in.	802.3, X-11	All Models	Starbase 8.05-8.07, X-11 8.05-8.07
HP C2304°A/B	Hi-res color, 16-in.	802.3, X-11	All Models	Starbase 8.05-8.07 X-11 8.05-8.07
HP C2305°A/B	Gray Scale, 19-in.	802.3, X-11	All Models	Starbase 8.05-8.07, X-11 8.05-8.07
HP C2307B°	Color, Japan, 19-in.	802.3, X-11	All Models	Starbase 8.05-8.07, X-11 8.05-8.07
HP C2354A°	840 lpm dot-matrix impact printer	PCL	Per Interface	
HP C2356A°	1100 lpm dot-matrix impact printer	PCL	Per Interface	
HP C2500A° ¹⁰⁷ HP C2500B° ¹⁰⁷	<i>ScanJet</i> -IIcx scanner, mech.	mcSCSI	All Models ¹¹⁴	9.01-9.07 ⊥ 10.01-11.0 ^{110,114}
HP C2505B	<i>ScanJet</i> -4c scanner, w/NEC i/f	mcSCSI	All Models ¹¹⁴ (NEC card not used)	9.05-9.07 ⊥ 10.01-11.0 ^{110,114}
HP C2507°A/B	<i>ScanJet</i> -IIcx scanner, w/ISA card	mcSCSI	All Models ¹¹⁴ (ISA card not used)	9.01-9.07 ⊥ 10.01-11.0 ^{110,114}

Graphics Device Support

Vendor & Product Number	Abbreviated Product Description	Type	Hardware Qualification and Support	Software Subsystem Support
HP C2514B/D	<i>ScanJet-4c</i> scanner, w/ISA card.	mcSCSI	All Models ¹¹⁴ (ISA card not used)	9.05-9.07 ⊥ 10.01-11.0 ^{110,114}
HP C2516B	<i>ScanJet-4c</i> scanner, w/Mac cable	mcSCSI	All Models ¹¹⁴	9.05-9.07 ⊥ 10.01-11.0 ^{110,114}
HP C2520A ¹⁰⁷	<i>ScanJet-3c</i> scanner, mechanism	mcSCSI	All Models ¹¹⁴	9.01-9.07 ⊥ 10.01-11.0 ^{110,114}
HP C2520B ¹⁰⁷	<i>ScanJet-4c</i> scanner, mechanism	mcSCSI	All Models ¹¹⁴	9.05-9.07 ⊥ 10.01-11.0 ^{110,114}
HP C2520C ¹⁰⁷	<i>ScanJet-4c</i> scanner, mechanism	mcSCSI	All Models ¹¹⁴	9.05-9.07 ⊥ 10.01-11.0 ^{110,114}
HP C2527A°	<i>ScanJet-3c</i> scanner, w/ISA card (if already owned - otherwise order C1788BA°)	mcSCSI	All Models ¹¹⁴ (ISA card not used)	9.01-9.07 ⊥ 10.01-11.0 ^{110,114}
HP C2527B/C	<i>ScanJet-4c</i> scanner, w/ISA card.	mcSCSI	All Models ¹¹⁴ (ISA card not used)	9.05-9.07 ⊥ 10.01-11.0 ^{110,114}
HP C2527D	<i>ScanJet-4Cse</i> scanner, w/ISA card.	mcSCSI	All Models ¹¹⁴ (ISA card not used)	9.05-9.07 ⊥ 10.01-11.0 ^{110,114}
HP C2528A°	<i>ScanJet-3c</i> scanner, w/MCA card (if already owned - otherwise order C1788BA°)	mcSCSI	All Models ¹¹⁴ (MCA card not used)	9.01-9.07 ⊥ 10.01-11.0 ^{110,114}
HP C2528B	<i>ScanJet-4c</i> scanner, w/MCA card	mcSCSI	All Models ¹¹⁴ (MCA card not used)	9.05-9.07 ⊥ 10.01-11.0 ^{110,114}
HP C2529A°	<i>ScanJet-3c</i> scanner, w/Mac cable (if already owned - otherwise order C1788BA°)	mcSCSI	All Models ¹¹⁴	9.01-9.07 ⊥ 10.01-11.0 ^{110,114}
HP C2529B	<i>ScanJet-4c</i> scanner, w/Mac cable	mcSCSI	All Models ¹¹⁴	9.05-9.07 ⊥ 10.01-11.0 ^{110,114}
HP C2572A°/HP C2777A°	<i>ScanJet-3p</i> scanner, w/ISA card	mcSCSI	All Models ¹¹⁴ (ISA card not used)	9.07 ⊥ 10.01-11.0 ^{110,114}
	700/RX Family X-Terminals			
HP C2701A°°/B°	<i>Mi</i> base unit, mono.	X-11	All Models	Starbase 8.05, X-11 8.05
HP C2702A°°/B°	19 <i>Mi</i> X-station, mono.	X-11	All Models	Starbase 8.05, X-11 8.05
HP C2704A°	<i>Ci</i> base unit, color	X-11	All Models	Starbase 8.05, X-11 8.05
HP C2705A°	14 <i>Ci</i> X-station, color	X-11	All Models	Starbase 8.05, X-11 8.05
HP C2706A°°	16 <i>Ci</i> X-station, color	X-11	All Models	Starbase 8.05, X-11 8.05
HP C2709A°	<i>Ca</i> base unit, color	X-11	All Models	Starbase 8.05, X-11 8.05
HP C2711A°°	19 <i>Ca</i> X-station, color	X-11	All Models	Starbase 8.05, X-11 8.05
HP C2730A°	<i>Envizex i</i> base X-Station	802.3	All Models	
HP C2731A°	<i>Envizex a</i> base X-Station	802.3	All Models	
HP C2847A°	<i>DesignJet</i> 600, D-size, monochrome		All Models	
	Vector language	HP-GL/2	All Models	
	Raster language	HP-RTL	All Models	
	Parallel interface	Parallel	All Models	
	Serial interface	RS232	All Models	
w/C2059T°°	<i>JetDirect</i> TCP/IP interface	MIO	All Models	
w/ J2340A°°	<i>JetDirect</i> TCP/IP interface	MIO	All Models	
HP C2847A°	<i>DesignJet</i> 600, D-size, monochrome		All Models	
	Vector language	HP-GL/2	All Models	
	Raster language	HP-RTL	All Models	
	Parallel interface	Parallel	All Models	
	Serial interface	RS232	All Models	
w/J255xA	<i>JetDirect</i> TCP/IP interface	MIO	All Models	

Graphics Device Support

Vendor & Product Number	Abbreviated Product Description	Type	Hardware Qualification and Support	Software Subsystem Support
HP C2848A°	<i>DesignJet</i> 600, E-size, monochrome		All Models	
	Vector language	HP-GL/2	All Models	
	Raster language	HP-RTL	All Models	
	Parallel interface	Parallel	All Models	
	Serial interface	RS232	All Models	
w/J255xA	<i>JetDirect</i> TCP/IP interface	MIO	All Models	
HP C2858A°/B	<i>DesignJet</i> 650C, D-size, color		All Models	SharedPrint
	Vector language	HP-GL/2	All Models	
	Raster language	HP-RTL	All Models	
w/C2882A	PostScript lang. for C2858A	Ps2	All Models	
w/C3545A	PostScript lang. for C2858B	Ps2	All Models	
	Parallel interface	Parallel	All Models	
	Serial interface	RS232	All Models	
	<i>JetDirect</i> TCP/IP interface	MIO	All Models	
HP C2859A°/B	<i>DesignJet</i> 650C, E-size, color		All Models	SharedPrint
	Vector language	HP-GL/2	All Models	
	Raster language	HP-RTL	All Models	
w/C2882A	PostScript lang. for C2858A	Ps2	All Models	
w/C3545A	PostScript lang. for C2858B	Ps2	All Models	
	Parallel interface	Parallel	All Models	
	Serial interface	RS232	All Models	
	<i>JetDirect</i> TCP/IP interface	MIO	All Models	
HP C3079A	<i>LaserJet Companion</i>	IEEE-1284	Unsupported	No drivers
HP C3091A	<i>LaserJet</i> 6P/EX, printer & <i>JetDirect</i> EX bundle	802.3	All Models	10.20
HP C3100A°	<i>Color LaserJet</i> A/B-size	PCL-5	All Models	9.01-10.20. ISPI Requires patch prior to 9.07
w/C3112A	PostScript Level 2	SIMM	All Models	9.05-10.20
	Parallel port	Parallel	All Models	9.05-10.20
w/J255xA	<i>JetDirect</i> TCP/IP interface	MIO	All Models	9.05-10.20
HP C3141A	<i>LaserJet</i> 4V A/B-size	PCL-5	All Models	10.01-10.20
w/C3159A	PostScript Level 2	SIMM	All Models	10.01-10.20
	Parallel port	Parallel	All Models	10.01-10.20
w/J255xA	<i>JetDirect</i> TCP/IP interface	MIO	All Models	10.01-10.20
HP C3142A	<i>LaserJet</i> 4MV A/B-size	PCL-5	All Models	10.01-10.20
	PostScript Level 2	Ps2	All Models	10.01-10.20
	Parallel port	Parallel	All Models	10.01-10.20
	<i>JetDirect</i> TCP/IP interface	802.3	All Models	10.01-10.20
HP C3150A°	<i>LaserJet</i> 5P, 600 dpi, 6ppm	PCL5e	See Text Printers section	
HP C3170A	<i>DraftPro</i> pen plotter, D-size	HP-GL/2	Per Interface	
	Serial interface	RS232		
	Parallel interface	Parallel		

Graphics Device Support

Vendor & Product Number	Abbreviated Product Description	Type	Hardware Qualification and Support	Software Subsystem Support	
HP C3171A	<i>DraftPro</i> pen plotter, E-size	HP-GL/2	Per Interface		
	Serial interface	RS232			
	Parallel interface	Parallel			
HP C3180A°	<i>DesignJet</i> 200 (A1/D)	HP-GL/2, HP-RTL	All Models	SharedPrint	
	Serial interface	RS232			
	Parallel interface	Parallel			
HP C3181A°	<i>DesignJet</i> 200 (A0/E)	HP-GL/2, HP-RTL	All Models	SharedPrint	
	Serial interface	RS232			
	Parallel interface	Parallel			
HP C3187A	<i>DesignJet</i> 220 inkjet plotter, 600 dpi, D-size	HP-GL/2, HP-RTL	All Models	SharedPrint	
	Serial interface	RS232	Not functional	N/A	
	Parallel interface	Parallel	Via J238x/9x	N/A	
J238x/9x	JetDirect EX network adaptor	802.3/5	All Models	9.03-9.07 ⊥ 10.01-10.20 w/JetAdmin software	
HP C3188A	<i>DesignJet</i> 220 inkjet plotter, 600 dpi, E-size	HP-GL/2, HP-RTL	All Models	SharedPrint	
	Serial interface	RS232	Not functional	N/A	
	Parallel interface	Parallel	Via J238x/9x	N/A	
J238x/9x	JetDirect EX network adaptor	802.3/5	All Models	9.03-9.07 ⊥ 10.01-10.20 w/JetAdmin software	
HP C3190A	<i>DesignJet</i> 250C inkjet plotter, 600 dpi, D-size	HP-GL/2, HP-RTL	All Models	9.05-10.01	
	Serial interface	RS232			
	Parallel interface	Parallel			
J238x°/9xA	Network i/f	802.3	All Models	9.05-10.10, w/JetAdminJetAdmin	
HP C3191A	<i>DesignJet</i> 230 inkjet plotter, 600 dpi, E-size	HP-GL/2, HP-RTL	All Models	9.05-10.10	
	w/C3199A	PostScript	Ps2	All Models	9.05-10.10
	Serial interface	RS232			
J238x°/9xA	Parallel i/f	Parallel			
	Network i/f	802.3	All Models	9.05-10.10, w/JetAdmin	
HP C3195A° HP C3196A°	<i>DesignJet</i> 750C inkjet plotter, 600 dpi, A0/E-size	HP-GL/2, HP-RTL	All Models	9.05-10.10	
	w/C3199A	PostScript	Ps2	All Models	9.05-10.10
	Serial interface	RS232			
J238x°/9xA	Parallel i/f	Parallel			
	Network i/f	802.3	All Models	9.05-10.10, w/JetAdmin	

Graphics Device Support

Vendor & Product Number	Abbreviated Product Description	Type	Hardware Qualification and Support	Software Subsystem Support
HP C3198A°/B	<i>DesignJet</i> 755CM inkjet printer, 300 dpi, AO/E-size, HP-GL/2, HP-RTL, PostScript level	HP-PCL, HP-RTL	All Models	9.05-10.10
	PostScript	Ps2	All Models	9.05-10.10
	Serial interface	RS232		
	Parallel i/f	Parallel		
	Network i/f	802.3	All Models	9.05-10.10, w/JetAdmin
HP C3226A°°	19 Cs X-station, color	X-11	All Models	Starbase 8.07, X-11 8.07
HP C3230A°	<i>Entria</i> base X-Station, color	802.3	All Models	
HP C3231A°	<i>Entria</i> base X-Station, mono	802.3	All Models	
HP C3232A°	<i>Entria</i> base X-Station, color, 1280¥1024	802.3	All Models	
HP C3233A°°	<i>Entria</i> X-Station, mono, 1280¥1024, 14-inch.	802.3	All Models	
HP C3234A°	<i>Entria</i> base X-Station, color, 1280¥1024	802.3	All Models	
HP C3235A°	<i>Entria</i> base X-Station, color	802.3	All Models	
HP C3253A	<i>Envizex p</i> base X-Station	802.3	All Models	
HP C3540A	<i>DeskJet</i> 1600C, 300 dpi color		All Models	10.01-10.20
	HP-PCL	PCL-5c	All Models	10.01-10.20
w/C2865A°	PostScript	Ps-2	All Models	10.01-10.20
	Parallel i/f	Parallel	All Models	10.01-10.20
w/J255xA	JetDirect i/f	MIO	All Models	10.01-10.20
HP C3540J/N	<i>DeskJet</i> 1600CN, 300 dpi color			10.01-10.20
	HP-PCL	PCL-5c	All Models	10.01-10.20
	PostScript	Ps-2	All Models	10.01-10.20
	Parallel i/f	Parallel	All Models	10.01-10.20
	JetDirect i/f	MIO	All Models	10.01-10.20
HP C3541A	<i>DeskJet</i> 1600CM, 300 dpi color		Per Interface	9.05-9.07_10.01-10.20
	HP-PCL	PCL-5c	All Models	9.05-9.07_10.01-10.20
w/C2865A°	PostScript	Ps-2	All Models	9.05-9.07_10.01-10.20
	Parallel i/f	Parallel	All Models	9.05-9.07_10.01-10.20
	JetDirect i/f	MIO	All Models	9.05-9.07_10.01-10.20
HP C3791A HP C3792A	<i>DesignJet</i> 650C/PS ('91: 24-in.) ('92: 36-in.)		All Models	SharedPrint
	HP-RTL personality	RTL	All Models	
	<i>PostScript</i> pers.	PS-2	All Models	
	Serial interface	RS232	All Models	
	Parallel i/f	Parallel	All Models	
	Network i/f	802.3	All Models	
HP C3804A	<i>PhotoSmart</i> printer	IEEE-1284, I-PCL	Unsupported	No driver.
HP C3980A	<i>LaserJet</i> 6P	PCL-6	All Models (as PCL 5)	9.05-10.20, w/ JetAdmin ¹⁰⁸
w/HP C3987A	<i>PostScript</i> Level 2 SIMM	Ps2	All Models	9.05-10.20, w/ JetAdmin ¹⁰⁸
	Parallel interface	IEEE-1284	Unsupported	
w/J259xA	<i>JetDirect</i> -EX print server	802.3/.5	All Models	9.05-10.20, w/ JetAdmin ¹⁰⁸

Graphics Device Support

Vendor & Product Number	Abbreviated Product Description	Type	Hardware Qualification and Support	Software Subsystem Support
HP C3982A	<i>LaserJet</i> 6MP	PCL-6	All Models (as PCL 5)	9.05-10.20, w/ JetAdmin ¹⁰⁸
	<i>PostScript</i> Level 2	Ps2	All Models	9.05-10.20, w/ JetAdmin ¹⁰⁸
	Parallel interface	IEEE-1284	Unsupported	
w/J259xA	<i>JetDirect</i> -EX print server	802.3/5	All Models	9.05-10.20, w/ JetAdmin ¹⁰⁸
HP C3989A	<i>LaserJet</i> Companion se, scanner	IEEE-1284	Unsupported	No drivers
HP C4076A HP C4077A HP C4176A	<i>LaserJet</i> 5si Mopier, 600 dpi, 24ppm, A/B, <i>PostScript</i> , 802.3	PCL	Per interface	9.05-10.20
	<i>PostScript</i> Level 2	SIMM	All Models	9.05-10.20
	IEEE-1284 interface	parallel	Unsupported	
	<i>JetDirect</i> network interface	std.	All Models	9.05-10.20 w/JetAdmin
HP C4085A HP C4086A HP C4086A	<i>LaserJet</i> 8000, 8000N, 8000DN, 1200 dpi, 24ppm			
	Parallel Interface	IEEE-1284	Unsupported	Unsup.
	Network Interface	802.3	All Models	9.05-10.20, w/ JetAdmin ¹¹²
	HP Printer Command Language	PCL-5, -6		
	<i>PostScript</i> emulation	Level 2	All Models	9.05-10.20, w/ JetAdmin ¹¹²
HP C4106A	<i>LaserJet</i> Companion xi, scanner	IEEE-1284	Unsupported	No drivers
HP C4212A	<i>LaserJet</i> 6Pse	PCL-6	All Models (as PCL 5)	9.05-10.20, w/ JetAdmin ¹¹²
w/HP C3987A	<i>PostScript</i> Level 2 SIMM	Ps2	All Models	9.05-10.20, w/ JetAdmin ¹¹²
	Parallel interface	IEEE-1284	Unsupported	
w/J259xA	<i>JetDirect</i> -EX print server	802.3/5	All Models	9.05-10.20, w/ JetAdmin ¹¹²
HP C4213A	<i>LaserJet</i> 6Pxi			
w/HP C3987A	<i>PostScript</i> Level 2 SIMM	Ps2	All Models	9.05-10.20, w/ JetAdmin ¹¹²
	Parallel interface	IEEE-1284	Unsupported	
w/J259xA	<i>JetDirect</i> -EX print server	802.3/5	All Models	9.05-10.20, w/ JetAdmin ¹¹²
HP C4641A	<i>OfficeJet</i> 500	IEEE-1284	Unsupported	No drivers
HP C4642A	<i>OfficeJet</i> 520	IEEE-1284	Unsupported	No drivers
HP C4643A	<i>OfficeJet</i> 570	IEEE-1284	Unsupported	No drivers
HP C4645A	<i>OfficeJet</i> 590	IEEE-1284	Unsupported	No drivers
HP C4699A° HP C4700A° HP C4701A° HP C4702A°	<i>DesignJet</i> 350C, 24-inch <i>DesignJet</i> 350C, 36-inch <i>DesignJet</i> 330C, 24-inch <i>DesignJet</i> 330C, 36-inch			
	HP-GL/2 personality	HP-GL/2	All Models	9.05-9.07 ⊥ 10.01-10.20, w/JetAdmin
	HP-RTL personality	HP-RTL	All Models	9.05-9.07 ⊥ 10.01-10.20, w/JetAdmin
	Serial interface	RS232	All Models	TBD
	Parallel i/f	Parallel	All Models	TBD
w/J238x°/239x	<i>JetDirect</i> Ex Network adaptor	802.3/5	All Models	9.05-9.07 ⊥ 10.01-10.20, w/JetAdmin

Graphics Device Support

Vendor & Product Number	Abbreviated Product Description	Type	Hardware Qualification and Support	Software Subsystem Support
HP C4703A	<i>DesignJet</i> 2000CP		All Models	
	HP-GL/2 personality	HP-GL/2	All Models	9.05-9.07 ⊥ 10.01-10.20, w/JetAdmin
	HP-RTL personality	HP-RTL	All Models	9.05-9.07 ⊥ 10.01-10.20, w/JetAdmin
	Parallel i/f	Parallel	TBD	TBD
w/J238x°/239x	<i>JetDirect</i> Ex Network adaptor	802.3/5	All Models	9.05-9.07 ⊥ 10.01-10.20, w/JetAdmin
HP C4704A	<i>DesignJet</i> 2500CP		All Models, per interface	
	PostScript Level 2 personality	PS2	All Models	9.05-9.07 ⊥ 10.01-10.20, w/JetAdmin
	HP-GL/2 personality	HP-GL/2	All Models	9.05-9.07 ⊥ 10.01-10.20, w/JetAdmin
	HP-RTL personality	HP-RTL	All Models	9.05-9.07 ⊥ 10.01-10.20, w/JetAdmin
	Parallel i/f	Parallel	TBD	TBD
w/J238x°/239x	<i>JetDirect</i> Ex Network adaptor	802.3/5	All Models	9.05-9.07 ⊥ 10.01-10.20, w/JetAdmin
HP C4705A°/B HP C4706A°/B HP C4708A°/B HP C4709A°/B	<i>DesignJet</i> 700C, 24-inch <i>DesignJet</i> 700C, 36-inch <i>DesignJet</i> 750C Plus, 24-inch <i>DesignJet</i> 750C Plus, 36-inch			
w/C4707A	PostScript Level 2 personality	PS lvl 2	All Models	9.05-10.10, w/JetAdmin
	HP-GL/2 personality	HP-GL/2	All Models	9.05-10.10, w/JetAdmin
	HP-RTL personality	HP-RTL	All Models	9.05-10.10, w/JetAdmin
	Serial interface	RS232	All Models	
	Parallel i/f	Parallel	All Models	
w/J238x°/239x	<i>JetDirect</i> Ex Network adaptor	802.3/5	All Models	9.05-10.10, w/JetAdmin
HP C4713A HP C4714A HP C4715A HP C4716A	<i>DesignJet</i> 430 Monochrome, 24-inch <i>DesignJet</i> 430 Monochrome, 36-inch <i>DesignJet</i> 450C Color, 24-inch <i>DesignJet</i> 450C Color, 36-inch		Supported w/ <i>JetDirect</i> Ex adaptor	
	HP-RTL personality	HP-RTL	All Models	9.05-10.10, w/JetAdmin
	Serial interface	RS232	All Models	
	Parallel i/f	Parallel	All Models	
J238x°/239x	<i>JetDirect</i> Ex Network adaptor	802.3/5	All Models	9.05-10.10, w/JetAdmin
HP C4723A	<i>DesignJet</i> 3000CP		Supported w/ <i>JetDirect</i> Ex adaptor	
	HP-RTL personality	HP-RTL		
	HP-GL/2 personality	HP-GL/2		
	Parallel i/f	IEEE-1284	Unsupported	
HP C4724A	<i>DesignJet</i> 3500CP			
	PostScript personality	Level 3	All Models	
	HP-RTL personality	HP-RTL		
	HP-GL/2 personality	HP-GL/2		
	Network Interface	10BaseT	All Models	
	Parallel i/f	IEEE-1284	Unsupported	
HP C5100A	<i>PhotoSmart</i> scanner	nsSCSI	Unsupported	No driver
HP C5116A	ScanJet 5Pse scanner for PC	nsSCSI	All Models ¹¹⁴	9.07 ⊥ 10.01-11.0 ¹¹⁴
HP C5117A	ScanJet 5P scanner for PC	nsSCSI	All Models ¹¹⁴	9.07 ⊥ 10.01-11.0 ¹¹⁴
HP C5119A	ScanJet 5P scanner for Mac	nsSCSI	All Models ¹¹⁴	9.07 ⊥ 10.01-11.0 ¹¹⁴

Graphics Device Support

Vendor & Product Number	Abbreviated Product Description	Type	Hardware Qualification and Support	Software Subsystem Support
HP C5160A°	<i>ScanJet</i> 5s (not orderable)		See C5167A	
HP C5167A°	<i>ScanJet</i> 5s, ISA PC	IEEE-1284	Unsupported	No driver
HP C5190A HP C5192A HP C5193A HP C5197A	<i>ScanJet</i> 5100C <i>ScanJet</i> 5100Cse <i>ScanJet</i> 5100Cxi <i>ScanJet</i> 5100C	IEEE-1284	Unsupported	No driver
HP C5300A	<i>OfficeJet Pro</i> 1150C	IEEE-1284	Unsupported	No drivers
HP C5302A° HP C5303A° HP C5305A°	Color Copier 210 Color Copier 210LX Color Copier 200		No interface. Stand-alone device.	
HP C5340A	<i>PhotoSmart</i> camera	Serial	Unsupported	No driver
HP C5352A° HP C5353A°	Color Copier 120 Color Copier 110		No interface. Stand-alone device.	
HP C5370A HP C5372A	Color Copier 150 Color Copier 140		No interface. Stand-alone device.	
HP C5371A HP C5373A	Color Copier 155 Color Copier 145		No interface. Stand-alone device.	
HP C5384A	<i>PhotoSmart</i> camera C20	Serial	Unsupported	No driver
HP C6267A	<i>ScanJet</i> 6100C scanner, ISA	nsSCSI	All Models ¹¹⁴	9.07_10.01-11.0 ¹¹⁴
HP C6269A	<i>ScanJet</i> 6100C scanner, Mac	nsSCSI	All Models ¹¹⁴	9.07_10.01-11.0 ¹¹⁴
HP M1309A°°	3-button trackball	HP-HIL	All HP-HIL Models	PHIGS 2.11 Starbase 8.05, X-11 8.05
HP 2276A°°	<i>DeskJet</i> , black, 300 dpi, A-size	PCL	All Models	SharedPrint 9.0
HP 2277A°°	<i>DeskJet Plus</i> , 300 dpi, A-size	PCL	All Models	SharedPrint 9.0
HP 2393A°°	Graphics terminal, term0	RS232	Unsupported	Untested
HP 2397A°°	Color terminal, term0	RS232	Unsupported	Untested
HP 2562C°°	420 lpm impact, 16-in.	PCL	See Text Printers section	<i>screenpr</i> 8.05
HP 2563C°	420 lpm impact, 16-in.	PCL	See Text Printers section	<i>screenpr</i> 8.05
HP 2564C°	840 lpm impact, 16-in.	PCL	See Text Printers section	<i>screenpr</i> 8.05
HP 2565A°°	600 lpm impact, 18-in.	PCL	Unsupported	Untested
HP 2566C°	1200 lpm impact, 18-in.	PCL	See Text Printers section	<i>screenpr</i> 8.05
HP 2567C°	1600 lpm impact, 18-in.	PCL	See Text Printers section	<i>screenpr</i> 8.05
HP 2684°°A/D/P	<i>LaserJet</i> /2000 printer	PCL-3	Unsupported	<i>pcltrans</i> 8.07, <i>screenpr</i> 8.07
HP 2686A°°	<i>LaserJet</i> , 8 ppm	Any	Unsupported	<i>pcltrans</i> 8.07, <i>screenpr</i> 8.07
HP 2686D°°	<i>LaserJet</i> 500	Any	Unsupported	<i>pcltrans</i> 8.07, <i>screenpr</i> 8.07
HP 2932A°	200 cps impact	Any	Unsupported	<i>pcltrans</i> 8.07, <i>screenpr</i> 8.07
HP 2933A°°	200 cps "Factory Printer"	Any	Unsupported	<i>pcltrans</i> 8.07, <i>screenpr</i> 8.07
HP 2934A°	200 cps "Office Printer"	Any	Unsupported	<i>pcltrans</i> 8.07, <i>screenpr</i> 8.07
HP 33439P°°	PostScript Level 1 ROM for <i>LaserJet</i> -II, -IID, -IIP & -IIL	Font slot	All Models	SharedPrint 8.07
HP 33439Q°	PostScript Level 1 ROM for <i>LaserJet</i> -IID, -IIP, -IIL, -IIL & -IILP	Font slot	All Models	SharedPrint 8.07
HP 33440A°°	<i>LaserJet</i> -II, 8 ppm single	Any i/f, PCL-3	Fomerly supported	<i>pcltrans</i> 9.0, <i>screenpr</i> 9.0, SharedPrint 9.0
HP 33447A°°	<i>LaserJet</i> -IID, 8 ppm double	PCL-3	All Models	<i>pcltrans</i> 8.05, <i>screenpr</i> 8.05, Shared-Print 8.05

Graphics Device Support

Vendor & Product Number	Abbreviated Product Description	Type	Hardware Qualification and Support	Software Subsystem Support
HP 33449A ^{oo}	<i>LaserJet-III</i> , 8 ppm single	PCL-5	All Models	<i>cadplt2</i> 8.05, <i>pcltrans</i> 8.05, <i>screenpr</i> 8.05, SharedPrint 8.05
HP 33459A ^o	<i>LaserJet-IIID</i> , 8 ppm double	PCL-5	All Models	<i>cadplt2</i> 8.05, <i>pcltrans</i> 8.05, <i>screenpr</i> 8.05, SharedPrint 8.05
HP 33471A ^{oo}	<i>LaserJet-IIP</i> , 4 ppm single	PCL-4	All Models	<i>cadplt2</i> 8.05, <i>pcltrans</i> 8.05, <i>screenpr</i> 8.05, SharedPrint 8.05
HP 33481A ^o	<i>LaserJet-IIIP</i> , 4 ppm single	PCL-5	All Models	<i>cadplt2</i> 9.0, <i>pcltrans</i> 9.0, <i>screenpr</i> 9.0, SharedPrint 9.0
HP 33491A ^o	<i>LaserJet-IIIsi</i> , 17 ppm			
	HP Printer Command Language	PCL-5	All Models	<i>cadplt2</i> 8.07, <i>pcltrans</i> 8.07, <i>screenpr</i> 8.07, SharedPrint 8.07
	HP-GL/2	HP-GL/2	All Models	<i>cadplt2</i> 8.07, <i>screenpr</i> 8.07
w/33494B	<i>PostScript</i> Level 2	Ps2	All Models	SharedPrint 9.0
HP 35723A ^o	12-inch touch bezel	HP-HIL	2393/97A terminals only	Untested
HP 3630A ^o	<i>PaintJet</i> 180 dpi color graphics printer	PCL	See Text Printers section	<i>pcltrans</i> 8.05, <i>screenpr</i> 8.05, Shared-Print 8.05
HP 41063 ^{oo} A/B	Asian Workstation printer	PCL	All Models	Untested
HP 45850 ^o	HP150 PC, in HP2623A emulation	RS232	Unsupported	Starbase 8.0
HP 45911 ^{oo} A/C	11½11-in. tablet	HP-HIL	All full HP-HIL Models	PHIGS 2.11, Starbase 8.05
HP 46060A ^{oo}	Mouse, 2 button	HP-HIL	Unsupported	PHIGS 2.11, Starbase 8.05
HP 46060B ^{oo}	Mouse, 3 button	HP-HIL	All HP-HIL Models	PHIGS 2.11, Starbase 8.05, X.11 8.05
HP 46083A ^o	1-Knob dial set	HP-HIL	Unsupported	PHIGS 2.11, Starbase 8.05
HP 46085A ^o	9-Knob dial set	HP-HIL	All full HP-HIL Models	PHIGS 2.11, Starbase 8.05
HP 46086A ^o	32-button pad	HP-HIL	All full HP-HIL Models	PHIGS 2.11, Starbase 8.05
HP 46087 ^{oo} A/B	Digitizer, A-size	HP-HIL	All full HP-HIL Models	PHIGS 2.11, Starbase 8.05
HP 46087C ^o	Digitizer, A/A4-size, stylus	HP-HIL	All full HIL Models	PHIGS 2.11, Starbase 8.05
HP 46088 ^{oo} A/B	Digitizer, B-size	HP-HIL	All full HP-HIL Models	PHIGS 2.11, Starbase 8.05
HP 46088C ^o	Digitizer, B/A3-size, stylus	HP-HIL	All full HIL Models	PHIGS 2.11, Starbase 8.05
HP 46090C ^o	Digitizer, A-size	HP-HIL	All full HP-HIL Models	PHIGS 2.11, Starbase 8.05
HP 46091C ^{oo}	Digitizer, B-size	HP-HIL	All full HP-HIL Models	PHIGS 2.11, Starbase 8.05
HP 46094A ^o	Honeywell Quadrature adaptor	HP-HIL	Unsupported	{per device}
HP 46095A ^{oo}	3-button mouse	Quad.	Unsupported	Starbase 8.05
HP 7060A ^{oo}	<i>SketchPro</i> 11½11-in. tablet	RS232	Unsupported	No driver
HP 7090A ^o	Graphics Measurement Plotter	HP-IB	Unsupported	Unsup.
HP 7440A ^o	<i>ColorPro</i> 8-pen A-size plotter	HP-GL	Per interface	Starbase 8.05
Option 001	Serial interface	RS232	All Models	
Option 002	IEEE-488 interface	HP-IB	Unsupported	
HP 7440B ^o	<i>ColorPro</i> , HP-GL	HP-IB	Unsupported	
HP 7475A ^o	B-size, 6-pen plotter	HP-GL	Per interface	Starbase 8.05
Option 001	Serial interface	RS232	All Models	
Option 002	IEEE-488 interface	HP-IB	Unsupported	
HP 7475B ^o	Plotter, bus only, HP-GL	HP-IB	Unsupported	
HP 7550A ^o	B-size, 8-pen plotter	HP-GL	Per interface	Starbase 8.05
	Serial interface	RS232	Unsupported	
	IEEE-488 interface	HP-IB	Unsupported	

Graphics Device Support

Vendor & Product Number	Abbreviated Product Description	Type	Hardware Qualification and Support	Software Subsystem Support
HP 7550B°	B-size, 8-pen plotter	HP-GL/2	Per interface	Starbase 8.05
Option 005	Eavesdrop serial interface	RS232	All Models	
Option 005	IEEE-488 interface	HP-IB	Unsupported	
Option 006	Single serial interface	RS232	All Models	
Option 006	Parallel interface	Parallel	Unsupported	
HP 7570A°	<i>DraftPro C/D</i> -size, 8-pen plotter, HP-GL	RS232	All Models	Starbase 8.05
HP 7575A°	<i>DraftPro DXL A...D</i> -size, 8-pen plotter, HP-GL	RS232	All Models	Starbase 8.05
HP 7576A°	<i>DraftPro EXL A...E</i> -size, 8-pen plotter, HP-GL	RS232	All Models	Starbase 8.05
w/17570A	IEEE-488 interface	HP-IB	Unsupported	
HP 7580A°°/B°	D-size, 8-pen plotter, HP-GL	Any	Unsupported	Untested
HP 7585°	E-size, 8-pen plotter, HP-GL	Any	Unsupported	Untested
HP 7586B°	E-size, 8-pen, roll-feed, HP-GL	Any	Unsupported	Untested
HP 7595A°	<i>DraftMaster E</i> -size, 8-pen plotter	HP-GL	Unsupported	Untested
HP 7596A°	<i>DraftMaster E</i> -size, 8-pen, roll-feed	HP-GL	Unsupported	Untested
HP 7595°B/C	<i>DraftMaster SX E</i> -size, 8-pen plotter	HP-GL/2	Per interface	Starbase 8.05, SharedPrint
HP 7596°B/C	<i>DraftMaster RX E</i> -size, 8-pen, roll-feed	HP-GL/2	Per interface	Starbase 8.05, SharedPrint
HP 7599°A/B	<i>DraftMaster MX E</i> -size, 8-pen, roll-feed, spooled	HP-GL/2	Per interface	Starbase 8.05, SharedPrint
	Serial interface	RS232	All Models	
	IEEE-488 interface	HP-IB	Unsupported	
HP 9190A°°	<i>ScanJet</i> , SCL	Custom parallel	Never supported. May not function on some Models	No software
HP 9195A°°	<i>ScanJet Plus</i> , SCL	Custom parallel	Unsupported. May not function on Models other than 720, 730 and 750.	No software
HP 9666A°	Ruggedized 2397A	RS232	Unsupported	Untested
HP 98705A°°	s400 PVRX P2 processor	LGB	Unsupported	No function
HP 98705B°°	s400 PVRX P3 processor	LGB	Unsupported	No function
HP 98705C° ¹⁰⁷	s400 PVRX P1 processor	LGB	Unsupported	No function
HP 98705P° ¹⁰⁷	s700 PVRX P3 processor	LGB	Models 720, 730, 750	PHIGS 2.1 Starbase 8.05 X-II 8.05
HP 98720A°°	SRX Processor	LGB	No SGC or GSC interface for this product.	NA
HP 98730A°°	<i>TurboSRX</i> Processor	LGB	No SGC or GSC interface for this product.	NA
HP 98735A°°	s400 Turbo VRX T1 Processor	G-Bus	Must upgrade to 98757A	No
HP 98736A°°	s400 Turbo VRX T2 Processor	G-Bus	Must upgrade to 98757A	No
HP 98736B°°	s400 Turbo VRX T3 Processor	G-Bus	Must upgrade to 98757A	No
HP 98757A°	Upgrade from Series 400 TurboVRX	SGC	Models 720, 730, 750	PHIGS 2.1 Starbase 8.05 X-II 8.05
Option 001	400/T1 to 700/T2	SGC	Models 720, 730, 750	PHIGS 2.1 Starbase 8.05 X-II 8.05
Option 002	400/T2 to 700/T2	SGC	Models 720, 730, 750	PHIGS 2.1 Starbase 8.05 X-II 8.05
Option 003	400/T3 to 700/T4	SGC	Models 720, 730, 750	PHIGS 2.1 Starbase 8.05 X-II 8.05
HP 98765A° ¹⁰⁷	Turbo VRX T2 Processor	SGC	Models 720, 730, 747i, 750	PHIGS 2.11 Starbase 8.05 X-II 8.05

Graphics Device Support

Vendor & Product Number	Abbreviated Product Description	Type	Hardware Qualification and Support	Software Subsystem Support
HP 98766A ¹⁰⁷	Turbo VRX T4 Processor	SGC	Models 720, 730, 747i, 750	PHIGS 2.11 Starbase 8.05 X-11 8.05
HP 98767A ^o	TurboVRX T2T4 upgrade	TVRX	Models 720, 730, 747i, 750	PHIGS 2.11 Starbase 8.05 X-11 8.05
HP 98768A	700 CRX upgrade	SGC	Models 720, 730, 747i, 750	PHIGS 2.11 Starbase 8.05 X-11 8.05
HP-Apollo A-LPFK ^o	32-button pad	RS232	Unsupported	No software
HP-Apollo CGP ^{oo}	CP300 (Tek 4693DX)	Parallel ¹¹¹	No supported i/f	No software
HP-Apollo HCD-MMP ^o	(Genicom) impact printer	RS232	Unsupported	No software
HP-Apollo K1388 ^{oo}	8 knob Dial Set	RS232	Unsupported	No software
HP-Apollo K1410 ^{oo}	Mouse, 3-button	Quad. ¹¹³	All full HP-HIL Models	Starbase 8.05
HP-Apollo K1422 ^{oo}	SpaceBall XYZ, 8-button	RS232	{see HP A4360A}	{see HP A4360A}
HP-Apollo K1424 ^{oo}	Summagraphics <i>Bit Pad Two</i>	RS232	Unsupported	No software
HP-Apollo K1432 ^{oo}	Summagraphics B-tablet	RS232	Unsupported	No software
HP-Apollo K1434 ^{oo}	Marconi RB2 3-Button Trackball	Quad. ¹¹³	Unsupported	Untested
HP-Apollo K1435 ^{oo}	Itac 3-Button Trackball	Quad. ¹¹³	Unsupported	Untested
	Shinko printers			
HP-Apollo K1603 ^{oo}	Shinko CHC-335, 200 dpi color	Parallel	Unsupported	No software
HP-Apollo K1604 ^{oo}	Shinko CHC-336, 200 dpi color, HP-GL, CGI/CGM	Parallel	Unsupported	No software
HP-Apollo K1605 ^{oo}	Shinko CHC-345, 300 dpi color	Parallel	Unsupported	No software
HP-Apollo K1606 ^{oo}	Shinko CHC-645B, 300 dpi color	Parallel	Unsupported	No software
HP-Apollo LP26 ^o	LP/26 PostScript printer	Any	Unsupported	Untested
HP-Apollo LP80010 ^o	LP 800, PostScript printer	Any	Unsupported	Untested
HP-Apollo SPTL-2003 ^o	SpaceBall XYZ, 8-button	RS232	{see HP A4360A}	{see HP A4360A}

Graphics Device Notes:

107. This product number is for reference purposes only. The device is not separately sold.
108. Must be last device on a single-ended SCSI bus. Not recommended for use on same bus as "/root" disc.
109. Scanners with serial number prefix lower than 3226 require a firmware upgrade.
110. ScanJet support requires A2226A^o, A2229BA or HP MPower on 9.x releases. Support after 10.20 is provided via third parties, such as those listed in footnote 114.

111. The CP-300 (aka 4693DX) is incompatible with the built-in parallel interface. The former "KIT-CENT-CP" ISA card is not supported.
112. Optimal printer/feature support is provided only via JetAdmin software (JetAdmin) and JetDirect network connection.
113. Requires HP 46094A quadrature adaptor. May function correctly only on full HP-HIL host SPUs.

114. HP-UX support for this device is available from:

Mentalix (Pixel!FX)
1700 Alma Drive, Suite 110
Plano, TX 75075
800 636-8259, 214 423-1145
<http://www.pfx.com>

Vividata, Inc. (ScanShop)
1250 Addison Street, Suite 213A
Berkeley, CA 94702
510 841-6400
<http://www.vividata.com/>

Networking Devices

This section lists all external local area network (LAN) and wide area network (WAN) devices. Plug-in and internal network link and adaptor cards are covered in the Interfaces section of this document.

Apollo Token Ring is no longer supported after release 9.07.

In general, the “HP-UX Support” column indicates whether or not HP-UX can transparently connect to or through the device. For devices described as “Managed”, HP OpenView NodeManager software (J2317A) is required to directly discover, configure and monitor the device.

The “Min. Boot ROM” column indicates the minimum revision of Boot code required to boot an operating system, recovery system or diagnostic kernel from or through the device. “Transp.” means that the device is transparent to software.

Networking Devices Support

Vendor & Product Number	Abbreviated Product Description	Type	Min. Boot ROM	Hardware Qualification and Support	HP-UX Support
	Apollo Token Ring				
HP A2544A°	ATR/9000 Link	EISA		See Interfaces section	8.05-9.07√
HP A2545A°	ATR/9000 Link & EISA slot	EISA		See Interfaces section	8.05-9.07√
HP A2654A	FDDI Single, Daughter i/f	755		See Interfaces section	
HP A2658A	802.3 AUI Daughter	735		See Interfaces section	
HP A2665A	FDDI Daughter i/f	735		See Interfaces section	
HP A2670A	10Base2 ThinLAN transceiver	AUI	Any	All Models w/AUI ¹¹⁵	8.05-11.0
HP A2671A	10BaseT EtherTwist transceiver	AUI	Any	All Models w/AUI ¹¹⁵	8.05-11.0
HP A2991-60013	Line I/O, Japan	CHAMP14-RJ12	Any	All Models w/ Access Port	___-10.20
HP A2991-60016	Line I/O, North America	CHAMP14-RJ12	Any	All Models w/ Access Port	___-10.20
HP A3495AA	100BaseT Interface	HP-PB		See Interfaces section	
HP A3502A	Model 266 Fibre Channel Switch	FC-PH 4.3	N/A	EPS20, Model K420	10.01-10.20
HP A3658A	100BaseT interface	EISA		See Interfaces section	
HP A3659A	FDDI interface	EISA		See Interfaces section	
HP A3724A	FC-AL (Fibre Channel Arbitrated Loop) 10 port hub, 1063 Mbps	FC-AL	No	EPS, K-Class	10.20
HP A4011A	802.5 Token Ring interface	GIO		See Interfaces section	
HP A4011B	802.5 Token Ring interface	GIO		See Interfaces section	
HP A4012A, HP A4012AJ°	TeleShare POTS i/f, analog RJ11C	GIO		See Interfaces section	
HP A4014A	Second LAN plus 2nd serial	GIO		See Interfaces section	
HP A4015A	X.25 Link	GIO		See Interfaces section	
HP A4031A°	Fibre Channel/9000 interface	EISA		See Interfaces section	
HP A4217A	Dual head/dual LAN	GIO+TSIO		See Interfaces section	
HP A4308A	100BaseT interface	EISA		See Interfaces section	
HP A4839A	Fibre Channel 10 port hub, 1063 Mbps	FC-SW & -LW	No	EPS, K-Class	10.20
HP A4891A	HyperFabric 160 MB/sec switch	Myrinet			
HP B5502AA	FDDI interface	EISA		See Interfaces section	
HP C2059T°	JetDirect 10BaseT/AUI TCP/IP	MIO, 802.3	NOP	See Text Printers section	
HP C2071S°	JetDirect 10BaseT TCP/IP	XIO, 802.3	NOP	See Text Printers section	
HP C2071T°	JetDirect 10Base2 TCP/IP	XIO, 802.3	NOP	See Text Printers section	

Networking Devices Support

Vendor & Product Number	Abbreviated Product Description	Type	Min. Boot ROM	Hardware Qualification and Support	HP-UX Support
HP C2970A° HP C2971A°	PrinterPal	RS232	Unsup.	Unsupported	Unsup.
HP CODX-3350	Codex modems	RS232	Unsup.	Unsupported	Unsup.
HP CODX-3380A/B	Codex modems	RS232	Unsup.	Unsupported	Unsup.
HP CODX-35009	Codex DSU/CSU	RS232	Unsup.	Unsupported	Unsup.
HP E2050A	LAN to HP-IB instrument controller, 10BaseT RJ45 & 10Base2 BNC	802.3	NOP	All Models	SICL ¹¹⁶ 9.0-9.07 ⊥ 10.01 ⊥ 10.20
HP J2060°A/AZ	DTC-16TN LAN Terminal Server	802.3	NOP	Unsupported	10.01-11.0
HP J2062A/AZ	DTC-16iX LAN Terminal Server	802.3	NOP	Unsupported	Unsup. ¹¹⁸
HP J2063A/AZ	DTC-16MX LAN RS-232 Server	802.3	NOP	Unsupported	10.01-11.0
HP J2064A/AZ	DTC-16RX LAN Routable RS-232 Server	802.3	NOP	All Models, w/J2496A software	9.03-9.07 ⊥ 10.01-10.20
HP J2069A°	HIPPI (High Perf. Parallel) Link	SGC	⇒	See Interfaces section	←
HP J2070A/AZ	DTC-72MX LAN Async. Server	802.3	NOP	Unsupported	10.01-11.0
HP J2104A°	ISDN Basic Rate Interface	ISA	⇒	See Interfaces section	←
HP J2109A°	ISDN BRI (USA)	ISA	⇒	See Interfaces section	←
HP J2156A°	FDDI-single MIC interface	EISA	⇒	See Interfaces section	←
HP J2159A	X.25 interface	EISA		See Interfaces section	←
HP J2165A	IEEE 802.5 token ring i/f	EISA		See Interfaces section	←
HP J2226A	SNAPplus Link (interface)	EISA		See Interfaces section	←
HP J2340A°°	JetDirect 10BaseT, 10Base2	MIO, 802.3	NOP	See Text Printers section	
HP J2355A°	EtherTwist Hub Plus/24	802.3	Any	All Models	8.05-11.0
HP J2371A°	JetDirect 10BaseT	MIO, 802.3	NOP	See Text Printers section	
HP J2372A°	JetDirect 10BaseT, 10Base2	MIO, 802.3	NOP	See Text Printers section	
HP J2373A°	JetDirect Token Ring	MIO, 802.5	NOP	See Text Printers section	
HP J2382A° HP J2383A°	Novell-only JetDirect EX	Parallel, 802.3	NOP	Unsupported	Unsup.
HP J2382B°	JetDirect EX adaptor, Ethernet	Parallel, 802.3	NOP	See Text Printers section	
HP J2383B°	JetDirect EX adaptor, Token Ring	Parallel, 802.5	NOP	See Text Printers section	
HP J2410A°	AdvanceStack 100VG Hub-15	802.12	NOP	All Models w/100VG LAN	9.0-10.20
HP J2413A°	AdvanceStack 100VG Hub-7M	802.12	NOP	All Models w/100VG LAN	9.0-10.20
HP J2415A	AdvanceStack 100VG Hub-14	802.12	NOP	All Models w/100VG LAN	9.0-10.20
HP J2418A°	HP EtherTwist LAN switch, 1 AUJ, 1 BNC. 4 UTP	802.3	NOP	All Models	Transp.
HP J2430A°	AdvanceStack Router 650, managed	Various	NOP	All Models w/selected network types	9.0-11.0
HP J2458A	ISDN BRI (Integrated Services Digital Network, Basic Rate interface)	nsSCSI	NOP	EPS, K-Class. Use J2460A for other workstations.	10.01-10.20 w/J2455A
HP J2460A	ISDN BRI Link	nsSCSI	NOP	All nsSCSI Models	9.03-9.07 ⊥ 10.01-10.20 ^V
HP J2496A	DTC 16RX Datacomm Terminal Controller (routable 16MX)	802.3	NOP	All Models	9.05-9.07 ⊥ 10.01-11.0
HP J2498A	ATM adaptor, OC3/155	EISA		See Interfaces section	

Networking Devices Support

Vendor & Product Number	Abbreviated Product Description	Type	Min. Boot ROM	Hardware Qualification and Support	HP-UX Support
HP J2540A°/B°	<i>AdvanceStack</i> Router 230, managed	802.3	NOP	All Models	9.0-11.0
HP J2543A°	<i>AdvanceStack</i> Router 245, 1 Token Ring, 1 WAN	802.5	NOP	All Models w/802.5 NIC	Transp.
HP J2550A°	<i>JetDirect</i> 10BaseT	MIO, 802.3	NOP	See Text Printers section	
HP J2552A°	<i>JetDirect</i> 10BaseT, 10Base2	MIO, 802.3	NOP	See Text Printers section	
HP J2555A°	<i>JetDirect</i> Token Ring	MIO, 802.5	NOP	See Text Printers section	
HP J2591A	<i>JetDirect</i> EX Plus	802.3, Par.	NOP	See Text Printers section	
HP J2593A	<i>JetDirect</i> EX+3 adaptor, 802.3 (BNC, RJ45) & 3 parallel	802.3, Parallel	NOP	See Text Printers section	
HP J2594A	<i>JetDirect</i> EX+3 adaptor, 802.5 (DB9, RJ45) & 3 parallel	802.5, Parallel	NOP	See Text Printers section	
HP J2600A	<i>AdvanceStack</i> 10BaseT Hub-12	802.3	Any	All Models w/10BaseT	Transp.
w/J2603B	SNMP management	SNMP	NA	All Models	9.0-10.20
HP J2601A°/B°	<i>AdvanceStack</i> 10BaseT Hub-24	802.3	Any	All Models	Transp.
w/J2603B	SNMP management	SNMP	NA	All Models	9.0-10.20
HP J2602A°	<i>AdvanceStack</i> 10BaseT Hub-48	802.3	Any	All Models	Transp.
w/J2603B	SNMP management	SNMP	NA	All Models	9.0-10.20
HP J2610A°/B	<i>AdvanceStack</i> 10BaseT Hub-8U	802.3	Any	All Models	Transp.
w/J2612A	SNMP management	SNMP	NA	All Models	9.0-10.20
HP J2611B°	<i>AdvanceStack</i> Hub-16U	802.3	Any	All Models	9.0-10.20
HP J2628A	Router 210, 12 10BaseT, 1 WAN, managed	802.3	Unsup. ¹²⁰	All Models w/10BaseT	9.0-10.20
HP J2630A	<i>AdvanceStack</i> 10BaseT Hub-12, managed	802.3	Any	All Models w/10BaseT	9.0-10.20
HP J2631A°/B	<i>AdvanceStack</i> 10BaseT Hub-24, managed	802.3	Any	All Models w/10BaseT	9.0-10.20
HP J2632A°/B	<i>AdvanceStack</i> 10BaseT Hub-48, managed	802.3	Any	All Models w/10BaseT	9.0-10.20
HP J2645AA	10/100VG LAN Link	EISA	⇒	See Interfaces section	⇐
HP J2794A	X.25, high performance	EISA	⇒	See Interfaces section	⇐
HP J2802A°/B	ATM adaptor, OC3/155 Mbps	EISA	⇒	See Interfaces section	⇐
HP J2803A°/B	ATM adaptor, OC3/155	HSC	⇒	See Interfaces section	⇐
HP J2980A	<i>AdvanceStack</i> 10/100 LAN Switch-16	802.3, 802.12	Any	All Models	9.0-10.20
HP J3100A°/B HP J3101A°	<i>AdvanceStack</i> Switch 2000	Various	Any	All Models	9.0-10.20
HP J3110A	<i>JetDirect</i> 600N, 10BaseT RJ45	EIO	⇒	See Text Printers section	⇐
HP J3111A	<i>JetDirect</i> 600N, 10BaseT RJ45, 10Base2 BNC	EIO	⇒	See Text Printers section	⇐
HP J3112A	<i>JetDirect</i> 600N, Token Ring 802.5 RJ45 and DB9	EIO	⇒	See Text Printers section	⇐
HP J3113A	<i>JetDirect</i> 600N, 10BaseT and 100BaseTX RJ45	EIO	⇒	See Text Printers section	⇐
HP J3125A	<i>AdvanceStack</i> Switch 200	802.12	Any	All Models w/100VG LAN	9.0-10.20
HP J3126A°	<i>AdvanceStack</i> Switch 100	802.12	Any	All Models w/100VG LAN	9.0-10.20
HP J3127A	<i>AdvanceStack</i> 10BaseT Hub-8E	802.3	Any	All Models	9.03-11.0

Networking Devices Support

Vendor & Product Number	Abbreviated Product Description	Type	Min. Boot ROM	Hardware Qualification and Support	HP-UX Support
HP J3137A°	<i>AdvanceStack</i> 100VG Hub-7E	802.12	Any	All Models w/100VG LAN	9.0-10.20
HP J3175A	<i>AdvanceStack</i> Switch 208T	802.3u		All Models w/100bT LAN	9.0-10.20
HP J3177A	<i>AdvanceStack</i> Switch 224T	802.3u		All Models w/100bT LAN	9.0-10.20
HP J3188A	Hub 16M, 10BaseT	802.3			Requires Cisco software
HP J3200A	<i>AdvanceStack</i> Switching Hub-12R, 10BaseT	802.3		All Models	9.03-9.07 ⊥ 10.01-11.0
HP J3202A	<i>AdvanceStack</i> Switching Hub-24R, 10BaseT	802.3		All Models	9.03-9.07 ⊥ 10.01-11.0
HP J3204A	<i>AdvanceStack</i> Switching Hub-24T, 10BaseT	802.3		All Models	9.03-9.07 ⊥ 10.01-11.0
HP J3233A°/B	<i>AdvanceStack</i> 100BaseT Hub-12TXM	802.3u		All Models w/100bT LAN	9.0-10.20
HP J3234A°/B	<i>AdvanceStack</i> 100BaseT Hub-12TX	802.3u		All Models w/100bT LAN	9.0-10.20
HP J3235A	<i>AdvanceStack</i> 100BaseT Hub-8TXE	802.3u		All Models w/100bT LAN	9.0-11.0
HP J3245A	<i>AdvanceStack</i> Switch 800T				
HP J3263A	<i>JetDirect</i> 300X, 10BaseT and 100BaseTX, one RJ45, one parallel	802.3, 802.3u	NOP	See Text Printers section	
HP J3272A	<i>AdvanceStack</i> 100BaseT Hub 24TX, 24 RJ45, one RJ45 cascade.	802.3u		All Models w/100bT LAN	9.0-11.0
HP J3298A	ProCurve Switch 212M	802.3			
HP J3299A	ProCurve Switch 222M	802.3			
HP J3300A	<i>AdvanceStack</i> 10BaseT Hub12, 12 RJ45, MDI switch, transceiver slot.	802.3	Any	All Models	9.07-11.0
HP J3301A	<i>AdvanceStack</i> 10BaseT Hub12M, managed	802.3	Any	All Models	9.07-11.0
HP J3302A	<i>AdvanceStack</i> 10BaseT Hub24, 24 RJ45, MDI switch, transceiver slot.	802.3	Any	All Models	9.07-11.0
HP J3303A	<i>AdvanceStack</i> 10BaseT Hub24M, managed	802.3	Any	All Models	9.07-11.0
HP J3420A	ATM adaptor	GSC-M	⇒	See Interfaces section	⇐
HP J3457A	Quad Ethernet LanProbe	802.3	NOP	All Models	w/NetMetrix Software
HP J4110A	ProCurve Switch 8000M	802.3u	Any	All Models	9.05-9.07 ⊥ 10.01-11.0
HP J4120A	ProCurve Switch 1600M, 16 x 10/100	802.3u	Any	All Models	9.05-9.07 ⊥ 10.01-11.0
HP J4121A	ProCurve Switch 4000M	802.3u	Any	All Models	9.05-9.07 ⊥ 10.01-11.0
HP J4122A	ProCurve Switch 2400M, 24 x 10/100	802.3u	Any	All Models	9.05-9.07 ⊥ 10.01-11.0
HP L1025A°	<i>QuickBurst</i> cable modem	802.3	Note ¹¹⁹	All Models w/10BaseT	9.03-10.20
HP L1100A°°	<i>OmniShare</i> Conferencer	RS232, POTS	NOP	Never supported	Unsup.
HP 2334A°	X.25 Cluster controller	RS232	NOP	Unsupported	Unsup.
HP 2335A°	X.25 Cluster controller	RS232	NOP	Unsupported	Unsup.
HP 2340A°	DTC-16 LAN Terminal Server	802.3	NOP	Unsupported	10.01-11.0
HP 2342A°	TS-8 terminal controller	802.3	NOP	Never supported	Unsup. ¹²¹
HP 2345A°	DTC LAN Terminal Server	802.3	NOP	Unsupported	Unsup. ¹²¹
HP 25567A°°	LAN, IEEE-802 Thin/AUI	EISA		See Interfaces section	
HP 25567B°	LAN, IEEE-802 Thin/AUI	EISA		See Interfaces section	

Networking Devices Support

Vendor & Product Number	Abbreviated Product Description	Type	Min. Boot ROM	Hardware Qualification and Support	HP-UX Support
HP 2717x°	OEM Hubs	802.3	Unsup.	Unsupported	Unsup.
HP 27270°A/B to HP 27278°A/B	HP Router, 4 VME, managed	802.3	Unsup. ¹²⁰	All Models	8.05-10.10
HP 27285A	AdvanceStack Router 440 (aka HP Router ER) 2 802.3 (AUI), 2 WAN, managed	802.3	Unsup. ¹²⁰	All Models	8.05-10.10
HP 27286A°	AdvanceStack Router 445 (aka HP Router TR), 1 802.3 (AUI), 1 802.5, 2 WAN, managed	802.3	Unsup. ¹²⁰	All Models	8.05-10.10
HP 27287A°	AdvanceStack Router 470, 1 __, 1 __, managed	802.3	Unsup. ¹²⁰	All Models	8.05-10.10
HP 27288A	AdvanceStack Router 430 1 802.3 (AUI), 3 WAN, managed	802.3	Unsup. ¹²⁰	All Models	8.05-10.10
HP 27289A°/B	AdvanceStack Router 240 1 802.3 (AUI), 1 WAN, managed	802.3	Unsup. ¹²⁰	All Models	8.05-10.10
HP 27290A°	AdvanceStack Router 480 4 802.3, 1 FDDI, managed	802.3	Unsup. ¹²⁰	All Models	8.05-10.10
HP 28641A°°/B	10Base2 ThinLAN MAU	AUI/m	Any	All Models w/AUI ¹¹⁵	Transp.
HP 28645A°°	Multiport repeater, 1 AUI/f, 3 10Base2/m	802.3	Any	All Models	Transp.
HP 28647°°A/B	StarLAN Bridge, 1 StarLAN (1Mbps), 1 AUI, 1 BNC	802.3	N/A	No 1 Mbps LAN interface	N/A
HP 28648B°°	LAN Bridge, 2 AUI/f	802.3	Unsup. ¹²⁰	Formerly supported	Transp.
HP 28649A°°	IEEE 802.3 LAN to 802.5 Token Ring bridge; 1 AUI/f, 1?	802.3, 802.5	Unsup. ¹²⁰	Formerly supported	Transp.
HP 28663A°°	StarLAN-10 Hub; 1 AUI/f, 12 RJ-45	802.3	Unsup.	Never supported	Unsup.
HP 28664A°°	StarLAN-10 MAU, 1 AUI/m, 1 RJ-45	802.3	Unsup.	Never supported	Unsup.
HP 28673A	AdvanceStack LAN Bridge MB, 2 AUI, 1 console, managed	802.3	Unsup. ¹²⁰	All Models	8.05-10.10
HP 28674A°°/B	AdvanceStack Remote Bridge RB, 1 AUI, 1 WAN	802.3	Unsup. ¹²⁰	All Models	Transp.
HP 28681A	10:10 LAN Bridge LB, 2 AUI, 1 console, unmanaged	802.3	Unsup. ¹²⁰	All Models	Transp.
HP 28682A	Fiber Optic Hub Plus, 1 AUI, 8 ST	802.3	Any	All Models	Transp.
HP 28683A	Fiber Optic MAU (Transceiver), 1 AUI/m, 1 FOIRL	AUI	Any	All Models w/AUI ¹¹⁵	Transp.
HP 28684A°°/B°	EtherTwist Hub; 1 AUI, 12 RJ-45	802.3	Any	All Models	Transp.
HP 28685A°°/B	10BaseT EtherTwist MAU, 1 AUI/m, 1 RJ45	AUI	Any	All Models w/AUI ¹¹⁵	Transp.
HP 28688A°°/B°	EtherTwist Hub Plus, 1 AUI, 1 25-pair (12 port), managed	802.3	Any	All Models	8.05-10.10
HP 28691A°	EtherTwist Hub/8, 1 AUI, 1 25-pair (8 port), unmanaged	802.3	Any	All Models	Transp.
HP 28692A	HP ThinLAN Hub Plus, 1 AUI, 9 10base2, managed	802.3	Any	All Models	8.05-10.10
HP 28699A°	EtherTwist Hub Plus/48, 1 AUI, 4 25-pair (48 port), managed	802.3	Any	All Models	8.05-10.10
HP 32066/68A°°	Codex 2680 modem	RS232	Unsup.	Never supported	Unsup.

Networking Devices Support

Vendor & Product Number	Abbreviated Product Description	Type	Min. Boot ROM	Hardware Qualification and Support	HP-UX Support
HP 30241A	10Base5 ThickLAN MAU, 1 AUI/m, 1 Type N tap	AUI	Any	All Models w/AUI ¹¹⁵	Transp.
HP 37212A ^{oo}	1200 baud HP modem	RS232	NOP	Unsupported	8.05-9.03 [√]
HP 37212B ^{oo}	2400 baud HP modem	RS232	NOP	Unsupported	8.05-9.03 [√]
HP 39301A ^o	Optical 8/16-channel repeater	RS232	Unsup.	Unsupported	Unsup.
HP 4985A	LanProbe III Plus/ Token RingMonitor, RJ-45 UTP, DB9 STP, RS-232C (SLIP)	802.5	Unsup.	All Models	w/NetMetrix software
HP 4986A	LanProbe III Plus/ Ethernet Monitor, RJ-45 10BaseT, BNC 10Base2, RS-232C (SLIP)	802.3	Unsup.	All Models	w/NetMetrix software
HP 4991A ^o	LanProbe Network Monitor	802.3	NOP	All Models	8.03 w/4998A
HP 4992A ^o	LanProbe Node Locator	802.3	NOP	All Models	8.03 w/4998A
HP 4995 ^o /6A ^o	LanProbe II Network Monitor	802.3	NOP	All Models	8.03 w/4998A
HP 50759A ^o	Remote Support modem	RS232, AT	Unsup.	Unsupported	Unsup.
HP 92178S ^{oo}	ABC switch	RS232	Transp.	Unsupported	Transp.
HP 92203A ^{oo}	Codex 2264 V.32 modem	RS232	NOP	Unsupported	Unsup.
HP 92205 ^{oo} A/C	Hayes Smartmodem 1200	RS232, AT	NOP	Unsupported	8.05
HP 92205B ^{oo}	Hayes Smartmodem 2400	RS232, AT	NOP	Unsupported	8.05
HP-Apollo A-NET-ITR ^o	IBM token ring i/f	ISA		See Interfaces section	
HP-Apollo K1095 ^o	"ETH-RPTR-FIBER" AFR-1 Fiber Optic Repeater; 2 SMA, 1 AUI/f	802.3	Transp.	OEM Vendor supported	Unsup.
HP-Apollo K1096 ^o	"ETH-RPTR-MR2" MR-2000C Multiport Thinnet repeater; 2 BNC	802.3	Transp.	OEM Vendor supported	Unsup.
HP-Apollo K1097 ^o	"ETH-RPTR-2C" AMR-9C Multiport repeater; 2 AUI/f	802.3	Transp.	OEM Vendor supported	Unsup.
HP-Apollo K1098 ^o	"ETH-RPTR-9C" AMR-9C Multiport repeater; 8 BNC, 1 AUI/f	802.3	Transp.	OEM Vendor supported	Unsup.
HP-Apollo K1112 ^o	"ETH-XCVR-MP8" AMT-8 Multiport MAU; 8 AUI/m, 1 AUI/m?	802.3	Transp.	OEM Vendor supported	Unsup.
HP-Apollo K1115 ^o	"ETH-XCVR-TMS3" MAU, 10Base2; 1 AUI/m, 1 BNC	AUI/m	Transp.	OEM Vendor supported	Unsup.
HP-Apollo K1116 ^o	"ETH-XCVR-03DIAG" MAU, 10Base2; 1 AUI/m, 1 BNC	AUI/m	Transp.	OEM Vendor supported	Unsup.
HP-Apollo K1117 ^o	"ETH-XCVR-02DIAG" MAU, 10Base5; 1 AUI/m, 1 N-type	AUI/m	Transp.	OEM Vendor supported	Unsup.
HP-Apollo K1118 ^o	"ETH-XCVR-3C" MAU, 10Base5; 1 AUI/m, 1 N-type	AUI/m	Transp.	OEM Vendor supported	Unsup.
	MultiTech modems				
HP-Apollo K1489 ^{oo}	MT212AH3 1200 bps	RS232, AT	NOP	Unsupported	Unsup.
HP-Apollo K1492 ^{oo}	MT224AH 2400 bps	RS232, AT	NOP	Unsupported	Unsup.
HP-Apollo K1494 ^{oo}	MT224EH (MNP5)	RS232, AT	NOP	Unsupported	Unsup.
HP-Apollo K1498 ^o	MT932EA V.32	RS232, AT	NOP	Unsupported	Unsup.
HP-Apollo K1769 ^{oo}	"RNS-ATR" Rem. Net. Switch	ATR	Unsup.	Unsupported	Unsup.
HP-Apollo TBIT-02500 ^o	Telebit T2500 modem	RS232, AT	NOP	OEM Vendor supported	Vendor
Complementary Hardware Vendors		Note: Listing of CHV devices implies no endorsement or support of them by HP. All hardware and software support claims are drawn from information published by the CHV device supplier.			

Networking Devices Support

Vendor & Product Number	Abbreviated Product Description	Type	Min. Boot ROM	Hardware Qualification and Support	HP-UX Support
Central Data, +1 (217) 359-8010		http://www.cd.com/			
<various>	RS-232C multiplexers	nsSCSI	N/A	B-Class, C-Class, J-Class, all 700 Models, K-Class (single-processor only, and with dedicated 28655A card)	9.03-9.07.1-10.01-10.20
Interphase, (214) 654-5000		http://www.ipphase.com/			
4811	FDDI interface	EISA	NOP	See Interfaces section	
Telebit, +1.508.441.2181		http://www.telebit.com/			
TrailBlazer ^o	Modem	RS232, AT	NOP	Unsupported	8.05
U.S.Robotics, (800) 342-5877		http://www.usr.com/index.html			
HST/V.32 dual std. ^o	Modem	RS232, AT	NOP	Unsupported	8.05
USR <i>Courier</i> 2400 ^o	Modem	RS232, AT	NOP	Unsupported	8.05
USR <i>Courier</i> HST ^o	Modem	RS232, AT	NOP	Unsupported	8.05

Networking Device Notes:

- | | | |
|--|---|---|
| <p>115. Requires 15-pin D-sub connector. Systems with 15-pin Micro D-sub connectors, such as Models 743 and 748 require an A4303A adaptor.</p> <p>116. See Glossary for further information on SICL.</p> <p>117. LAN servers require access to a Series 800 system or DOS PC for execution of their network management software.</p> | <p>118. DTC LAN terminal servers require access to a an HP 3000 system for execution of their network management software.</p> <p>119. Although cable modems are transparent 802.3 nodes, booting is not recommended due to performance considerations.</p> | <p>120. Booting and diskless operation through bridges, gateways and routers is not supported, and placing diskless nodes beyond the LAN segment of the server is not recommended.</p> <p>121. The 2340A and 2345A LAN terminal servers require access to a Series 800 system or DOS PC for execution of their network management software.</p> |
|--|---|---|

Interfaces

These tables list all card cages, add-on slots and interface cards about which supports are likely to arise, as well as selected VME and VXI devices.

PA-RISC Workstation Slots

The support status of cards for each of the following slots types is described in a separate table for each card type.

ISA cards are listed in the EISA table.

GSC-M and HSC cards are in the GSC table.

Processor-specific “other” cards, including Model 712 GIO and TSIO cards, are in the Processor-Specific table.

All other cards, and devices often confused with card, are in a final Miscellaneous table

PA-RISC Workstation Available Slots

SPU Model	EISA	GSC	HP-PB	HSC	PCI	SGC	VME, VXI	Other
BI32L	1 ^{122,123}	2 ¹²²	None	None	2 ¹²³ PCI-32, 3.3V, 1x	None	None	None
BI32L+	1 ^{122,123} Opt.	2 ¹²²	None	None	2 ¹²³ PCI-32, 5V, 1x	None	None	None
BI60L	1 ^{122,123}	2 ¹²²	None	None	2 ¹²³ PCI-32, 3.3V, 1x	None	None	None
BI80L	1 ^{122,123} Opt.	2 ¹²²	None	None	2 ¹²³ PCI-32, 5V, 1x	None	None	None
C100	3 ¹²²	4 ¹²²	None	None	None	None	None	None
C110	3 ¹²²	4 ¹²²	None	None	None	None	None	None
C160	3 ^{122,123}	4 ¹²²	None	None	2 ¹²³ PCI-32, 3.3V, 1x	None	None	None
C160L	3 ^{122,123}	4 ¹²²	None	None	2 ¹²³ PCI-32, 3.3V, 1x	None	None	None
C180-XP	3 ^{122,123}	4 ¹²²	None	None	2 ¹²³ PCI-32, 3.3V, 1x	None	None	None
C200	1 ^{122,123} Opt.	4 ¹²²	None	None	2 ¹²³ PCI-64, 3.3v, 4x 2 ¹²³ PCI-32, 5v, 1x	None	None	None
C240	1 ^{122,123}	4 ¹²²	None	None	2 ¹²³ PCI-64, 3.3v, 4x 2 ¹²³ PCI-32, 5v, 1x	None	None	None
EPS20								
J200	4 ¹²⁴	3 ¹²⁴	None	None	None	None	None	None
J210	4 ¹²⁴	3 ¹²⁴	None	None	None	None	None	None
J210XC	4 ¹²⁴	3 ¹²⁴	None	None	None	None	None	None
J2240	1 ¹³⁷	3 ¹³⁸	None	None	2 PCI-64 ¹³⁸ , 3.3v, 4x, 3 PCI-32 ¹³⁸ , 5v, 1x	None	None	None
J280	4 ¹²⁴	3 ¹²⁴	None	None	None	None	None	None
J282	4 ¹²⁴	3 ¹²⁴	None	None	None	None	None	None

PA-RISC Workstation Available Slots

SPU Model	EISA	GSC	HP-PB	HSC	PCI	SGC	VME, VXI	Other
K260-EG	None	None	2 double 2 single	None ¹²⁵	None	None	None	None
K460-EG	None	None	2 double 2 single	4 opt. ¹²⁵	None	None	None	Note ¹²⁶
K460-XP	None	None	2 or 4 dbl. 2 or 4 sngl.	2	None	None	None	None
MPSIO	Varies ¹²⁷	Per Console	None	None	None	Per Console	None	None
TelePACE			None	None	None			
705°	None	None	None	None	None	None	None	None
710°	None	None	None	None	None	None	None	None
712 [/any]	None	1 GIO ¹²⁸	None	None	None	None	None	1 TSIO ¹²⁹
715s [/any]	4	None	None	None	None	2	None	None
715t [/any]	1	None	None	None	None	1	None	None
715/33°, /50°	1 ^{130,131} max.	None	None	None	None	1 ¹³¹ E-SGC max.	None	None
715/64, /80	1 ¹³¹	1 ¹³¹	None	None	None	None	None	None
715/100 /100XC	1 ¹³¹	1 ¹³¹	None	None	None	None	None	None
720°	1 max.	None	None	None	None	1	None	None
725/50°, /75°	4 ^{131,132} max.	None	None	None	None	1 ¹³¹ E-SGC	None	None
725/100	4 ¹³³	3 ¹³³ GSC	None	None	None	None	None	None
730 [/50]	1 max.	None	None	None	None	1	None	None
735 [/99]	1	None	None	None	None	1	None	None
735CL°	Varies	Per Console	None	None	None	Per Console	None	None
735/125	1	None	None	None	None	1	None	None
742i	None	None	None	None	None	None	vme6Ux2 ¹³ 4	None
743i [/any]	None	2 GSC-M	None	None	None	None	vme6Ux1 ¹³⁵	None
V743 [/any]	None	2 GSC-M	None	None	None	None	Cx1 ¹³⁶	None
744/132L								
745i [/any]	4 max.	None	None	None	None	None	None	None
747i [/any]	2 max.	None	None	None	None	1	6 VME	None
748i [/any]	4	2 GSC-M	None	None	None	None	6 VME	None
750°	4 max.	None	None	None	None	2	None	None
755 [/any]	4	None	None	None	None	2	None	None

Available Slots Notes:

122. Each EISA slot is co-located with a GSC slot. Each PCI slot is co-located with a GSC slot. Once a slot is used for one card type, it becomes unavailable any other card type.

123. One of the EISA slots shares a bulk-head with one of the PCI slots.

124. 2 slots are shared EISA/GSC

125. The HSC slot on the multi-function I/O card is occupied by the standard VISUALIZE-EG graphics adaptor. This slot is available if the configuration permits removal of that card.

126. One dedicated system bus slot is available for VISUALIZE-48XP graphics or the optional 4 HSC slots.

127. The 802.3 cluster has one EISA slot available. The FDDI cluster has none.

128. The "GIO" (General I/O) slot is a Model 712-specific GSC slot and accepts only 712-specific cards, including the A4011A, A4013A, A4014A, A4015A, and A2878A.

- 129. The "TSIO" (TeleShare I/O) slot in the Model 712 accepts only the A4012AA card.
- 130. Slot not available if HCRX graphics installed.
- 131. This slot supports co-located EISA and GSC or SGC, which share the bulkhead. Use of the slot for one type of card prevents use of the slot for any other card.
- 132. Reduced to 3 slots in the CRX24Z or CRX48Z configuration.
- 133. 3 of the EISA slots are co-located with the 3 GSC slots. 1 GSC (and EISA) slot is lost if a fast-wide disk Option is specified. Another GSC (and EISA) is lost if HCRX graphics is specified.
- 134. The 742i is a 2-slot VME 6U card.
- 135. The 743i is a 1-slot VME 6U card.
- 136. The V743 is a 1-slot C-size VXI card.
- 137. Requires purchase of A4955A#0D1 kit w/ original purchase of processor.
- 138. Two GSC slots co-located with PCI-64 slots, one GSC slot co-located with a PCI-32 slot.

Workstation SCSI

Although workstation SCSI conforms to ANSI SCSI-2 or SCSI-3, these notations are insufficiently precise to indicate compatibility.

The tables in this document use the notation “<rbv>SCSI”, where:

<r>=Data Rate, max.

“ “ 5 Mbytes/sec

“f” “fast” (10 or 20 MB/sec)

“u” “Ultra” (20 or 40 Mb/sec)

<w> = Bus Width:

“n” 8-bit narrow

“w” 16-bit “Wide”

<v> = Signalling Voltage Mode

“s” Single-ended 5V

“d” Differential 5V

“l” Low voltage 3.3V

Bus width (8- or 16-bit) and line drivers (single-ended, differential or low-voltage differential signalling voltage) are the critical criteria.

Connector styles are also significant, but are presently beyond the scope of this document. Refer to the Workstations Configuration and Order Guides for a SCSI cable matrix.

SCSI Notation

Abbreviation	Description	Comment
fnsSCSI nsSCSI	8-bit, single-ended	nsSCSI is standard on all workstations, and some add-on cards are available. Some mcSCSI and most UltraSCSI devices are compatible with an nsSCSI interface.
fndSCSI ndSCSI	8-bit, differential	Only the 25525A/B EISA interface supports ndSCSI. External converters (unsupported) are available to interconnect nsSCSI and ndSCSI.
fwsSCSI	Fast, 16-bit, single-ended	(Ultra) fwsSCSI interfaces are available on new B- and C-Class systems. No add-in card is presently available from HP for workstations. Cards are available from Complementary Hardware Vendors.
fwdSCSI	Fast, 16-bit, differential	Built-in and plug-in fwdSCSI is available in several forms. Wide-to-narrow external cables and converters are not supported.
unsSCSI	UltraSCSI, 8-bit, Single-Ended	No unsSCSI interface presently available from HP for workstations. unsSCSI devices may generally be used with an nsSCSI interface (although not at full performance).
uwsSCSI	UltraSCSI, 16-bit, Single-Ended	uwsSCSI interfaces are available on new B- and C-Class workstations.
uwdSCSI	UltraSCSI, 16-bit, Differential	No uwdSCSI interface presently available from HP for workstations. uwdSCSI devices are generally compatible with an fwdSCSI interface (although not at full performance).
lvdSCSI	UltraSCSI, 16-bit, Low Voltage Differential	No lvdSCSI interface presently available from HP for workstations.
Other Notations		
mcSCSI	Apple Macintosh-compatible nsSCSI.	This implies that a 25-pin D-sub connector is present (usually at the device), and that such a device, if supported, must be the last device on the bus.
xxSCSI	Unspecified SCSI	Various SCSI interface options are available for the device, but not all are supported.

Wide (host) to narrow (device) cables are not supported on workstations.

Signal converters (such as nsSCSI-ndSCSI) exist, but none are presently supported on workstations.

As long as the bus width and signalling match, the interface and device can negotiate the fastest mutually supported data rate. It is possible to use an “ultra” device on a “fast” interface, and vice-versa.

Devices which supported only the 1.5 MB/sec asynchronous mode may be used with any interface having compatible width and line drivers.

All workstation “narrow” SCSI interfaces are “fast”-capable.

The only penalties for using a device that is faster than the interface are:

- reduced max cable length, and
- the device will not operate at full speed.

For customers desiring to connect unsupported SCSI devices, an ioctl-level API is provided, but software driver source is not presently available.

I/O Slots/Cages/Expanders

Some processor models accept expansion kits to add I/O slots.

Where such kits are not available, an external EISA or PCI expander may be a possible solution.

There are no external GIO, GSC, HSC or SGC expanders.

Backplanes, Slots/Adaptors & Card Cages

Vendor& Product Number	Abbreviated Product Description	Type	Min. Boot ROM	Hardware Qualification and Support	HP-UX Support
HP A1401A°	DIO-II to DIO slot adaptor	DIO-II	NA	No DIO-II slots	NA
HP A1460A°	Add 4 EISA slots	s400	NA	Incompatible	NA
HP A1467A°°	VMEbus expander	s400	NA	Incompatible. Select Model 74xi.	NA
HP A1828A	14 slot expansion	HP-PB	Unsup.	Unsupported	Unsup.
HP A2804A	EISA slot	SGC	IODC 1.1	Model 715/33 (without CRX-24)	9.0-10.20
HP A2943A	Upgrade from 2 to 4 slots	HP-PB	Unsup.	E-Class device	Unsup.
HP A2990A	4-Slot HSC Expansion Kit	HP-PB		K400-Series Models	10.20
HP A3185A	4-Slot HP-PB Expansion Kit	HP-PB		EPS20	10.01
HP A3186A	2-Slot HSC Expansion Kit	HP-PB		EPS20, K400-Series Models	10.20
HP A4000A°	7-slot VME cage	VME	NOP	Model 742i	9.05-9.07
HP A4001A°	22-slot VME cage	VME	NOP	Model 742i	9.05-9.07
HP A4219A	Model 744 expansion kit	GSC-M	Any	Models 743, 744, 748/64, 748/100, 748/132L, 748/165L	10.20-11.0/32
HP A4262A	Model 743 expansion kit (required for GSC-M cards, adds 2 GSC-M slots)	743	Any	TelePACE, Models 743, 748/64, 748/100	9.05-11.0/32
HP A4269A	PCMCIA Type II adaptor	743		Models 743, 748	
HP A4350A	Mass Storage tray upgrade.	Tray	Any	TelePACE, Model 748/lalll	9.03-11.0/32
HP A4504A	PMC Bridge Board	Daughter		Models 743, 744, 745/132L, 748/lalll	10.20-11.0/32
HP A4505A	4 Slot PCI Module upgrade. Adds 4 PCI slots (5V), disables EISA and HIL.	Tray		Models 748/lalll	10.10-11.0/32
HP A4509A	PMC Bridge Board Expansion	Daughter		Models 743, 744, 745/132L, 748/lalll	10.20-11.0/32
HP A4542A°	EISA slot for B132L+ or B180L, factory-integrated only	Backplane	NOP	Models B132L+ and B180L	10.20-11.0/32
HP A4546A°	EISA slot for C200, factory-integrated only. Standard on C240.	Backplane	NOP	Model C200	10.20-11.0/32
HP A4955A	EISA slot for J2240, factory-integrated only.	Backplane	NOP	Model J2240	10.20-11.0/32
HP A4980A	4-slot PCI Module	Daughter		Model 745/132L	10.20-11.0/32
HP E1300/01A°/B	VXI A-size mainframe, 3-slot	VXI	NOP		
HP E1302A	VXI B-size mainframe, 20-slot	VXI	NOP		
HP E1401A°	VXI C-size mainframe, 13-slot, P1/P2	VXI	NOP	Model V743	9.05
HP E1401T	VXI C-size devel. mainframe, 11-slot	VXI	NOP	Model V743	9.05
HP E1421A°	VXI C-size mainframe, 6-slot	VXI	NOP	Model V743	9.05
HP E2910A	PCI Bus Exerciser	ISA	N/A	Unsupported	None
HP E4220A°	VXI C-size cage, w/color VGA CRT, PS2 and HIL ports	VXI			
HP E8401A	VXI C-size mainframe, 13-slot	VXI-C			
HP E8402-04A	VXI C-size mainframes, 13-slot with Enhanced Monitor	VXI-C			
HP S2295A	Full 7-slot EISA Expander	EISA	Any	Models 715 l/alll, 720, 730	9.03-9.07

Backplanes, Slots/Adaptors & Card Cages

Vendor& Product Number	Abbreviated Product Description	Type	Min. Boot ROM	Hardware Qualification and Support	HP-UX Support
HP S2399A°	Limited 6-slot EISA expander	EISA	Some	All Models	Transp.
HP Z5177A	PCMCIA slot adaptor	GSC-M	N/A	Model 743	Unsup.
Complementary Hardware Vendors		Note: Listing of CHV devices implies no endorsement or support of them by HP. All hardware and software support claims are drawn from information published by the CHV device supplier.			
Bit3 Computer Corporation, Minneapolis MN, +01 612-881-6955		http://www.bit3.com			
2101	PCI-PCI Expansion Unit, 7 slot	PCI-5	Unsup.	See Note ¹³⁹	10.20
MDL Corp.,		http://www.mdlcorp.com			
EX700	EISA Expander	EISA		Models 715, 720, 730 or 735	

139. This unit is not supported on PA-RISC workstations by HP or by Bit3, but has been used in PCI development testing. Because 4 of the 7 slots are bridged off the first 3 slots, which are bridged off the host computer's PCI bus, any cards in the last 4 slots

are at the present HP-UX limit of 2 bridges. Any cards in the final 4 slots must be single-function, as multi-function cards are commonly implemented via an on-card additional bridge.

Interface and Host Adaptor Cards

These tables list all EISA, GIO, GSC, GSC-M, HP-PB, HSC, ISA, PCI, SGC, E-SGC, TSIO cards and add-on slots about which support questions are likely to arise, as well as selected VME and VXI devices.

Details on supported video cards are cross-referenced to the Graphics Video section of this document.

An HP-IB connection is also available via the E2050A external LAN adaptor (see Networking Devices section).

Test & measurement VME and VXI cards, for use with the 740-series SPU's, in general are not listed, as they are beyond the scope of this document.

Processor-Specific Cards

(Including GIO, TSIO)

Details on supported video cards are cross-referenced to the Graphics Video section of this document.

Standard GSC cards have an EISA form factor.

GIO (General I/O) and TSIO (Tele-Share I/O) are GSC form factors specific to the Model 712.

The "Min. Boot ROM" column indicates the minimum revision of PDC/IODC ROM code required to boot an

operating system, recovery system or diagnostic kernel from or through the device, or use that device as console. "Transp." means that the device is transparent to software.

Processor-Specific Cards (Including GIO, TSIO)

Vendor& Product Number	Abbreviated Product Description	Type	Min. Boot ROM	Hardware Qualification and Support	HP-UX Support
HP A1986A	EISA slot for Model 720	SGC	⇒	See SGC (and DIO-II) Cards	⇐
HP A2089-66530	Video/Audio for 715s/t	SGC	⇒	See SGC (and DIO-II) Cards	⇐
HP A2654A	FDDI Single, Daughter i/f	755	NOP	Model 755 ¹⁴⁰	9.0-10.10
HP A2658A	802.3 AUI Daughter	735	IODC 1.1	Model 735	9.0-10.10
HP A2665A	FDDI Daughter i/f	735	NOP	Model 735	9.0-10.10
HP A2831A	802.3 10Base2 ThinLAN Daughter	735	IODC 1.1	Model 735	9.0-10.10

Processor-Specific Cards (Including GIO, TSIO)

Vendor& Product Number	Abbreviated Product Description	Type	Min. Boot ROM	Hardware Qualification and Support	HP-UX Support
HP A2878A	712 2nd video	GIO	⇒	See Graphics Video section	⇐
HP A2889A	fwdSCSI interface	Daughter	Any	Models B132L and B160L only (not B132L+)	10.20-11.0/32
HP A2991-60001	Access Port modem	Daughter	Any	Models C160, C180, C200 and C240 only (excludes C160L)	10.20
HP A3262-69211	Access Port (consumes topmost combined GSC+EISA slot)	Custom +GSC	Any	Models C160, C180, C200 and C240 only (excludes C160L)	10.20
HP A4011A	802.5 Token Ring interface	GIO	Any	Model 712	9.03-9.07
HP A4011B	802.5 Token Ring interface	GIO	Any	Model 712	10.01-10.10
HP A4012A°, HP A4012AJ°	TeleShare POTS interface, analog RJ11C	GIO	Any	Model 712	9.05-9.07√
HP A4013A°	Second serial port interface	GIO	Any	Model 712	9.03-11.0/32
HP A4014A	Second LAN (802.3, AUI and 10BaseT) plus 2nd serial port interface	GIO	Any	Model 712	9.03-11.0/32
HP A4015A	2nd serial & X.25 Link w/DB9M RS-232C connects	GIO	Any	Model 712	9.03 (w/J2232A Streams)-10.20
HP A4217A°	Dual head/dual LAN	GIO+TSIO	Any	Model 712	9.03-10.20
HP A4625A	Hi-Res kit	VRAM	⇒	See Graphics Video section	⇐
Complementary Hardware Vendors		Note: Listing of CHV devices implies no endorsement or support of them by HP. All hardware and software support claims are drawn from information published by the CHV device supplier.			
Test and Measurement Systems, Loveland CO, 970-669-6553		http://www.tamsinc.com/			
TAMS 50488	HP-IB interface	GIO	N/A	Model 712	9.01-9.07 ⊥ 10.01-10.20

Processor-Specific Card Notes:

140. Not supported on Dual CRX24 or Quad CRX CRX systems. Use an EISA FDDI card.

EISA and Selected ISA Cards

Note: HP-UX 10.20 is the final release of workstation HP-UX that supports EISA cards.

An EISA slot may be used for any supported ISA card. Note that EISA slots are optional on some recent SPUs, and may only be ordered with the original system purchase.

The “Min. Boot ROM” column indicates the minimum revision of PDC/IODC ROM code required to boot an operating system, recovery system or diagnostic kernel from or through the

device, or use that device as console. “Transp.” means that the device is transparent to software.

Note: The HP PA-RISC Device I/O Library [DIL] is not fully implemented on PA-RISC Workstation HP-UX. In particular HP-IB support is limited to simple (non-AMIGO, non-CIPER) I/O for printers and plotters, and only via the 25560A EISA interface.

A Standard Instrument Control Library [SICL, HP E2091D, see Glossary] is available but it does not sup-

port non-instrument computer peripherals, and supports only the E2070A/B, E2071A ISA HP-IB and E2074A ISA GPIO cards, and does not support the 25560A EISA HP-IB interface.

An HP-IB connection is also available via the E2050A external LAN adaptor (see Networking Devices section).

For information on SCSI abbreviations, see “SCSI Notation” on page 127.

EISA and Selected ISA Cards

Vendor& Product Number	Abbreviated Product Description	Type	Min. Boot ROM	Hardware Qualification and Support	HP-UX Support
HP A1083A°	IGC 20 Video Interface	ISA	NOP	Unsupported	No driver
HP A1086A°	IGC 10 Video Interface	ISA	NOP	Unsupported	No driver
HP A1905A°	Parallel kit	ISA	NOP	Unsupported	Unsup.
	Apollo Token Ring				
HP A2544A°	ATR/9000 Link	EISA	NOP	All EISA Models	8.07-9.07∇
HP A2545A°	ATR/9000 Link & EISA slot	EISA	NOP	Model 720	8.07-9.07∇
HP A2679A	Fast SCSI-2 host adaptor (nsSCSI)	EISA	Unsup.	All EISA Models except J-Class. C-Class and B-Class require card PCO revision A-0003 or later.	9.0-11.0/32
HP A3402A ¹⁵⁰	10/100VG LAN Link	EISA	NOP	All EISA Models	9.0-10.20∇, requires J2655AA°
HP A3658A	100BaseT Interface	EISA	N/A	D-Class only, use A4308A	Unsup.
HP A3659A	FDDI Interface	EISA	N/A	D-Class device	Unsup.
HP A4031A°	FiberChannel 266 Mbps	EISA	NOP	All EISA Models	9.03-11.0/32 w/B2904AB s/w
HP A4308A°/B	100BaseT Interface	EISA	N/A	All EISA Models	10.20-11.0/32 ¹⁴⁸
HP BINTS0X70°°	ISDN	EISA	NOP		
HP BINT-4S0700	ISDN	EISA	NOP		
HP BINT-S2P700	ISDN	EISA	NOP		
HP BINT-S0P700	ISDN	EISA	NOP		
HP B5502AA	FDDI Interface	EISA	N/A	All EISA Models	9.05-11.0/32 ¹⁴⁷
HP C1574A	Adaptec AHA-1510A nsSCSI card	ISA	NOP	Unsupported	No driver
HP C1752A°	mcSCSI card for ScanJet-IIc	ISA	NOP	Unsupported	No driver
HP C2502°A/B	mcSCSI card for ScanJet-IIcx (C2502-60001)	ISA	NOP	Unsupported	No driver
HP C3605A°	SCSI Host Bus Adaptor	ISA	Unsup.	Unsupported	No driver
HP C3609A	Dual channel disk array controller	EISA	Unsup.	Unsupported	No driver
HP D1171A°°	HP-HIL interface	ISA	Unsup.	Unsupported	No driver
HP D1180A°°	VGA card w/256 Kb	ISA	Unsup.	Never supported	No driver

EISA and Selected ISA Cards

Vendor& Product Number	Abbreviated Product Description	Type	Min. Boot ROM	Hardware Qualification and Support	HP-UX Support
HP D1677A ^{oo}	ESDI controller	ISA	Unsup.	Never supported	No driver
HP D1681A ^o	SCSI Host Adaptor (PC)	EISA	NOP	Unsupported	No driver
HP D1682A ^o	SCSI Host Adaptor (PC)	ISA	NOP	Unsupported	No driver
HP D2040A ^o	Terminal multiplexer	ISA	NOP	Unsupported	No driver
HP D2078A ^o /B	Fast SCSI-2 host adaptor for HP Net-Server	EISA	NOP	Unsupported	No driver
HP D2378A ^o	802.5 Token Ring	ISA	NOP	Unsupported	No driver
HP D2325A ^{oo}	Ultra VGA interface	ISA	NOP	Unsupported	No driver
HP D2382A ^{oo}	Super VGA interface	ISA	NOP	Unsupported	No driver
HP D2410A ^{oo}	AID interface	ISA	NOP	Never supported	No driver
HP D2649A ^o	SCSI Host Adaptor (PC)	EISA	NOP	Unsupported	No driver
HP D5182A	Audio card	ISA	NOP	Unsupported	No driver
HP E1483A ^o	VXlink interface	ISA		Unsupported	No driver
HP E1489C HP E1489I ^o /B ^{oo}	MXI interface	EISA	NOP	All EISA Models	SICL ¹⁴¹ 8.05-9.07 ⊥ 10.01 ⊥ 10.20 ∇
HP E2070C HP E2070A ^o /B ^o	HP-IB Interface, std.speed, for instruments	ISA	NOP	All EISA Models	SICL ¹⁴¹ 8.05-9.07 ⊥ 10.01 ⊥ 10.20 ∇
HP E2071A/B/C/I	HP-IB Interface, high speed, for instruments	EISA	NOP	All EISA Models	SICL ¹⁴¹ 8.05-9.07 ⊥ 10.01 ⊥ 10.20 ∇
HP E2074A ^o /B	GPIO Interface	EISA	NOP	All EISA Models	SIC ¹⁴¹ 8.05-9.07 ⊥ 10.01 ⊥ 10.20 ∇
HP E2075A	GPIO Interface for Win95	ISA	NOP	Unsupported. Use E2074A	Unsupported
HP E2777A	FDDI interface for HP 83000	EISA	NOP	Supported in HP 83000 IC test config only	
HP E2790A	GPIO interface for HP 83000	EISA	NOP	Supported in HP 83000 IC test config only	
HP FC20	<i>Jumbo 250</i> controller	ISA	NOP	Unsupported	No driver
HP J2102A ^{oo}	ISDN BRI	ISA	NOP	Unsupported	Unsup.
HP J2104A ^o	ISDN Basic Rate Interface	ISA	NOP	All EISA Models	8.07 w/J2105A
HP J2109A ^o	ISDN BRI (USA)	ISA	NOP	All EISA Models	9.03-9.07
HP J2156A ^o	FDDI-single MIC interface (suggested replacement is B5502AA)	EISA	NOP	All EISA Models, subject to HP-UX version limits.	8.07-9.07 ∇
HP J2159A	X.25 interface	EISA	NOP	All EISA Models ¹⁴²	8.07-10.20 ∇
HP J2165A ^o	IEEE 802.5 token ring i/f	EISA	NOP	All EISA Models	8.07-9.07 ⊥ 10.01-11.0/32
HP J2220B #002	EISA PSI (programmable serial interface - protocol depends on software)	EISA	NOP	All EISA Models	10.10-11.0/32
HP J2226A #UG3	SNAplus Link (interface) Option required (supplies card)	EISA	NOP	All EISA Models	8.07-11.0/32 9.0x requires J2232A Streams
HP J2260A	802.3 interface	ISA	NOP	Unsupported	Unsup.
HP J2261A	802.5 interface	ISA	NOP	Unsupported	Unsup.
HP J2405A ^o	LAN Adaptor NC/16	ISA	NOP	Unsupported	Unsup.
HP J2482A	8-Port RS-232C Multiplexer	EISA	NOP	All EISA Models (per NCD)	10.01 ¹⁴³ -11.0 ∇

EISA and Selected ISA Cards

Vendor& Product Number	Abbreviated Product Description	Type	Min. Boot ROM	Hardware Qualification and Support	HP-UX Support
HP J2483A	64-Port RS-232C Multiplexer	EISA	NOP	ESY: D-Class servers. Not officially supported on workstations.	10.01 ¹⁴³ -11.0 ∇
HP J2573A°	10/100VG LAN Adaptor	ISA	NOP	Unsupported	Unsup.
HP J2577A	10/100VG LAN Adaptor	EISA	NOP	Unsupported	Unsup.
HP J2615A	LAN interface	ISA	NOP	Unsupported	Unsup.
HP J2645AA° Notes ^{144,150}	10/100VG LAN Link	EISA	NOP	All EISA Models	9.0-11.0/32, requires J2655AA°
HP J2794A	X.25, high performance	EISA	NOP	All EISA Models	10.01-11.0/32
HP J2802A°	ATM adaptor, OC3/155 Mbps	EISA	NOP	700 EISA Models. Cannot be used with J2498A.	9.0-9.07 w/J2806Ax
HP J2802B°	ATM adaptor, OC3c/STS-3c/155 Mbps	EISA	NOP	700 EISA Models. Cannot be used with J2498A.	10.01-10.20 ∇ w/J2806Bx
HP J2815A	Dual Port PSI card (protocol depends on software purchased)	EISA	NOP	All EISA Models	10.01-11.0/32
HP J3239A°	<i>DeskDirect</i> EL-10, LAN Combo	ISA	NOP	Unsupported	No driver
HP S2399A	Limited 6-slot EISA expander	EISA		See Backplanes, Slots/Adaptors & Card Cages table	
HP SC-50°°	<i>PowerTape</i> nsSCSI i/f	ISA	Unsup.	Unsupported	Unsup.
HP TC-15°°	<i>Jumbo</i> i/f with compression	ISA	Unsup.	Unsupported	Unsup.
HP Z1100A°	RasterOps VideoLive	EISA	NOP	All EISA Models	8.07 (no 10.0)
HP Z7048A#001	Dialogic D/240SC-T1	ISA	NOP	All EISA Models	9.05-9.07 ⊥ 10.20
HP Z7048A#002	Dialogic D/320SC+DTI/212	ISA	NOP	All EISA Models	9.05-9.07 ⊥ 10.20
HP Z7048A#003	Dialogic D/300SCTE1	2xEISA	NOP	All EISA Models	9.05-9.07 ⊥ 10.20
HP Z7400A	ACC, 8-channel, card only	EISA	NOP	All EISA Models	10.01-10.20 ∇
HP Z7401/02A	ACC, 8-channel	EISA	NOP	All EISA Models	10.01-10.20 ∇
HP 24540B°	Serial/parallel i/f	ISA	NOP	Unsupported	Unsup.
HP 24541B°	Dual Serial i/f	ISA	NOP	Unsupported	Unsup.
HP 24550A°°	1200 bps modem	ISA	NOP	Never supported	Unsup.
HP 24551°°A/B	2400 bps modem	ISA	NOP	Never supported	Unsup.
HP 25523A°°	8-bit Single-Ended SCSI-II (nsSCSI-II). Special product - replaced by A2679A	EISA		Factory Special	Factory Special
HP 25525A°°	8-bit Differential SCSI-II (ndSCSI) interface	EISA		Models 720, 730, 735 l/alll, 750, 755 l/alll	8.05-10.20 ∇
HP 25525B°	8-bit Differential SCSI-II (ndSCSI) interface	EISA		All EISA Models except J-Class	8.05-11.0/32
HP 25560A°	HP-IB, high speed	EISA	NOP	All EISA Models	8.05-10.20 ∇

EISA and Selected ISA Cards

Vendor& Product Number	Abbreviated Product Description	Type	Min. Boot ROM	Hardware Qualification and Support	HP-UX Support
HP 25567A ^{oo}	LAN, IEEE-802 Thin/AUI	EISA		EISA Models MPS10, 715 I/all, 720, 725/33, 725/50, 725/75, 730, 735 I/all, 745 I/all, 747 I/all, 750, 755 I/all Non-functional on C-Class.	8.05-10.20 [∇]
HP 25567B ^o	LAN, IEEE-802 Thin/AUI	EISA		TelePACE, EISA Models MPS10, 715 I/all, 720, 725/33, 725/50, 725/75, 730, 735 I/all, 745 I/all, 747 I/all, 748i, 748/132L, 748/165L, 750, 755 I/all Non-functional on C-Class.	8.05-11.0/32
HP 27209A ^{oo}	HP-IB (aka 88990A)	ISA	NOP	Never supported - Use E2070x	Unsup.
HP 27210 ^{oo}	ThinLAN interface	ISA	NOP	Never supported	No driver
HP 27236A ^{oo}	StarLAN 10 interface	ISA	NOP	Never supported	No driver
HP 27245/47A/B ^o	EtherTwist 8/16 interface	ISA	NOP	Unsupported	No driver
HP 27248A ^o	EtherTwist interface	EISA	NOP	Unsupported	No driver
HP 27250A ^{oo}	ThinLAN interface	ISA	NOP	Unsupported	No driver
HP 27252A ^o	ThinLAN interface	ISA	NOP	Unsupported	No driver
HP 78360B	SDN (Medical) i/f	ISA	NOP		
HP 82300 ^o	BASIC Lang. proc.	ISA	NOP	Unsupported	No driver
HP 82306A	GPIO for 82300	ISA-DIO	NOP	Not functional	No I/O path
HP 82324A	BASIC Lang. proc.	ISA	NOP	Unsupported	No driver
HP 82328A ^{oo}	Intelligent Graphics Card	ISA	NOP	Never supported	No driver
HP 82335A ^{oo} /B	HP-IB-II interface	ISA	NOP	Never supported - Use E2070x	Unsup.
HP 82340 ^{oo} A/B	HP-IB interface	ISA	NOP	Unsupported - Use E2070x	Unsup.
HP 82341A ^o /B ^o HP 82341C	HP-IB interface, high-speed	EISA	NOP	Unsupported - Use E2071x	Unsup.
HP 88141A ^o	<i>JetScript</i> i/f for <i>LaserJet-II</i>	ISA	NOP	Unsupported	No driver
HP 88295A ^o	<i>ScanJet</i> -interface	ISA	NOP	Unsupported	No driver
HP 88500 ^{oo} A/B	CS/80 HP-IB interface	ISA	NOP	Never supported. Use 25560A.	No driver
HP-Apollo A-ADD-PCC ^{oo}	DOS co-processor	ISA	NOP	Never supported	No driver
HP-Apollo A-ADD-SPE ^{oo}	Apollo serial/par	ISA	NOP	Never supported	No driver
HP-Apollo A-ADD-SWFC ^o	nsSCSI controller	ISA	NOP	Unsupported	No driver
HP-Apollo A-ADD-WFC ^o	ESDI controller	ISA	NOP	Unsupported	No driver
HP-Apollo A-NET-ATR ^o	Apollo Token Ring	ISA	NOP	400 Upgrades only. Use A2544A or A2545A	8.07-9.07 [∇]
HP-Apollo A-NET-ETH ^o	IEEE-802.3 i/f	ISA	NOP	Unsupported	No driver
HP-Apollo A-NET-ITR ^o	IBM token ring i/f	ISA	NOP	400 Upgrades only. Use J2165A	9.0-9.07 ^{145∇}
HP-Apollo APLR-386 ^o	386 Co-processor	ISA	NOP	Unsupported	No driver
HP-Apollo COM-PCI-RGB ^{oo}	ATR host adaptor	ISA	NOP	Never supported. Use AA2544A or A2545A	No driver
HP-Apollo KIT-CENTx	Parallel interface	ISA	NOP	User supported	Sample ¹⁴⁶
HP-Apollo K1094 ^o	"ETH-LINK-II" 3COM i/f	ISA	NOP	Unsupported. Use A25567B or J2645AA	No driver

EISA and Selected ISA Cards

Vendor& Product Number	Abbreviated Product Description	Type	Min. Boot ROM	Hardware Qualification and Support	HP-UX Support
HP-Apollo K1493 ^{oo}	224PC modem + MNP5 compr.	ISA	NOP	Unsupported	No driver
HP-Apollo K1496 ^o	2400/1200/300 bps modem	ISA	NOP	Unsupported	No driver
HP-Apollo K1623 ^{oo}	"PTR-PAR-BOARD"	ISA	NOP	Unsupported	No driver
HP-Apollo SCATION/R-	X.25 interface	ISA	NOP	Unsupported. Use J2159A	No driver
Complementary Hardware Vendors		Note: Listing of CHV devices implies no endorsement or support of them by HP. All hardware and software support claims are drawn from information published by the CHV device supplier.			
Bit3 Computer Corporation, Minneapolis MN, +01 612-881-6955		http://www.bit3.com			
487-1	EISA-to-VME Adaptor	EISA	Unsup.	All EISA Models	Note ¹⁴⁹
Cisco		http://www.cisco.com/			
<various>	FDDI/CDDI adaptors	EISA	NOP	See Interphase	
Interphase, (214) 654-5000		http://www.iphase.com/			
WA-C321T-UX WA-C323T-UX WA-C326T-UX WA-C328T-UX	(formerly CISCO products) FDDI single-attach adaptor CDDI single-attach adaptor FDDI dual-attach adaptor CDDI dual-attach adaptor	EISA	NOP	Vendor: All EISA Models	8.x, 9.x, 10.0
4811	FDDI interface, X3T9.5, single MIC, single/dual UTP, single/dual STP	EISA	NOP	Vendor: All EISA Models	9.03 ⊥ 10.x
4824	100BaseT/10BaseT Adaptor	EISA	NOP	Vendor: All EISA Models	10.x
MDL Corp, (425) 861-6700		http://www.mdlcorp.com			
FAWS, single-ended	fwsSCSI interface	EISA		All EISA Models	
FAW, differential	fwdSCSI	EISA		All EISA Models	
Parallax		http://www.parallax.com/home.html			
XVideo700	Video export/import	EISA	NOP	Vendor supported	9.05-9.07 ⊥ 10.10
Qualix (Icon West), (415) 572-0200		http://www.qualix.com/			
IW-H100-	Phobos 100BaseT	EISA	NOP	Vendor supported	
SBE		http://www.sbei.com/marketng			
WSU-432D	Fast Wide SCSI differential interface (fwdSCSI)	EISA	NOP	Vendor: All EISA Models	9.01-
WSU-432S	Fast Wide SCSI single-ended interface (fwsSCSI)	EISA	NOP	Vendor: All EISA Models	9.01-
TransERA		http://			
___	GPIO card	EISA	NOP		

EISA/ISA Card Notes:

- | | | |
|---|--|--|
| <p>141. See SICL in Glossary for detailed support information.</p> <p>142. Not supported on SMP Models configured with more than one processor (e.g. J210, J282).</p> <p>143. Requires driver software product J2467A^o (10.01) or J2467B (#APH for 10.01, #APS for 10.10).</p> | <p>144. This card is not supported for use in a system that also has a J2498A (GSC) or J2803B (HSC) ATM 155 card installed.</p> <p>145. Must replace with alternate hardware at 10.0. B5502AA recommended for 10.20 and later.</p> | <p>146. The source code for an unsupported sample driver is provided in the Self-Paced Driver Training kit, HP part number A1421-67901.</p> <p>147. Requires B5503AA license.</p> <p>148. Requires B5500AA license.</p> <p>149. Requires Bit3 Model 933 software. HP-UX version support unspecified.</p> |
|---|--|--|

150. Although the interface card supplied with product J2645AA is still available in the A3402A product, the necessary J2655A software is no longer available.

GSC, GSC-Mezzanine and HSC Cards

Details on supported video cards are cross-referenced to the Graphics Video section of this document.

Standard GSC cards have an EISA form factor.

GSC-M (GSC Mezzanine) cards have a 3x5-inch form factor with a VME Mezzanine cover plate. An adaptor kit may be required to use any GSC-M cards.

HSC cards are identical to GSC-M card except for the cover plate (they are not interchangeable, however).

HSC cards are presently supported only on EPS and K-Class PA-RISC Workstations.

HP-PB (HP Precision Bus, aka "HP-NIO") cards have a form-factor generally similar to VME 3U (single-high HP-PB) or VME 6U (double-high HP-PB) cards. A double-high HP-PB slot accommodates only one single-high HP-PB card.

GIO (General I/O) and TSIO (Tele-Share I/O) are GSC form factors specific to the Model 712, and are described in a table on page 129.

The "Min. Boot ROM" column indicates the minimum revision of PDC/IODC ROM code required to boot an operating system, recovery system or diagnostic kernel from or through the device, or use that device as console. "Transp." means that the device is transparent to software.

Note: The HP PA-RISC Device I/O Library [DIL] is not fully implemented on PA-RISC Workstation HP-UX. In particular HP-IB support is limited to simple (non-AMIGO, non-CIPER) I/O for printers and plotters, and only via the 25560A EISA interface.

GSC, GSC-Mezzanine and HSC Cards

Vendor& Product Number	Abbreviated Product Description	Type	Min.Boot ROM	Hardware Qualification and Support	HP-UX Support
HP A2874-66005	Fast Wide SCSI See A4107A	GSC	⇒	See A4107A	⇐
HP A2969A	fwdSCSI Interface, HD68	HSC 3x5	Any	EPS20, K400-Series	10.01-10.20
HP A2999A	Graphics Adaptor	HSC 3x5	⇒	See Graphics Video section	⇐
HP A3262-6921I	Access Port (consumes topmost combined GSC+EISA slot)		⇒	See Processor-Specific Cards section	⇐
HP A3404A	Fibre Channel, 1063 Mbps (Mass Storage only)	HSC 3x5	No	EPS, K-Class	10.20
HP A3406A	Fibre Channel Model 266 (Datacomm only)	HSC 3x5	No	EPS20, Model K420, maximum of 5 cards per SPU	10.10-11.0 w/ J2390AA
HP A3519A	HP VISUALIZE-EG	HSC, EVC	⇒	See Graphics Video section	⇐
HP A3591A	HFC Fibre Channel, 1063Mbps	GSC	⇒	Unsupported. D-Class only.	⇐
HP A3636A	1 GB Fibre Channel interface	HSC	⇒	Unsupported. T-Class only	⇐
HP A3638A	266 Mbps Fibre Channel interface	HSC	⇒	Unsupported. T-Class only	⇐
HP A3644A	fwdSCSI Interface, HD68	HSC	⇒	Unsupported. T-Class only	⇐
HP A3699A	HSC to HP-PB bus converter	HSC		K-Class	
HP A3722A	FDDI interface	HSC 3x5	N/A	K-Class	10.20, w/J3701AA
HP A3723A	FDDI interface	GSC	N/A	All GSC (EISA FF) Models	10.20-11.0/32, w/ J3629AA
HP A4070A°/B°	HyperCRX8 video adaptor	GSC	⇒	See Graphics Video section	⇐
HP A4071A°/B	HyperCRX24 video adaptor	GSC	⇒	See Graphics Video section	⇐
HP A4073A°/B°	HyperCRX48Z video adaptor	GSC	⇒	See Graphics Video section	⇐
HP A4077A°/B	CR8 2D video adaptor	GSC	⇒	See Graphics Video section	⇐
HP A4107A	Fast Wide SCSI-2 host adaptor	GSC		B-Class, C-Class, J-Class, Models 715/100XC ¹⁵¹ , 725/100	9.05-11.0
HP A4246A	HP VISUALIZE-48XP	GSC ¹⁵² , EVC	⇒	See Graphics Video section	⇐
HP A4248A	Video Export Board	GSC Daughter	⇒	See Graphics Video section	⇐
HP A4253-6900I	Freedom interface	GSC	Any	Models 715/80, 715/100, J200, J210	9.05

GSC, GSC-Mezzanine and HSC Cards

Vendor& Product Number	Abbreviated Product Description	Type	Min. Boot ROM	Hardware Qualification and Support	HP-UX Support
HP A4267A	8-plane graphics	GSC-M	⇒	See Graphics Video section	⇐
HP A4268A	Fast Wide SCSI	GSC-M	Any	TelePACE, Models 743 ¹⁵³ , 744, 748i, 748/132L, 748/165L	9.05-11.0/32
HP A4315A	HCRX-8VME	Large GSC-M	⇒	See Graphics Video section	⇐
HP A4316A	HCRX-24VME	Large GSC-M	⇒	See Graphics Video section	⇐
HP A4333A	HP VISUALIZE-IVX	GSC daughter	⇒	See Graphics Video section	⇐
HP A4450A	HP VISUALIZE-EG	GSC, EVC	⇒	See Graphics Video section	⇐
HP A4451A	HP Dual VISUALIZE-EG	GSC, EVC	⇒	See Graphics Video section	⇐
HP A4455A	HP VISUALIZE-EG	HSC-Large, EVC	⇒	See Graphics Video section	⇐
HP A4920A	HyperFabric 160 MB/sec adapter	HSC		K-Class	10.20-11.0
HP A4924A	1000BaseSX	HSC		K-Class	10.20-11.0
HP A4926A	1000BaseSX	GSC			10.20-11.0
HP J2468A	ATM/622 adaptor, OC12c/MMF	HSC	NOP	K-Class	
HP J2469A	ATM/155 adaptor, OC3c	HSC	NOP	K-Class	
HP J2498A ¹⁵⁴	ATM adaptor, 155	GSC	NOP	B-Class, C-Class, J-Class. Cannot also be used with J2802A/B.	10.01-11.0/32 w/ J2806Bx
HP J2499A #001	ATM/155 OC3c	GSC	NOP	B-Class, C-Class, J-Class	10.20-11.0/32
HP J2803A°	ATM adaptor, OC3/155 Mbps	HSC	NOP	K-Class 4xx Models	9.0-9.07
HP J2803B ¹⁵⁴	ATM adaptor, OC3/UTP5/155 Mbps	HSC	NOP	K-Class 4xx Models	10.01-10.20 w/ J2806A°/BA
HP J3420A	ATM adaptor, OC3/UTP5/155 Mbps	GSC-M	Rev. J	Models 743/132L, 744, 748/132L, 748/165L. Cannot be used with A4315A or A4316A HCRX-VME cards.	10.20-11.0/32 w/J2806BA
HP J3514A	100BaseT/10BaseT dual-port adaptor	HSC	NOP	K-Class	10.20-11.0
HP J3515A	100BaseT/10BaseT/AUI adaptor	GSC	NOP	D-Class, J210XC, J282	10.20-11.0
HP J3516A	100BaseT/10BaseT dual-port adaptor	GSC	NOP	B-Class, C-Class, J-Class	10.20-11.0
HP J3573A	ATM/622 adaptor, OC12c/MMF	GSC	NOP		
HP Z5117A	PCMCIA adaptor for 743rt	GSC-M	⇒	Unsupported	No driver
Complementary Hardware Vendors		Note: Listing of CHV devices implies no endorsement or support of them by HP. All hardware and software support claims are drawn from information published by the CHV device supplier.			
Essential Communications, 505-344-0080		http://www.esscom.com			
Model	Desc	Type	Boot	Hdw	HP-UX
EC-340-SF	Serial HIPPI NIC	PCI, 5V	NOP	<TBD>	<TBD>

GSC/HSC Card Notes:

151. External device support only. Installation requires removal of EISA capability, relocation of SCSI termination resistors, and separate purchase of parts: A4071-62001, A4071-40001,

A4071-40003. Unsupported on 715/100, but /100 may be upgraded to 100XC configuration.

152. Card set may occupy 2, 2½ or 3 GSC slots.

153. Model 743 requires A4262A Expansion Kit if not already present.

154. This card is not supported for use in a system that also has a J2645AA EISA 100VG LAN card installed.

HP-PB (HP-NIO) Cards

Topic HP-PB (HP Precision Bus, aka “HP-NIO”) cards have a form-factor generally similar to VME 3U (single-high HP-PB) or VME 6U (double-high HP-PB) cards. A double-high HP-PB slot accommodates only one single-high HP-PB card.

The “Min. Boot ROM” column indicates the minimum revision of PDC/IODC ROM code required to boot an operating system, recovery system or diagnostic kernel from or through the

device, or use that device as console. “Transp.” means that the device is transparent to software.

For information on SCSI abbreviations, see “SCSI Notation” on page 127.

HP-PB (HP-NIO) Cards

Vendor& Product Number	Abbreviated Product Description	Type	Min. Boot ROM	Hardware Qualification and Support	HP-UX Support
HP A1748A	HP-FL Interface	HP-PB	Unsup.	Unsupported	Unsup.
HP A1749A	HP-FL Interface	HP-PB	Unsup.	Unsupported	Unsup.
HP A3495AA	100BaseT Interface	HP-PB	Unsup.	K-Class	10.20-11.0
HP B5426AA	100VG 803.12 interface	HP-PB		MPE product	Unsup.
HP B5427AA	100BaseTX 803.2u interface	HP-PB		MPE product	Unsup.
HP C2430SC	HP-FL to fwdSCSI Upgrade Kit	HP-PB	⇒	See 28696A	Ø
HP J2092A	RS-232C MUX, direct, 16-ch.	HP-PB	N/A	K-Class	8.02-10.20
HP J2093A	RS-423 MUX, direct, 16-channel	HP-PB	N/A	K-Class	8.02-10.20
HP J2094A	RS-232C MUX, modem, 16-ch.	HP-PB	N/A	K-Class	8.02-10.20
HP J2096A	RS-232C MUX, direct, 32-ch.	HP-PB	N/A	K-Class	8.02-10.20
HP J2146A	802.3 Network Interface	HP-PB	---	EPS20, Model K410	8.02-10.01
HP J2157A	FDDI Interface	HP-PB	NOP	EPS20, K-Class	9.04-10.20 w/ J2658AA
HP J2166A	IEEE 802.5 Token Ring Interface	HP-PB	---	EPS20	10.01
HP J2220B #001	PSI: Programmable Serial I/F card (protocol depends on software)	HP-PB	N/A		
HP J2792A	PSI card (protocol depends on software purchased)	HP-PB	N/A	K-Class	10.01-10.20
HP J2804A	ATM adaptor	HP-PB	N/A	Unsupported	Unsup.
HP Z7126A	Datakit-II VCS Fiber Optic Interface and COM-KIT 4.0 software	2H HP-PB	N/A	K-Class	10.01-10.10
HP Z7127A	Additional Datakit-II VCS I/F	2H HP-PB	N/A	K-Class	10.01-10.10
HP Z7200A	8ch ACC ¹⁵⁵ , card only	HP-PB		K-Class	Depends on software ordered.
HP Z7239A	8ch ACC ¹⁵⁵ 2.2x for HP-UX 9.x		N/A	Unsupported	
HP Z7240A	8ch ACC ¹⁵⁵ 2.2x for HP-UX 10.x			K-Class	
HP Z7249A	8ch ACC ¹⁵⁵ 2.2x for HP-UX 9.x		N/A	Unsupported	
HP Z7250A	8ch ACC ¹⁵⁵ 2.2x for HP-UX 10.x	HP-PB		K-Class	
HP Z7300A	, card only	HP-PB		K-Class	
HP Z7350A	2ch ACC ¹⁵⁵ Interface, card only	HP-PB		K-Class	Depends on software ordered.
HP Z7351A	X.25/ACC ¹⁵⁵ Interface, 2-channel	HP-PB		K-Class	10.01
HP Z7352A	ACC Multi-Protocol i/f, 2-channel, base	HP-PB		K-Class	10.01
HP Z7301A	X.25/ACC ¹⁵⁵ Interface, 4-channel	HP-PB		K-Class	
HP Z7302A	T1/E1 ACC ¹⁵⁵ , 4-channel, base	HP-PB		K-Class	

HP-PB (HP-NIO) Cards

Vendor& Product Number	Abbreviated Product Description	Type	Min. Boot ROM	Hardware Qualification and Support	HP-UX Support
HP 27251A	SCSI Host Adaptor	HP-PB		K-Class	
HP Z7350A	2-Port ACC Interface (protocol depends on software ordered)	HP-PB		K-Class	
HP 28615A	HP-FL Interface	HP-PB	Any	K-Class	10.01-10.20
HP 28616A	HP-FL Interface	HP-PB	Unsup.	Unsupported	MPE/iX Device
HP 28642A	nsSCSI/Parallel Host Adaptor	HP-PB	N/A	Unsupported (MPE only)	Unsup.
HP 28655A	nsSCSI/Parallel Host Adaptor, 1xHD50SL/TS, 1xDB25F	HP-PB	Any	K-Class	10.0-10.20
HP 28696A	fwdSCSI interface	HP-PB	Any	EPS20, K-Class	10.01-10.20
HP 36960A	X.25/9000 Link for Series 800	HP-PB			
HP 36967A	802.3 Interface	2xHP-PB	Unsup.	Unsupported	Unsup.
HP 40299°A/B	RS-232C MUX, 8-channel	HP-PB			7.0-10.20
HP 92203°MB/RB	ACC ¹⁵⁵	HP-PB	N/A	Unsupported	9.04√
HP 93302PD	Datakit-II VCS Fiber Optic Interface and COM-KIT 3.2 software	2H HP-PB	N/A	K-Class	10.01-10.10
HP 94181A	Real-Time Interface card	HP-PB			

HP-PB(NIO) Card Notes:

155. Advanced Communications Controller - a programmable serial interface card. Capabilities depend on card product number and supporting software package selected.

PCI Cards

See the **PCI (Peripheral Component Interconnect)** section of page B-194, **Appendix B: I/O Card Illustrations** for illustrations of PCI cards.

Recent and new PA-RISC workstations may have combinations of:
32-bit 3.3v PCI slots,
32-bit 5v PCI slots, and/or
64-bit 3.3v “4x” speed PCI slots.

PCI is a 32- or 64-bit I/O bus operating at 33 or 66 MHz and 3.3V or 5V signaling levels. PCI slots are gradually replacing EISA slots on PA-RISC workstations.

PCI cards may be 5V, 3.3V or both (“Universal”). Universal cards are common, but universal slots are impractical. Most extant PCI cards are either universal or 5V. 3.3V-only cards are rare.

No PA-RISC workstations have PMC (PCI Mezzanine) slots, although S- and X-Class may. PCI Card/Slot Compatibility

The slot types shown in gray (PCI-32 2x 3.3v, PCI-64 1x 3.3v and PCI-64 5v) are shown for reference and are not supplied on PA-RISC workstations.

PCI Slot/Card Compatibility

PCI Card Type	PCI-32 Slot Type			PCI-64 Slot Type		
	3.3v	5v	“2x”(3.3v)	3.3v	5v	“4x”(3.3v)
PCI-32 5v	No	Yes	No	No	Yes	No
PCI-32 Universal	Yes	Yes	Yes ¹⁵⁶	Yes	Yes	Yes ¹⁵⁶
PCI-32 “2x”	Yes ¹⁵⁷	No	Yes	Yes ¹⁵⁷	No	Yes
PCI-64 5v	No	Yes ¹⁵⁸	No	No	Yes	No
PCI-64 Universal	Yes ¹⁵⁸	Yes	Yes ¹⁵⁸	Yes	Yes	Yes ¹⁵⁶
PCI-64 “4x”	Yes ¹⁵⁸	Yes ¹⁵⁸	Yes ¹⁵⁸	Yes ¹⁵⁷	Yes ¹⁵⁷	Yes

156. Using a standard (1x) speed card in a 2x or 4x slot limits the speed of all cards to 1x on all slots connected to the same PCI bridge or bus controller.

157. Using a high (2x or 4x) speed card in a 1x slot limits the speed of that individual card to 1x.

158. Using a 64-bit card in a 32-bit slot limits that individual card to 32-bit transfers, potentially reducing its performance by 50% (plus another 50% if the card is 66MHz (4x) and the slot is a 33MHz (1x) speed slot.

PCI Card Support

The “Min. Boot ROM” column indicates the minimum revision of PDC/IODC ROM code required to boot an

operating system, recovery system or diagnostic kernel from or through the device, or use that device as

console. “Transp.” means that the device is transparent to software.

PCI Cards

Vendor& Product Number	Abbreviated Product Description	Type	Min. Boot ROM	Hardware Qualification and Support	HP-UX Support
HP A3738A	100Base-TX	PCI-32	⇒	Unsupported. V-Class and SPP-2200 only	⇐
HP A3739A	FDDI, SC-MIC, dual-attach	PCI-32		Unsupported. V-Class only	11.0
HP A3740A	Fiber channel, MM SC	PCI-32, 5V		V-Class	11.0
HP A4552A	HP VISUALIZE-FX2	PCI-64, Univ, 4x	⇒	See Graphics Video section	⇐
HP A4553A	HP VISUALIZE-FX4	PCI-64, Univ, 4x	⇒	See Graphics Video section	⇐
HP A4554A	HP VISUALIZE-FX6	PCI-64, Univ, 4x PCI-32, Univ, 1x	⇒	See Graphics Video section	⇐
HP A4705A	UltraSCSI card, internal devices		N/A	S- and X-Class device	Unsup.
HP A4706A	UltraSCSI card, external devices		N/A	S- and X-Class device	Unsup.

PCI Cards

Vendor& Product Number	Abbreviated Product Description	Type	Min. Boot ROM	Hardware Qualification and Support	HP-UX Support
HP A4712A	802.3 EtherNet card		N/A	S- and X-Class device	Unsup.
HP A4713A	100 Mbps Fibre Optic i/f		N/A	S- and X-Class device	Unsup.
HP A4714A	HIPPI card		N/A	S- and X-Class device	Unsup.
HP A4715A	ATM card		N/A	S- and X-Class device	Unsup.
HP A4800A	fwdSCSI card			V-Class	
HP A4926A	1000Base-SX Gigabit Ethernet adaptor		N/A	V-Class	10.20-11.0
HP A4930A	802.5 Token Ring	PCI	N/A	V-Class	11.0
HP A4974A	fwSCSI card	PCI-32, Univ.		All PCI Models	10.20-11.0
HP A4975A	Cu FibreChannel	PCI-32, Univ.		All PCI Models	10.20-11.0
HP A4976A	fwdSCSI Interface	PCI-32, Univ.		All PCI Models	10.20-11.0
HP A4979A	VISUALIZE-EG/PMC	PMC	⇒	See Graphics Video section.	⇐
HP A4990A	FibreChannel	PCI-32, Univ.		All PCI Models	10.20-11.0
HP A4999A	uwsSCSI interface	PCI-32, Univ.		All PCI Models	10.20-11.0
HP B5509A°/BA	100BaseTX / 10BaseT (RJ45)	PCI-32, Univ, 1x	No	All PCI Models	10.20-11.0
HP C1578A	SCSI-II Host Adaptor (Adaptec AHA-2940C)	PCI-32, 5v, 1x	N/A		No
HP C3610A	SCSI-II Dual-Channel Disk Array Controller	PCI-32, 5v, 1x	N/A		No
HP C5207A	100BaseT for Envizex		N/A	Unsupported	No driver
HP C5209A	100BaseT for Envizex		N/A	Unsupported	No driver
HP A4919A	HyperFabric 160 MB/sec. adapter	PCI	N/A	V-Class	10.20-11.0
HP D4943A	HP NetRAID uwsSCSI controller		N/A	Unsupported	No driver
HP D4992A	NetRAID uwsSCSI controller	PCI	N/A	Unsupported	No driver
HP D5013A	NetServer 10/100TX PCI LAN	PCI	N/A	Unsupported	No driver
HP D5025A	Wide Ultra SCSI host adaptor	PCI-32	N/A	Unsupported. Netserver	No driver
HP D5429A	10BaseT LAN (aka D5430A)	PCI-32	N/A	Unsupported	No driver
HP D5955A	NetRAID 3si	PCI	N/A	Unsupported	No driver
HP D6500A	HP 10/100-TX 3COM NIC	PCI	N/A	Unsupported	No driver
HP D6507A	HP 10/100 Intel Ether Express Pro/100+	PCI-32	N/A	Unsupported	No driver
HP E8491A #001	IEEE-1394 PC Link	PCI-32	NOP	Unsupported	No driver
HP G1480/82A	802.3 10BaseT and 10Base2 adaptor	PCI-32, 5v, 1x	N/A		No
HP J2585A	DeskDirect 10BaseT/100VG LAN i/f	PCI-32, 5v, 1x	N/A		No
HP J2585B	DeskDirect 10BaseT/100VG LAN i/f	PCI-32, 5v, 1x	Unsup.	All 5v PCI Models	10.20+ACE
HP J2970A°	DeskDirect 10BaseT LAN combo I/F	PCI-32, 5v	Unsup.	Unsup.	Unsup.
HP J2973A°	DeskDirect 10BaseT LAN Interface	PCI-32, 5v	Unsup.	Unsup.	Unsup.
HP J3171A°	DeskDirect 10BaseT/100Tx LAN i/f	PCI-32, 5v	Unsup.	Unsup.	Unsup.
HP J3242A	DeskDirect EL-10, 10BaseT, AUI, BNC	PCI	Unsup.	Unsup.	Unsup.
HP J3525A	Dual-port Synchronous Adaptor	PCI-32, Univ, 1x	NOP	B-Class, C-Class	10.20
HP J3526A	4-port synchronous adaptor (X.25 or Frame Relay, depending on software)	PCI-32, Univ.		B-Class, C-Class	10.20
HP J3575A	ATM 622	PCI			10.20-11.0
HP J3593A	PCI Mux 64-port	PCI-32		V-Class device	10.20-11.0
HP J3557A	ATM/155, SONET/SDH, OC3c/MMF	PCI-32	N/A	V-Class device	10.20-11.0
HP Z7330A	TI/E1 ACC, 4 channel	PCI-32, 5V	N/A	B-Class special product	10.20

PCI Cards

Vendor& Product Number	Abbreviated Product Description	Type	Min. Boot ROM	Hardware Qualification and Support	HP-UX Support
HP Z7332A	T1/E1 ACC	PCI-32, 5V	N/A	B-Class special product	10.20
HP Z7749A	Dual-port LAN card	PCI-32, 5V	N/A	B-Class special product	10.20
HP 83450A	HP-IB interface	PCI	N/A	Unsupported	
Complementary Hardware Vendors		Note: Listing of CHV devices implies no endorsement or support of them by HP. All hardware and software support claims are drawn from information published by the CHV device supplier.			
Bit3 Computer Corporation, Minneapolis MN, +01 612-881-6955		http://www.bit3.com			
2101	PCI-PCI Expansion Unit, 7 slot	PCI-5		See Backplanes, Slots/Adaptors & Card Cages section	
Test and Measurement Systems, Loveland CO, 970-669-6553		http://www.tamsinc.com/			
TAMS 60488	HP-IB interface	PCI-32, 1x, Univ.	N/A	All PCI Models	9.01-9.07 ⊥ 10.01-10.20
TAMS 70622	GPIO Interface	PCI-32, 1x, Univ.	N/A	All PCI Models	9.01-9.07 ⊥ 10.01-10.20

SGC (and DIO-II) Cards

Standard SGC cards have a DIO-II form factor. SGC-E cards are EISA form factor.

Some DIO-II cards are also listed. Although no DIO-II cards are supported, they have the same approximate form factor as SGC, and support questions may arise.

The “Min. Boot ROM” column indicates the minimum revision of PDC/IODC ROM code required to boot an operating system, recovery system or diagnostic kernel from or through the device, or use that device as console. “Transp.” means that the device is transparent to software.

SGC (and DIO-II) Cards

Vendor& Product Number	Abbreviated Product Description	Type	Min. Boot ROM	Hardware Qualification and Support	HP-UX Support
HP A1096A°	Monochrome VRX	DIO-II	NA	No DIO slots	NA
HP A1416A°°	Color VRX	DIO-II	NA	No DIO slots	NA
HP A1439A	CRX-24 interface	SGC	Any	See Graphics Video section	
HP A1454A	24-bit Z Buffer	CRX-24	NOP	See Graphics Video section	
HP A1471A° ¹⁵⁹	s700 Personal VRX i/f	SGC	Any	See Graphics Video section	
HP A1472A° ¹⁵⁹	s700 Turbo VRX i/f	SGC	Any	See Graphics Video section	
HP A1659A°	CRX video card, 1280¥1024¥8	SGC	Any	See Graphics Video section	
HP A1924A° ¹⁵⁹ , ¹⁶⁰	GRX video card, 1280¥1024¥1	SGC	Any	See Graphics Video section	
HP A1940A° ¹⁵⁹	EVRX Color card 1024¥768	SGC	Unsup.	Unsupported	Unsup.
HP A1956A°°	EVRX Color card 1280¥1024	SGC	Unsup.	Unsupported	Unsup.
HP A1986A	EISA slot for Model 720	SGC		Model 720 (Required for upgrade to 730.)	8.05-10.10
HP A2089-66530	Video/Audio for 715s/t	SGC	Any	Upgraded Models 433s/t only	8.05
HP A2091-66580	CRX48Z Interface	SGC		See Graphics Video section	
HP A2262A	Dual CRX Graphics	SGC	Any	See Graphics Video section	
HP A2269A°	Dual or dual-to-quad CRX Upgrade	SGC	Any	See Graphics Video section	
HP A2270A	CRX-24 or Dual CRX-24 Upgrade	SGC	Any	See Graphics Video section	
HP A2271A	CRX to CRX-24 Upgrade	SGC	Any	See Graphics Video section	
HP A2272A	PVRX to CRX-24 Upgrade	SGC	Any	See Graphics Video section	
HP A2666A	CRX-24Z to CRX48Z	SGC	Any	See Graphics Video section	
HP A2667A	PVRX to CRX-48Z Upgrade	SGC		See Graphics Video section	
HP A2673A	CRX-24 interface	SGC		See Graphics Video section	
HP A2674A	CRX-24Z upgrade	A2673A		See Graphics Video section	
HP J2069A°°	HIPPI (High Performance Parallel) Link	SGC ¹⁶⁰	NOP	Models 720, 730, 735, 735/125, 755/1all	9.03-10.01∇
HP 98556A°	CHX Accelerator	DIO-II	NA	Incompatible	NA
HP 98768A	CRX Upgrade Kit	SGC	Any	See Graphics Video section	

SGC Card Notes:

¹⁵⁹. Product number for reference only. Device not sold separately.

¹⁶⁰. Only Models 750 and 755 have a spare SGC slot. All other supporting SGC models must remove graphics

card and use a terminal as console. Model 715s not supported. Incompatible with daughter FDDI on 755.

Selected VME and VXI Cards

Test & measurement VME and VXI cards, for use with the 740-series SPUs, in general are not listed, as they are beyond the scope of this document.

The “Min. Boot ROM” column indicates the minimum revision of PDC/IODC ROM code required to boot an operating system, recovery system or diagnostic kernel from or through the

device, or use that device as console. “Transp.” means that the device is transparent to software.

Note: The HP PA-RISC Device I/O Library [DIL] is not fully implemented on PA-RISC Workstation HP-UX. In particular HP-IB support is limited to simple (non-AMIGO, non-CIPER) I/O for printers and plotters, and only via the 25560A EISA interface.

A Standard Instrument Control Library [SICL, HP E2091D, see Glossary] is available but it does not support non-instrument computer peripherals, and supports only the E2070A/B, E2071A ISA HP-IB and E2074A ISA GPIO cards, and does not support the 25560A EISA HP-IB interface.

An HP-IB connection is also available via the E2050A external LAN adaptor (see **Networking Devices** section).

Selected VME and VXI Cards

Vendor& Product Number	Abbreviated Product Description	Type	Min. Boot ROM	Hardware Qualification and Support	HP-UX Support
HP E1306A	HP-IB Command Module	VXI-B	NOP	All VXI models	SICL ¹⁶¹ 8.05-9.07 ⊥ 10.01 ⊥ 10.20
HP E1324A	RS232C Interface for Command Modules	VXI-A			
HP E1406A	HP-IB Command Module	VXI-C	NOP	All VXI models	SICL ¹⁶¹ 8.05-9.07 ⊥ 10.01 ⊥ 10.20
HP E1482B	VXIbus to MXIbus extender	VXI	NOP	User supported	SICL ¹⁶¹ 8.05-9.07 ⊥ 10.01 ⊥ 10.20
HP E1488A	2-16 MB Instrument Memory	VXI-C	NOP		
HP E2251A	VXI C-size M-Module carrier	VXI-C			
HP E2749A	Fibre Channel, copper	VXI-C			
HP E8491A #001	IEEE-1394 PC Link	VXI-C	NOP	Unsupported	No driver
HP L1210A	HFC 64QAM Transmitter	VXI-C	NOP	L1200A (Model V743/100)	10.10
HP L1220A	HFC 4-port BPSK Receiver	VXI-C	NOP	L1200A (Model V743/100)	10.10

VME/VXI Notes:

161. See SICL in Glossary for detailed support information.

Miscellaneous Cards and I/O Devices

This table lists devices which are either often confused with I/O cards, or are functionally similar to I/O cards.

See also the **Processor-Specific Cards** section on page 129.

The “Min. Boot ROM” column indicates the minimum revision of PDC/IODC ROM code required to boot an operating system, recovery system or diagnostic kernel from or through the device, or use that device as console.

“Transp.” means that the device is transparent to software.

For information on SCSI abbreviations, see “SCSI Notation” on page 127.

Miscellaneous Cards & I/O Devices

Vendor& Product Number	Abbreviated Product Description	Type	Min. Boot ROM	Hardware Qualification and Support	HP-UX Support
HP A1450/51A	Add std.spd HP-IB	s400	N/A	Incompatible. Use E2050A, E2070x/B or E2071x	←
HP A2229BA	Mpower interface kit for <i>ScanJet-IIcx</i> , -3c and -4c. Includes LD50BL to DB25P mcSCSI cable.	mcSCSI	NOP	Cable and DB25M terminator only. Requires available SCSI address and LDBL connector on upstream device or SPU.	9.01-9.07_10.01-10.10
HP A4248A	Video Export Board	Daughter		See Graphics Video section	←
HP A4556A	Video Export (NTSC, PAL) card for VISUALIZE-FX.	⇒	⇒	See Graphics Video section	10.20+ACE
HP A4559A	Texture Map Accelerator for VISUALIZE-FX4	⇒	⇒	See Graphics Video section	10.20+ACE
HP A4625A	Hi-Res kit	VRAM	⇒	See Graphics Video section	←
HP J2460A	ISDN Basic Rate Interface	nsSCSI	⇒	See Networking Devices section	←
Complementary Hardware Vendors		Note: Listing of CHV devices implies no endorsement or support of them by HP. All hardware and software support claims are drawn from information published by the CHV device supplier.			
Central Data, +1 (217) 359-8010		http://www.cd.com/			
<various>	RS-232C multiplexers	nsSCSI		See Networking Devices section.	

Miscellaneous Devices

This tables lists all device which do not fit into any of the major categories, such as AC power accessories, racks, and mechanical switches.

The “Min. Boot ROM” column indicates the minimum revision of PDC/IODC ROM code required to boot an operating system, recovery system or

diagnostic kernel from or through the device, or use that device as console. “Transp.” means that the device is transparent to software.

I/O Converters, Adaptors, Extenders and Switches

This table includes devices not generally used for Local or Wide Area Networking. See the **Networking**

Devices section for LAN and WAN devices (including some fibre channel devices).

For information on SCSI abbreviations, see “SCSI Notation” on page 127.

Misc: Converters, Adaptors, Extenders & Switches

Vendor& Product Number	Abbreviated Product Description	Type	Min. Boot ROM	Hardware Qualification and Support	HP-UX Support
HP A3308A	FC-SCSI Mux Fibre Channel multiplexer, desktop	FC	No	K-Class	10.20
HP A3511A/AZ	FC-SCSI Mux Fibre Channel multiplexer, rackmount	FC	No	K-Class	10.20
HP C1740A°	LaserJet FAX modem adaptor	RS232(2), Par.	NA	Unsupported	Unsup.
HP CEDT1002	nsSCSI to parallel converter	nsSCSI	NOP		
HP CURR-FS02°°	Isolated RS-232C line driver	RS232	Unsup.	Never supported	Unsup.
HP C4109A	Serial-to-Parallel converter for LaserJet 6L and 6P	RS232	NOP	Unsupported	Unsup.
HP C4316A	fwdSCSI to fwsSCSI converter	fwdSCSI			
HP D4990A	HP Cluster SCSI Extender, rackable 1U	uwsSCSI, lvdSCSI	Unsup.	Unsupported. NetServer product.	Unsup.
HP D5957A	HP Cluster Adaptor (active terminator)		N/A	Unsupported. NetServer product.	Unsup.
HP E2050A	LAN to HP-IB controller	802.3	NOP	See Networking Devices section	
HP J1460A°	Console switch	2xPS/2, Dsub15		See Human Interface Devices section	
HP J1493/97A	Console switch	2xPS/2, Dsub15		See Human Interface Devices section	
HP 26075A°°	ABC Switch	HP-IB	NOP	Formerly supported: All PA-RISC 1.0 Models	Transp.
HP 28643A	nsSCSI Extender	nsSCSI	NOP	K-Class	Transp.
	HP-IB Extenders				
HP 37201A°°	Serial/twisted-pair	HP-IB	NOP	Unsupported	Unsup.
HP 37204A	Coax/Fibre Optic	HP-IB	NOP	Unsupported	Transp.
HP 82169A°°	HP-IL Converter	HP-IB	NOP	Never supported	Unsup.
HP 92178S°°	ABC switch	RS232	Transp.	Unsupported	Transp.
HP 92203°J/K	HP-IB to Centronics converter	HP-IB, Par.	Unsup.	Unsupported	Unsup.
HP 92205E°	ABC switch	RS232	Transp.	Unsupported	Transp.
HP 92205F°	Dual ABC switch	RS232	Transp.	Unsupported	Transp.
HP 92205Y°	ABC switch	HP-IB	NOP	Unsupported	Transp.
HP-Apollo K1015°°	Convert 1 3 port	25-pin	NA	See K2292	NA
HP-Apollo K2292	Convert 1 3 port	25-pin	NA	Models 710e, 715s/t only	Transp.

Misc: Converters, Adaptors, Extenders & Switches

Vendor& Product Number	Abbreviated Product Description	Type	Min. Boot ROM	Hardware Qualification and Support	HP-UX Support
Complementary Hardware Vendors		Note: Listing of CHV devices implies no endorsement or support of them by HP. All hardware and software support claims are drawn from information published by the CHV device supplier.			
AEON Communications, +44(0) 1425 472472		http://			
SD4	SCSI Converter	fnsSCSI Ū fndSCSI		Vendor: HP DDS drives	
Black Box, (412) 746-5500		http://www.blackbox.com/			
SW700 Series	ServSwitch keyboard/mouse/monitor switches	2xPS/2, Dsub15		See Human Interface Devices section	
Rose Electronics, (800) 333-9343		http://www.rosel.com/			
SV Series	ServeView keyboard/mouse/monitor switches	2xPS/2, Dsub15		See Human Interface Devices section	

Racks and Cabinets

See the Rack Solutions Catalog catalog at URL:

<http://www.tmo.hp.com/tmo/catalogs/RSC-toc.html>

for more information about HP racks and cabinets.

Misc: Racks and Cabinets

Vendor& Product Number	Abbreviated Product Description	Hardware Qualification and Support
HP A1896A	1.1m EIA-19 rack	
HP A1987A	1.6m EIA-19 rack	EPS20, K-Class, <i>PowerTrust</i> UPS Models
HP A4160A	1.6m 735CL/MPS10 rack	Model 735 [all]
HP C2785A, HP C2786A	1.1m EIA-19 rack 1.6m EIA-19 rack	Peripherals C225xB/HA C243xR, C2439JA, C2440JA, C246xR, C302xR, J2060A, J2062A, J2070A, 2340A, 2345A, 7979x, 7980x
HP C2977B		Peripherals C2968A, C2969A, C2984A, C2995A, C2996A
HP C4317A, C4317RZ	2U Rack Enclosure	All Models supporting one or more internal devices.
HP C4318A°/B, C4318RZ	3U Rack Enclosure	All Models supporting one or more internal devices.
HP C6212A	1.6m rack	A4820A, A4821A
HP E3660A, HP E3661A, HP E3662A	1.1m EIA-19 rack 1.6m EIA-19 rack 2.0m EIA-19 rack	Models 742i (in VME cage), 743i (in VME cage), v743 (in VXI cage), 745 [all], 747 [all], 748 [all]
HP E3905A	1.32m rack	
HP E5920A	.72m EIA rack	
HP J1500A HP J1501A HP J1502A	2.0m, 41U 1.6m, 33U 1.25m, 25U	
HP 46298A°	.72m rack	

Power Management

All HP PowerWise UPS models were discontinued on 1997/04/01. All support for these models was transferred to American Power Conversion (APC; see CHV section for URL). The PowerTrust product line was not affected by this transition.

Except on K-Class, HP-UX support for power management devices is provided by the UPS supplier.

Misc: Power Management

Vendor& Product Number	Abbreviated Product Description	Type	Min. Boot ROM	Hardware Qualification and Support	HP-UX Support
HP A2941A	<i>PowerTrust</i> 600 UPS, 600VA	RS232	NA		
HP A2994A HP A2996A	<i>PowerTrust</i> 1300 UPS, 1300VA	RS232	NA		
HP A2997A	<i>PowerTrust</i> UPS, 1.8KVA	RS232	NA	EPS20, K-Class	10.01-10.20
HP A2998A	<i>PowerTrust</i> UPS, 3.0KVA	RS232	NA	K-Class	10.20
HP C4275°A/B	<i>PowerWise</i> 1000 UPS, 1000VA 700W, 120 Vac	802.3	NA	All Models	w/C4627B software
HP C4276°A/B	<i>PowerWise</i> 2100 UPS, 2100VA 1500W, 120 Vac	802.3	NA	All Models	w/C4627B software
HP C4277°A/B	<i>PowerWise</i> 1000 UPS, 1000VA 700W, 230 Vac	802.3	NA	All Models	w/C4627B software
HP C4278°A/B	<i>PowerWise</i> 2100 UPS, 2100VA 1500W, 230 Vac	802.3	NA	All Models	w/C4627B software
HP C4520A°	SNMP 10BaseT card for C4275/76A	802.3	NA	All Models	w/C4627A° software
HP C4620A°	SNMP 10BaseT card for <i>PowerWise</i> UPS units	802.3	NA	All Models	w/C4627B software
HP C4692A°	SNMP 10BaseT and 10Base2 card for <i>PowerWise</i> UPS units	802.3	NA	All Models	w/C4627A/B software
HP C4775°A/B	<i>PowerWise</i> L600 UPS, 600VA 400W, 120 Vac	802.3	NA	All Models	w/C4627B software
HP C4776°A/B	<i>PowerWise</i> L900 UPS, 900VA 600W, 120 Vac	802.3	NA	All Models	w/C4627B software
HP C4777°A/B	<i>PowerWise</i> L600 UPS, 600VA 400W, 230 Vac	802.3	NA	All Models	w/C4627B software
HP C4778°A/B	<i>PowerWise</i> L900 UPS, 900VA 600W, 230 Vac	802.3	NA	All Models	w/C4627B software
HP C5225B°	<i>PowerWise</i> L1250 UPS, 1250 VA 850W				
HP GSMCS20A	Merlin Gerin 2000VA 10 min. 230V	802.3	NA	LPO: All Models	w/B415xA UPS mgr
HP GSMCS30A	Merlin Gerin 3000VA 10 min. 230V	802.3	NA	LPO: All Models	w/B415xA UPS mgr
HP GSMCI15C	Merlin Gerin 5000VA 30 min. 230V	802.3	NA	LPO: All Models	w/B415xA UPS mgr
HP GSMC310B	Merlin Gerin 10KVA 10 min. 230V	802.3	NA	LPO: All Models	w/B415xA UPS mgr
HP GSMC310C	Merlin Gerin 10KVA 30 min. 230V	802.3	NA	LPO: All Models	w/B415xA UPS mgr
HP GSMC317B	Merlin Gerin 7500VA 10 min. 230V	802.3	NA	LPO: All Models	w/B415xA UPS mgr
HP GSMEV05A	Merlin Gerin 450VA 5 min. 230V	802.3	NA	LPO: All Models	w/B415xA UPS mgr
HP GSMEV08A	Merlin Gerin 750VA 6 min. 230V	802.3	NA	LPO: All Models	w/B415xA UPS mgr
HP GSMEV13A	Merlin Gerin 1250VA 6 min. 230V	802.3	NA	LPO: All Models	w/B415xA UPS mgr
HP GSMEX15A/B	Merlin Gerin 1500VA 13 min. 230V	802.3	NA	LPO: All Models	w/B415xA UPS mgr
HP GSMEX20A/B	Merlin Gerin 2000VA 9 min. 230V	802.3	NA	LPO: All Models	w/B415xA UPS mgr
HP GSMEX30A/B	Merlin Gerin 3000VA 6 min. 230V	802.3	NA	LPO: All Models	w/B415xA UPS mgr
HP GSMEX40A/B	Merlin Gerin 7000VA 7 min. 230V	802.3	NA	LPO: All Models	w/B415xA UPS mgr
HP Z7611A	Dual redundant AC power supply	___	___	TelePACE	
HP Z7615A	Dual redundant DC power supply	___	___	TelePACE	

Misc: Power Management

Vendor& Product Number	Abbreviated Product Description	Type	Min. Boot ROM	Hardware Qualification and Support	HP-UX Support
Complementary Hardware Vendors		Note: Listing of CHV devices implies no endorsement or support of them by HP. All hardware and software support claims are drawn from information published by the CHV device supplier.			
APC, (401) 789-5735		http://www.apcc.com/index2.htm			
APCC-600UX° APCC-1250UX°	600VA and 1.25KVA UPS	802.3	NA	Vendor supported	
Deltec		http://			
DELT-202x° DELT-203x°	2.4 and 3.6 KVA UPS	802.3	NA	HP-UX software supported by Deltec	

Glossary

(blank) in a table box indicates that information was not available at time of publication.

°(**discontinued**)° The degree° superscript denotes a product which is no longer supplied, and is listed for reference purposes. Discontinued products maintain their system support status during their individual product support life. Discontinued products may be available for purchase from HP's Finance and Marketing Division or from third-party equipment brokers and re-sellers.

°°<**beyond support life**>°°

Unsupported per se. The double degree (°°) symbols denotes a product which is not only no longer supplied (new or remarketed) but is also beyond its guaranteed minimum support life. Support for such devices is provided on a "best effort" time & material basis, if available at all. Once beyond support life, stand-alone and system support under support contract is no longer available. The matrix does note if the device was formerly supported.

⊥<**support coverage break**>⊥ The inverted "T" ⊥ symbol denotes a gap in software support for the device, for example 8.05-9.07⊥10.01-10.20. Any release numbers in the gap do not support the device.

∇<**final support version**>∇ The grad ∇ symbol denotes that the highest software revision shown is the final version that supports the device, for example 9.01-10.20∇.

8.05-10.20 Denotes the earliest (e.g. 8.05) and latest (e.g. 10.20) versions of PA-RISC Workstation software which might support the device. Note: many devices show software support, but no hardware support. This means that the software is present in the PA-RISC Workstation release, and may imply that this same software supports the device on a Server (Series 800) system. The software revision is listed as a convenience to those customers who already own the device, and wish to use it at their own risk on the PA-RISC Workstation.

11.0 Supported on both the 32-bit and 64-bit configurations of HP-UX 11.0.

11.0/32 Supported only on the 32-bit configuration of HP-UX 11.0.

CPO HP's Computer Peripherals Group provides HP-UX support for this device. See "HP Entity Support Contacts" on page 5. for further information.

EISA Extended ISA. A 32-bit extension to the ISA standard. EISA slots can accept ISA cards.

fwdSCSI - Fast Wide SCSI (16-bit differential, 10 MHz)

GIO General I/O - a GSC slot in a Model 712 requiring a specific card form factor.

HSC High Speed system Connect - A version of GSC used in K-Class workstations and servers. HSC cards are usually the same form factor as GSC-M, but have a different bulkhead plate.

GSC Graphics System Connect - A very high performance HP proprietary system bus used primarily for graphics cards. Replaced "SGC" beginning with systems introduced in 1994. "E-GSC", so simply "GSC", cards are EISA form factor. "GSC-M" and HSC cards are VME Mezzanine form factor. "GIO" cards are a form factor specific to the Model 712.

HP-FL° Hewlett-Packard Fibre Link - a 5 Mbyte/sec (max.) duplex fiber-optic interface for external mass storage devices. Replaced by SCSI and FC-AL.

HP-IB Hewlett-Packard Interface Bus - a 1 Mbyte/sec (max.) 8-bit, 24-pin, parallel duplex bus. HP's implementation of IEEE-488 1978. Still in use for instrumentation and measurement devices, but replaced as a peripheral interface by SCSI, IEEE-1294 and LAN.

IEEE-1284 A formal standard version of the traditional "Centronics" 25- or 36-pin parallel interface which adds optional duplex modes. PA-RISC workstation parallel ports do not presently support IEEE-1284 enhanced modes.

IEEE-1394 An industry standard version of the "FireWire" 6-pin tiered-star 100/200/400 Mbit/sec bus developed by Apple Computer. HP does not presently offer IEEE-1396 ports for PA-RISC workstations.

Inves. or "Under Investigation": HP desires to support this device or feature, but such support is contingent on resolution of outstanding technical issues.

ISA Industry Standard Architecture. The 8- and 16-bit internal bus and plug-in card standard derived from the IBM PC-AT design. EISA slots can accept ISA cards.

ISG HP's Information Storage Group provides HP-UX support for this device. See "HP Entity Support Contacts" on page 5. for further information.

JetAdmin HP's networked peripheral management software. Aold as media product J2559E° (also formerly J2374A/B/C), and also available at no charge from HP's ftp site, url: <http://www.hp.com:80/cposupport/indexes1/wjwinnts.html>

lvdSCSI - 16-bit "wide" low voltage differential SCSI.

NA "not applicable".

ndSCSI - 8-bit differential SCSI, 10 MHz

No or "**Does not function**" Indicates that the device is not supported by the mainframe or operating system shown in that column and does not work. "Does not function" in a hardware column indicates that the device has no interface or cable. "Does not function" in a software column indicates that the device either has no supporting software or cannot perform all functions required for support.

NOP No Operation. The device is ignored by the boot ROM or driver.

nsSCSI - 8-bit "narrow" single-ended SCSI (5 or 10 MHz)

PCG HP's Personal Computer Group provides HP-UX support for this device. See "HP Entity Support Contacts" on page 5. for further information.

Planned Testing was in progress at time of publication and HP plans to support the configuration indicated by that entry. Contact your HP Sales Representative for current information.

Qualified (under Hardware Support) The peripheral is not formally supported by Hewlett-Packard, but that a representative sample was tested for EMI/RFI and functionality. An entry of "Vendor:" or "HP-ABC:"

under "Hardware Support" means that the peripheral is supported on the PA-RISC Workstation by the peripheral vendor or by the division of HP that supplies the device. "Qualified" peripherals may or may not be distributed by Hewlett-Packard.

SCSI Small Computer Systems Interface - A medium performance 8- or 16-bit bus for internal and external computer peripherals. There are three major variations of SCSI (nsSCSI, ndSCSI and fwdSCSI), depending on bus width, line driver electronics and clock rate. There are also several different connector styles in use, a topic beyond the scope of this document.

A device of any given variety can only be connected to a bus of the same variety. Damage may result from interconnections of se/df (and narrow/wide without appropriate cables). PA-RISC Workstation "nsSCSI" busses are rated as "fast" when connected only to internal devices.

SGC System Graphics Connect - A very high performance HP proprietary system bus used primarily for graphics cards. Replaced by "GSC" beginning with systems introduced in 1994. Standard SGC cards are HP DIO-II form factor. "E-SGC" cards are EISA form factor.

SICL Standard Instrument Control Library.

SICL support for devices on HP-UX release 8.x requires SICL product E2019C°, no longer supplied.

SICL support for devices on HP-UX releases 9.x and 10.01 requires current SICL product E2091D.

SICL support for 10.10 is not planned. The next scheduled release, product E2091E, supports 10.20

Use of SCPI (Standard Commands for Programmable Instruments) devices may also require the E1582B run-time tool, or the E1572B C-SCPI Development tool and a C compiler.

Supported (under "Hardware Support") The peripheral complies with at least FCC Class A and at least VDE/FTZ Level A in a system configuration. These classifications refer to the electromagnetic interference (EMI/RFI) properties of the system. It also means that configuration documentation, and a diagnostic or exerciser program exists for that mainframe and HP offers on-site service of a system in this configuration.

T.B.D. To Be Determined

TSIO TeleShare I/O - a GSC-subset slot in a Model 712 that supports only the A4012AA TeleShare card.

Unsupported "Unsup." and "**Uns.**" the device is untested and no testing is planned. They are, however, "not known to not work" (otherwise they would be "No"). These devices should not be purchased for use with the mainframe/operating system under which the "Unsupported" appears.

USB Universal Serial Bus - a 4-wire tiered-star 12 Mbit/sec bus developed by Intel. HP does not presently offer USB ports for PA-RISC workstations.

uwsSCSI - 16-bit "wide" single-ended Ultra SCSI.

Vendor: Although referenced or distributed by HP, this product is supported by the original equipment vendor, and not by HP.

Appendix A: Product Illustrations

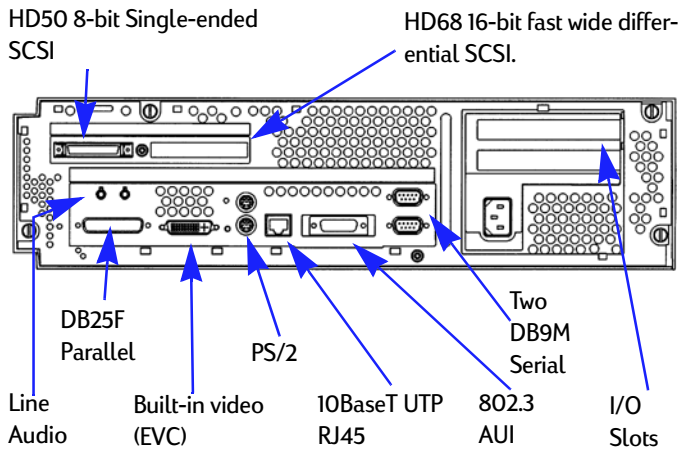
B-Class Desktop Workstations

The B-Class is an active line of desktop single-processor workstations.

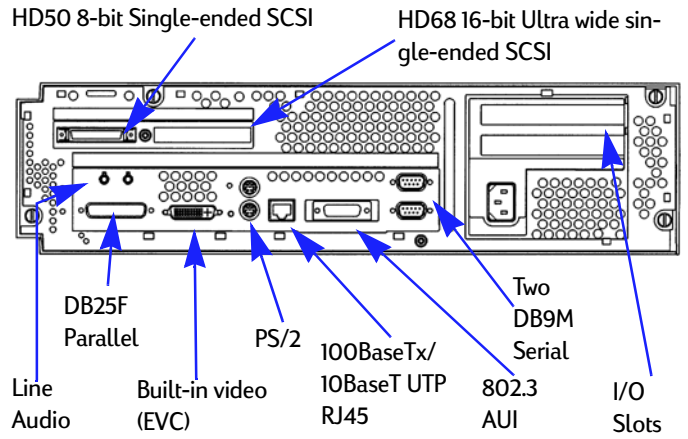
B-Class Front View



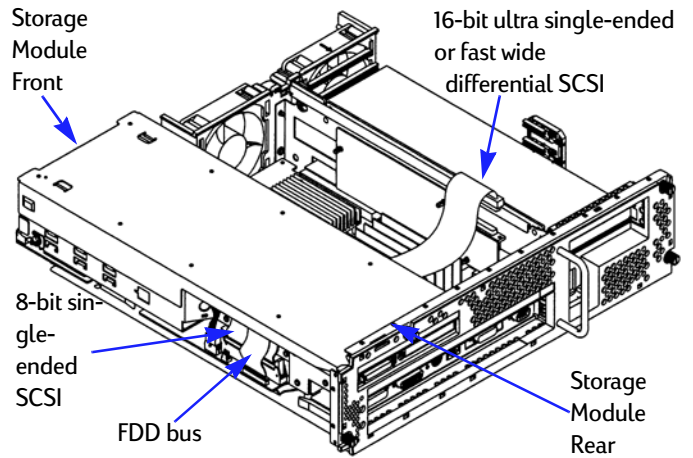
B132L, B160L Rear Panel



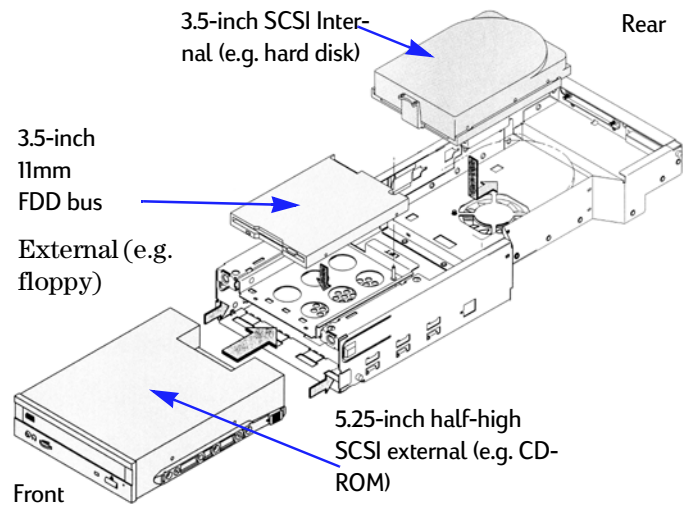
B132L+, B180L Rear Panel



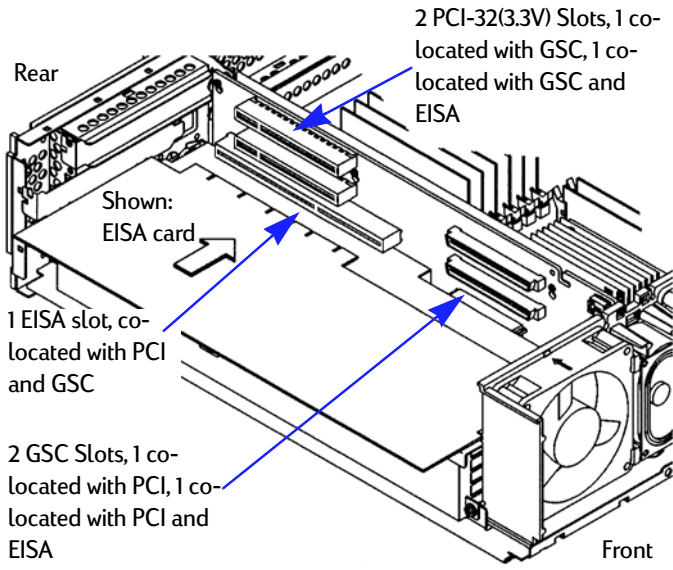
B-Class Mass Storage Module



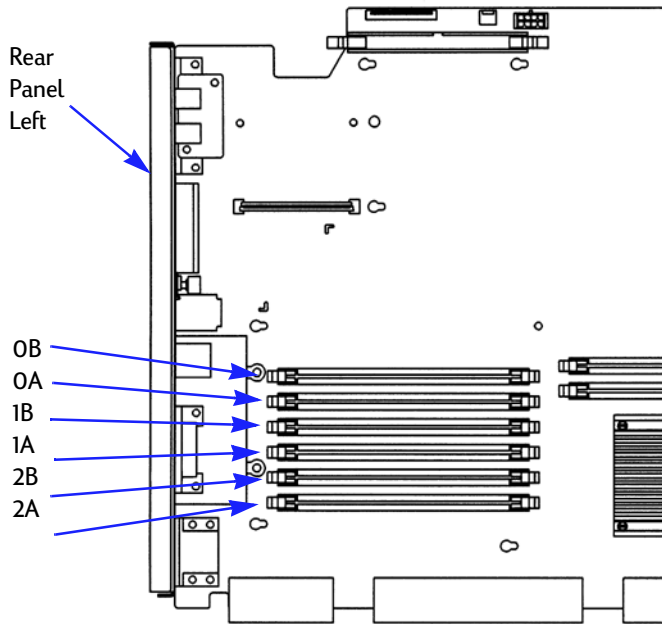
B-Class Mass Storage Devices



Model B132L/B160L I/O Slots



Model B132Lplus and B180L I/O Slots B-Class RAM



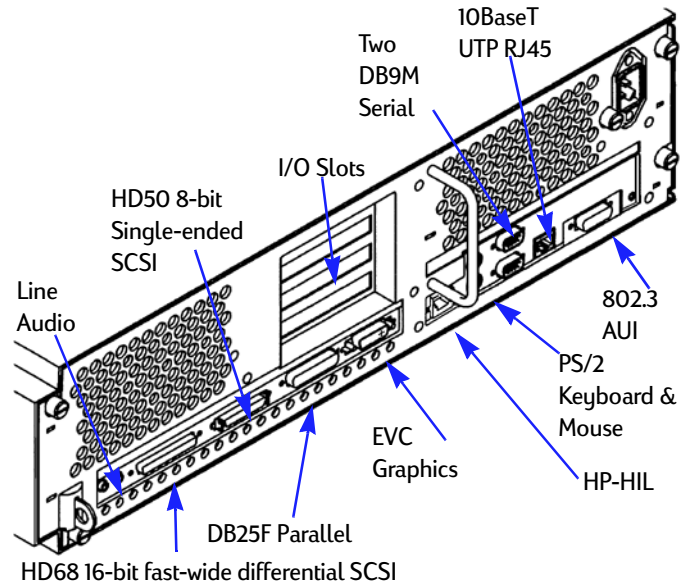
C-Class Desktop Workstations

The C-Class is an active line of power desktop single-processor workstations.

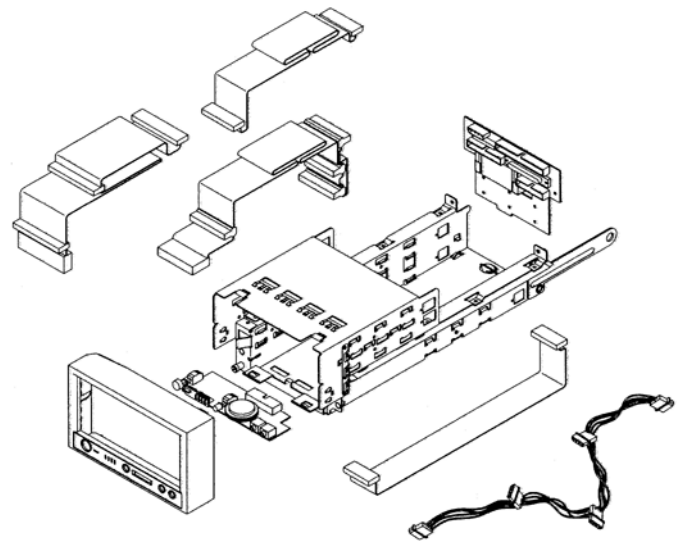
C-Class Front View



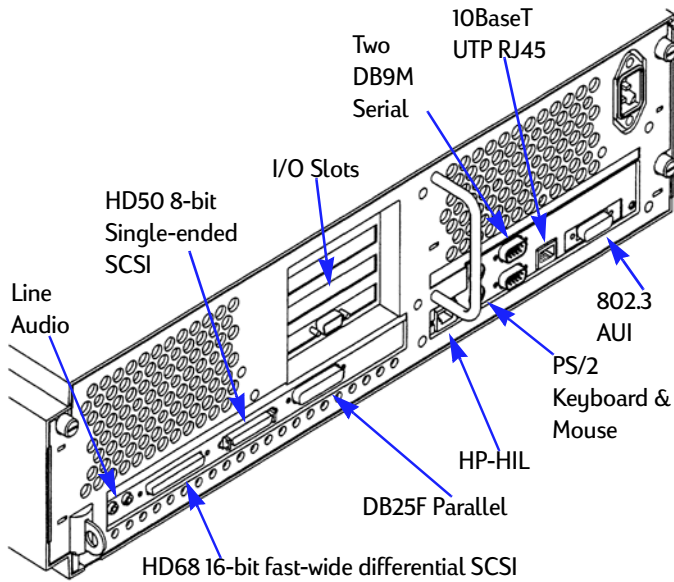
Model C160L, C180 and C180-XP Rear Panel



Model C200 and C240 Rear Panel C-Class Storage Tray & Components



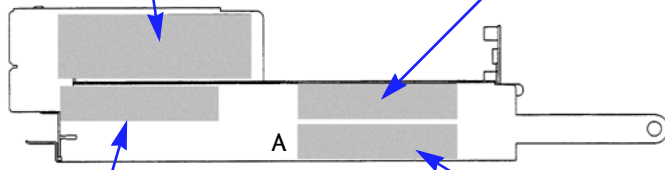
Model C100 and C110 Rear Panel



C-Class Storage Tray Bays

CD-ROM or DDS.
5.25-inch Half-Height External Bay.

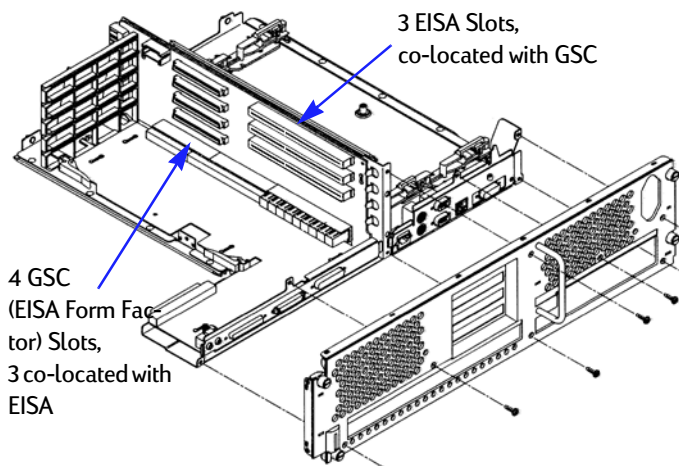
1-inch high hard drive. 3.5-inch Low-Profile Internal Bay. Not available if a 1.6" device is in bay A



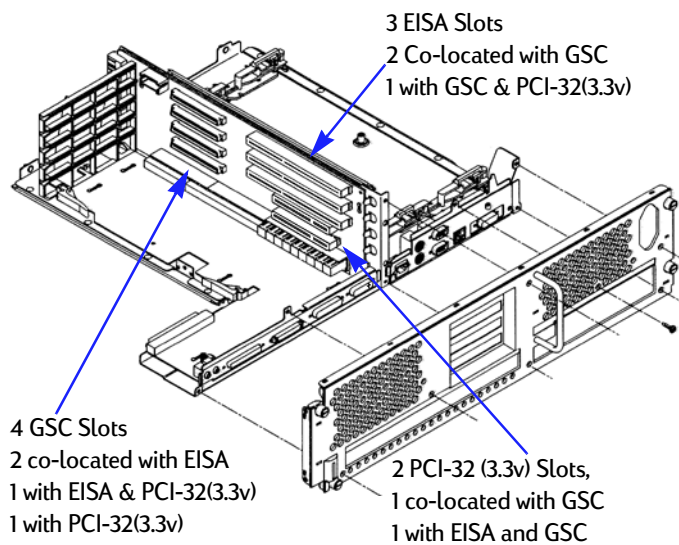
Floppy or 1-inch high hard drive. 3.5-inch Low-Profile External Bay.

1.6- or 1.0-inch hard drive. 3.5-inch Low-Profile Internal Bay. (1.6-inch only if no device above it).

Model C100 and C110 I/O Slots

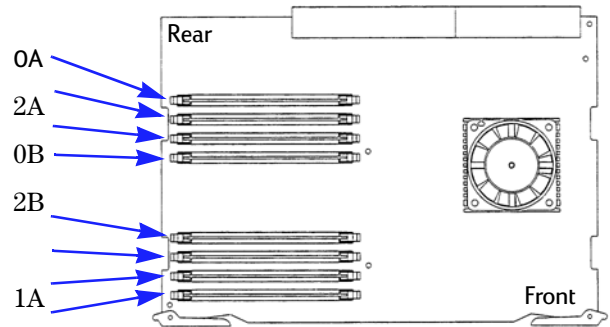


Model C160L, C180 and C180-XP I/O Slots

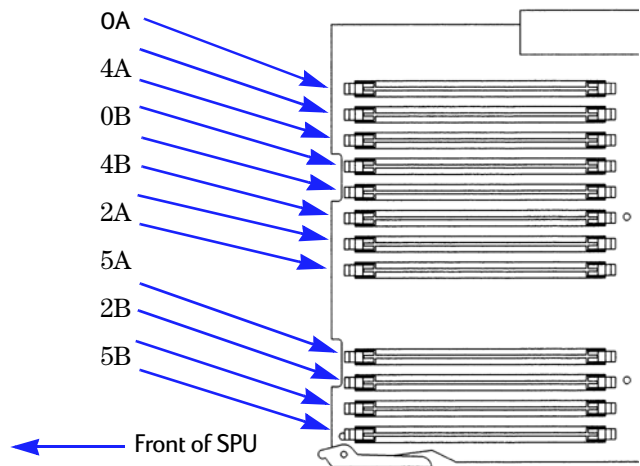


Model C200 and C240 I/O Slots

RAM



C160L, C180, C200 and C240 RAM



EPS Enterprise Parallel Servers

EPS is an active line of rack-mount technical servers based on multiple K-Class SPUs.

EPS Front View



EPS Storage



EPS RAM and I/O Slots (see K-Class)

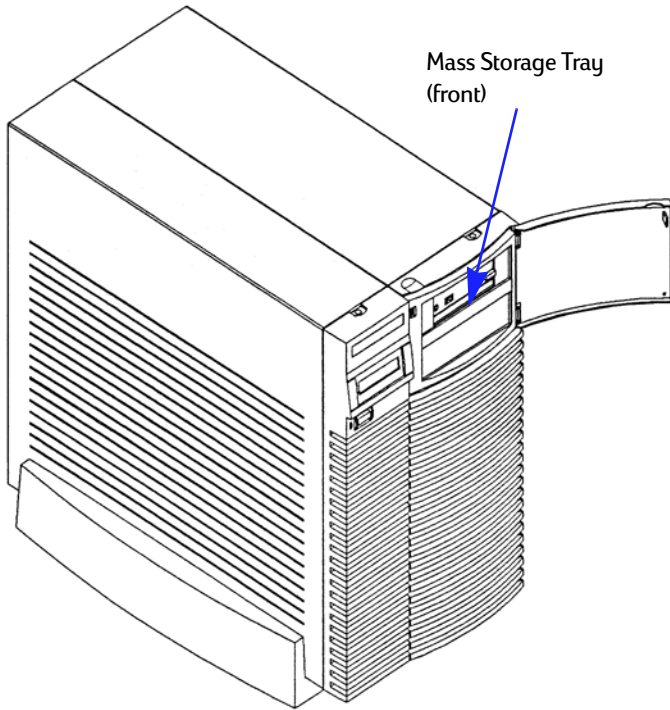
EPS Rear Panel



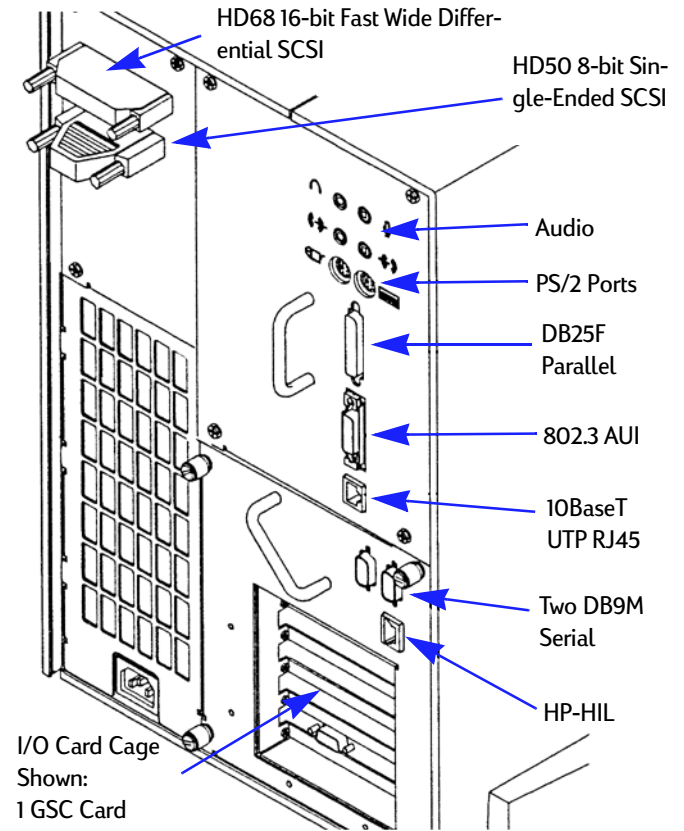
J-Class Deskside Workstations

The J-Class is an active line of desktop single- and dual-processor deskside workstations.

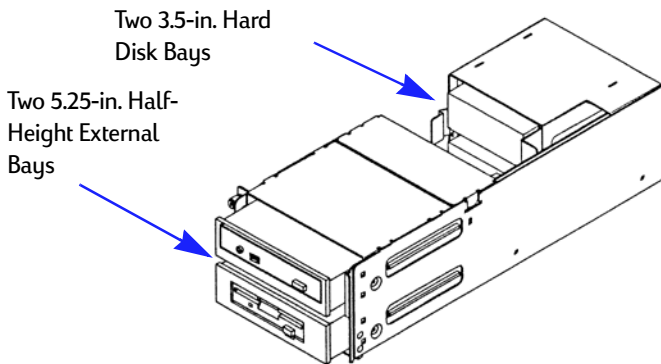
J-Class Front View



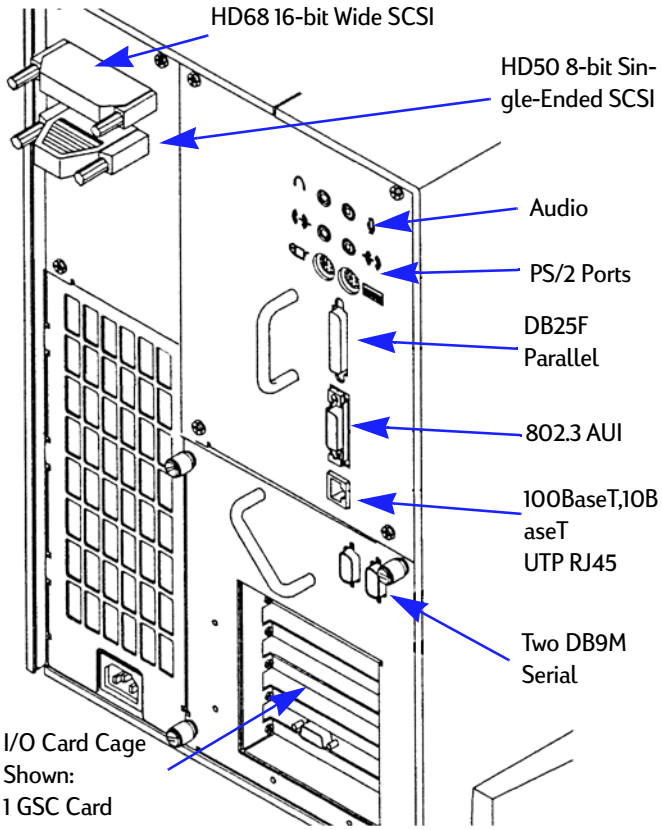
Model J200, J210, J210XC, J280 & J282 Rear Panel



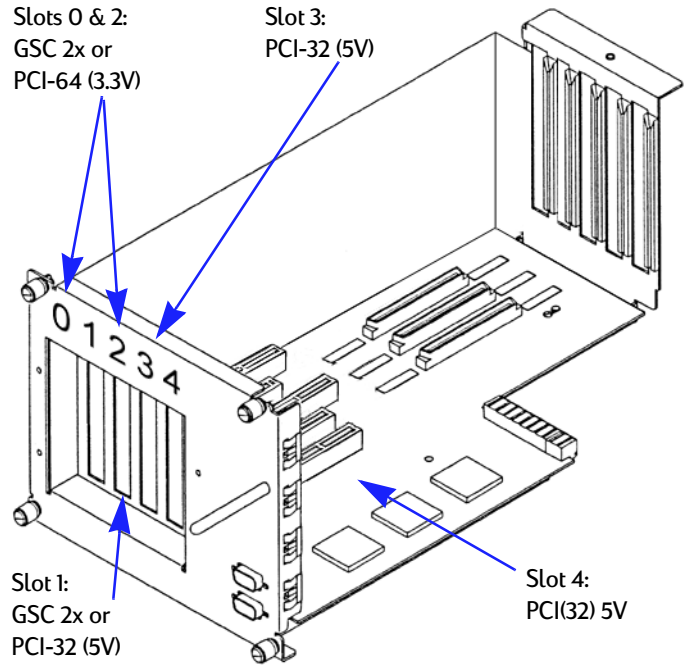
J-Class Mass Storage



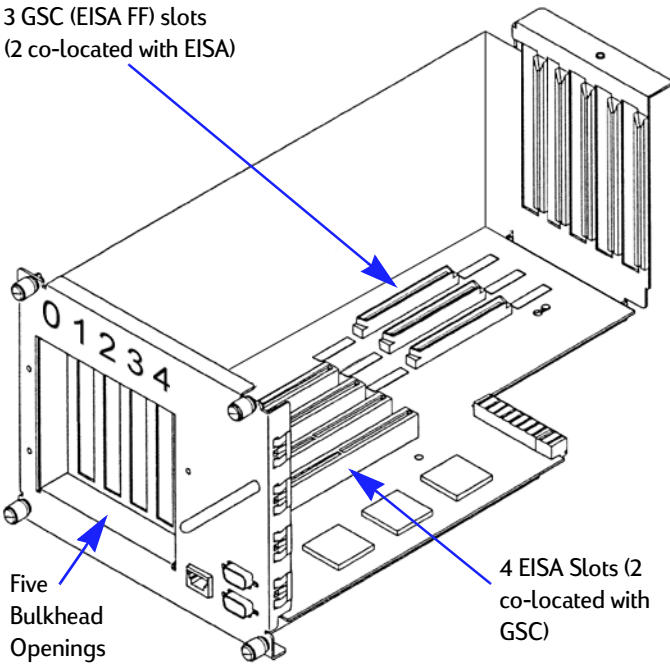
Model J2240 Rear Panel



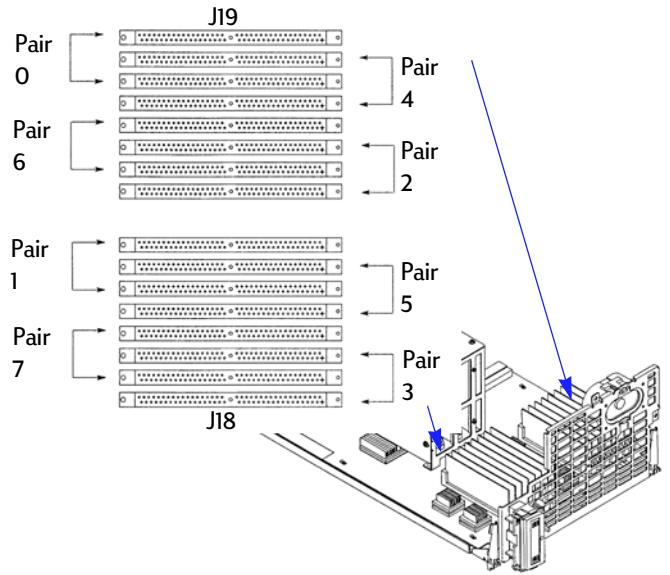
Model J2240 I/O Slots



Model J200, J210, J210XC, J280 and J282 I/O Slots
(Card cage shown rotated 90° right)



J-Class RAM



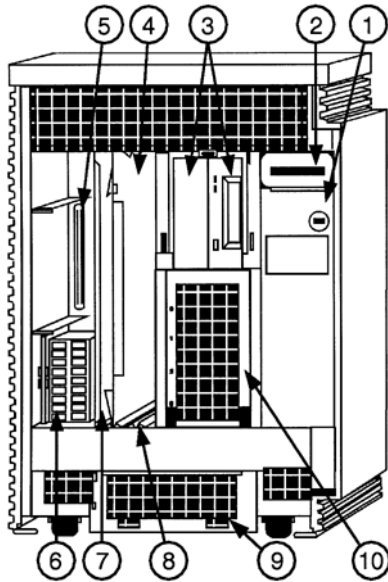
K-Class SMP Super Workstations

The K-Class is an active line of desktide single and multi-processor SPUs. A few K-Class models are available in a workstation configuration (with integrated high-performance graphics).

K-Class Front Photo (All Models)

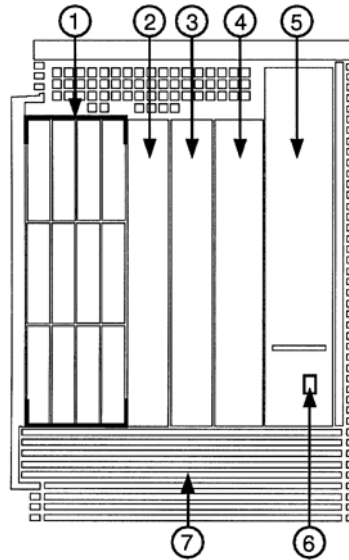


K-Class Front Slots and Bays



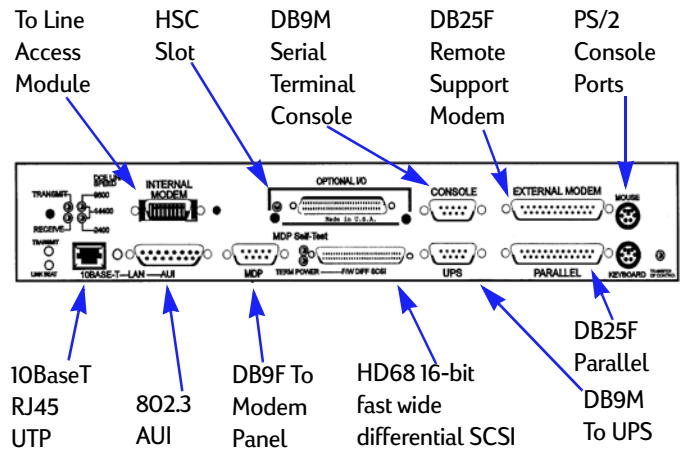
1. SPU Key Switch
2. LCD Panel
3. External Bays
4. Processor 0
5. Memory Carrier 1
6. Memory Carrier 0
7. Power Monitor
8. Processor 1
9. Front Fan
10. Internal Storage

K-Class Rear Slots and Bays



1. HP-PB
2. Core I/O (see next figure)
3. HSC Expansion
4. Processor Bulkhead, rear
5. Power Supply
6. AC Power
7. Rear fan access

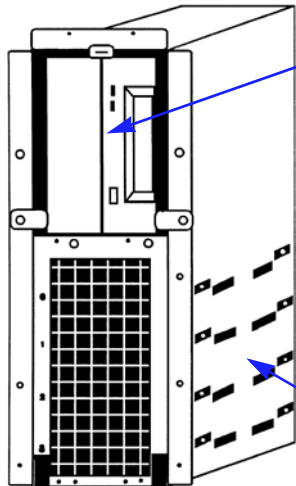
K-Class Core I/O



K-Class HP-PB and HSC I/O Slots

SLOT 2 (10/16/8)	SLOT 1 (10/16/4)	HP-PB 1 (10/16/4)		
SLOT 4 (10/16/16)	SLOT 3 (10/16/12)			
SLOT 2 (10/4/8)	SLOT 1 (10/4/4)	HP-PB 0 (10/4/4)		
SLOT 4 (10/4/16)	SLOT 3 (10/4/12)			
Core I/O				
SLOT 0 (8/0)	SLOT 1 (8/4)	SLOT 2 (8/8)	SLOT 3 (8/12)	HSC (8/4)
Processor 2				
Processor 3				Processor CPU

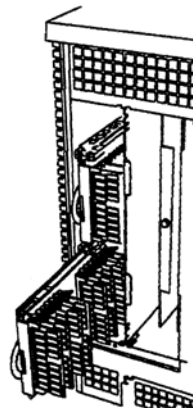
K-Class Storage



Two 5.25-inch Half-Height External Bays, 8-bit single-ended SCSI.

Four 3.5-inch (1-inch high) Internal Bays, 16-bit fast wide differential SCSI

K-Class RAM



One or two carriers, each having 16 slots (8 slot pairs). See A2375-90009 System Memory Upgrade Guide for details.

MPS10 (and 735CL)

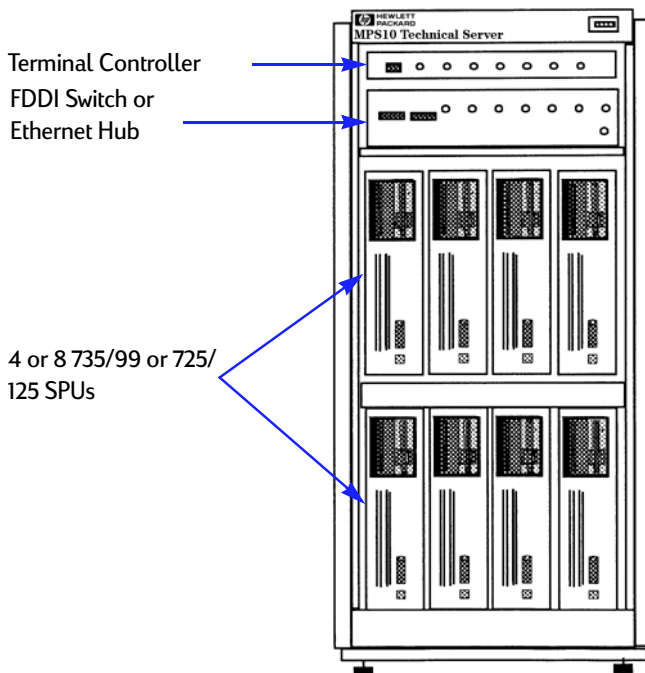
The MPS10 (formerly named the 735CL) are discontinued rack-mount parallel technical servers based on the Model 735 SPU. The MPS10 was replaced by the EPS.

For individual SPU configuration information, see the Model 735 sections of this Appendix.

MPS10 Rear Panels



MPS10/735CL Front View



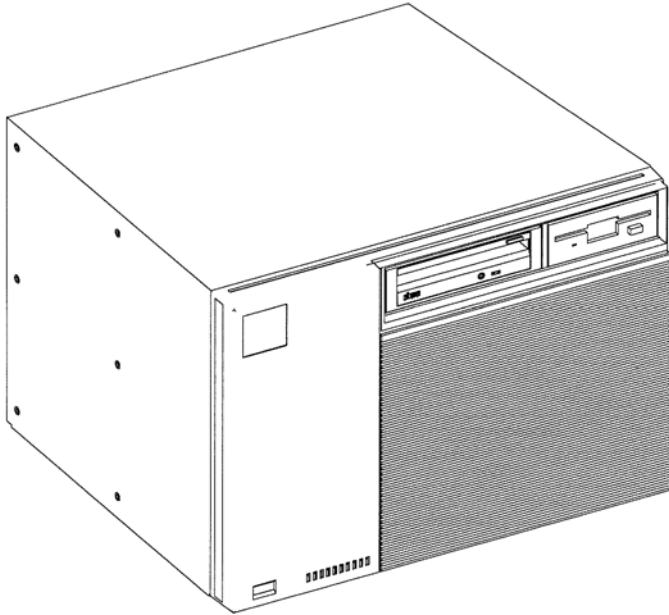
Terminal Controller
FDDI Switch or Ethernet Hub

4 or 8 735/99 or 725/125 SPUs

TelePACE

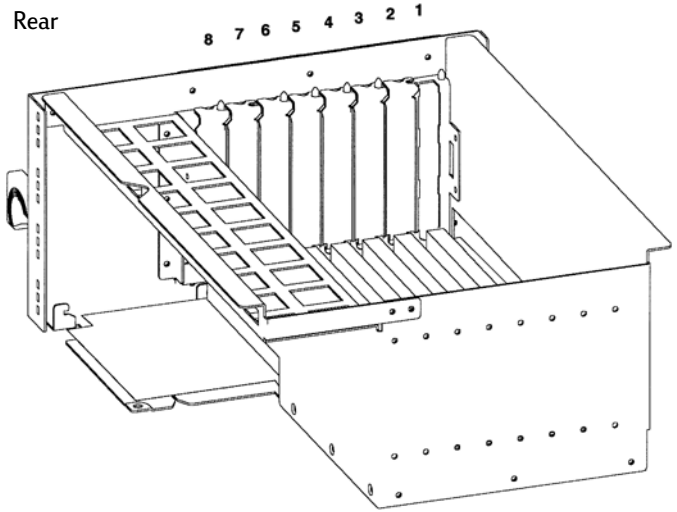
TelePACE is a rackable industrial workstation configured specifically for the telecommunications industry. It is a derivative of the Model 748, with the major differences being dual-redundant 48 Vdc power, 8 EISA slots (vs. 4) and 4 VME slots (vs. 8).

TelePACE Front Photo



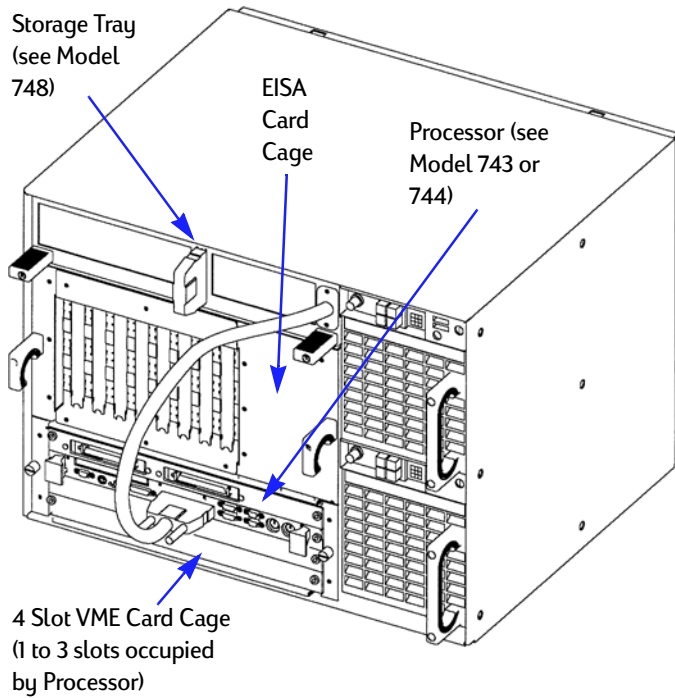
(see Model 748 Standard Tray)

TelePACE 8-Slot EISA Card Cage



TelePACE Processor Panel
(see Model 743 or 744)

TelePACE Rear Panel



TelePACE Storage Tray

Model 705 and 710

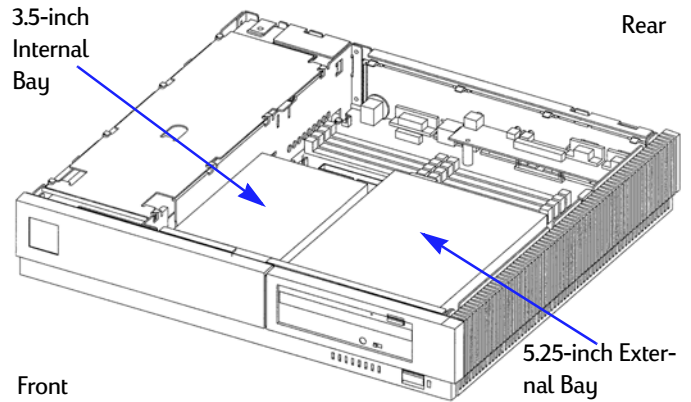
The Model 705 and 710 are discontinued single-processor desktop workstations. They provide no I/O slots.

Some Model 710 SPUs may have been upgraded from the MC68040-based Model 425e. This document refers to these upgraded systems as Model 710e, and it is physically identical to a standard Model 710, except for using 425e RAM and storage devices.

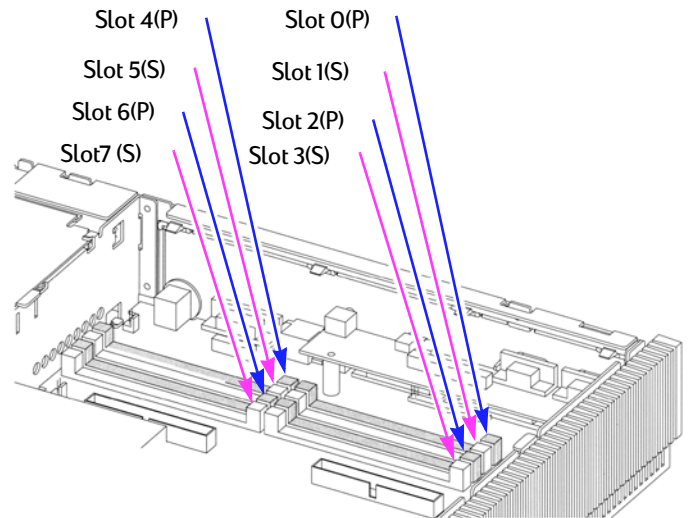
Model 705 and 710 Front View



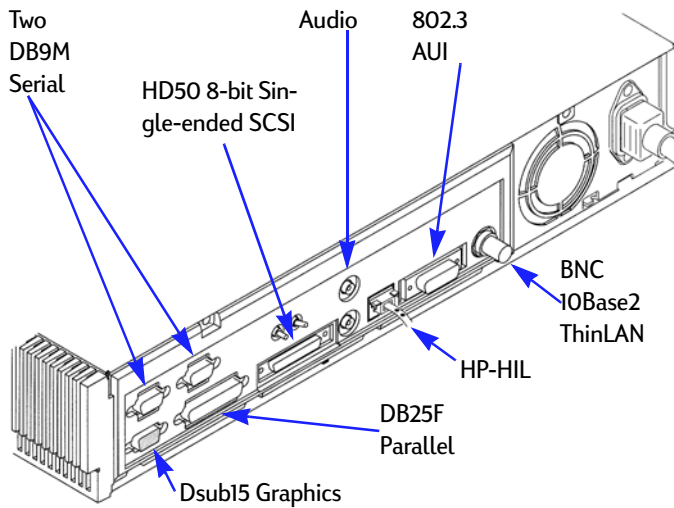
Model 705/710 Mass Storage



Model 705/710 RAM Slots



Model 705/710 Rear Panel

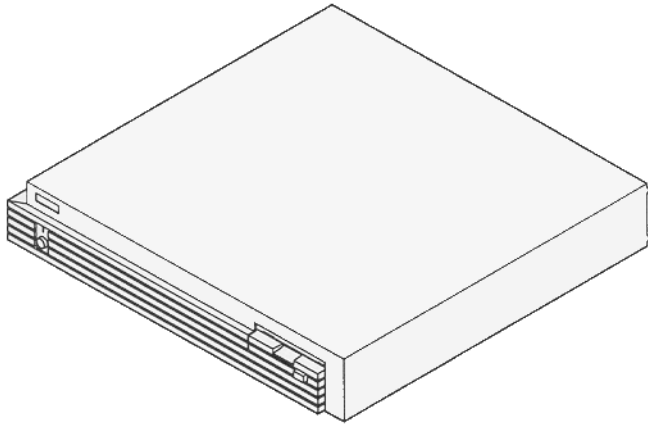


Model 710 (See Model 705)

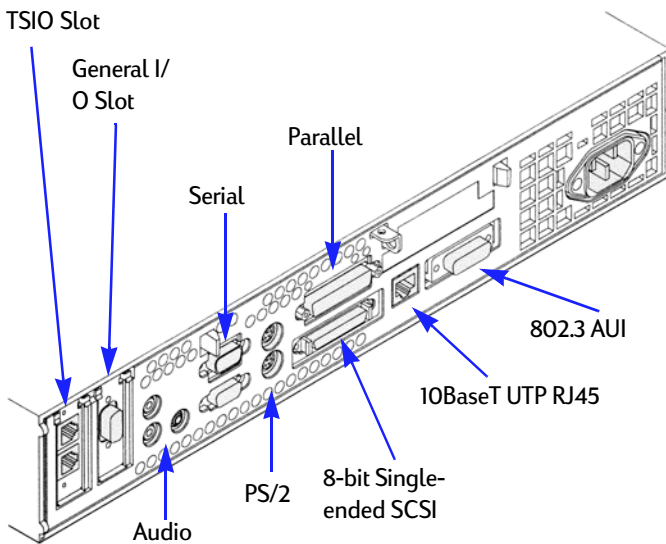
Model 712

The Model 712 is a current single-processor desktop workstation. The 712 provides a single general I/O slot, for which several 712-specific I/O cards are available, and a single TeleShare I/O slot.

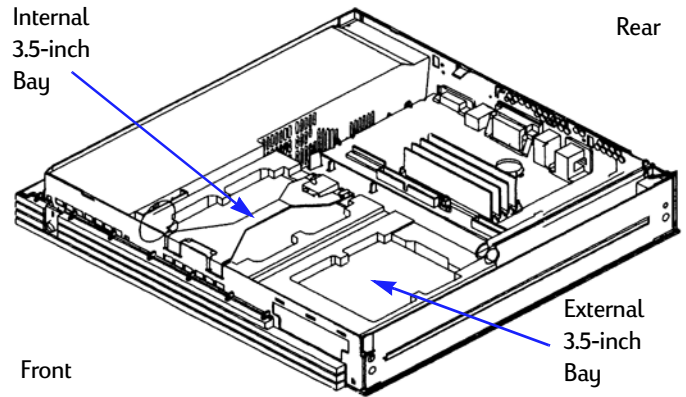
Model 712 Front View



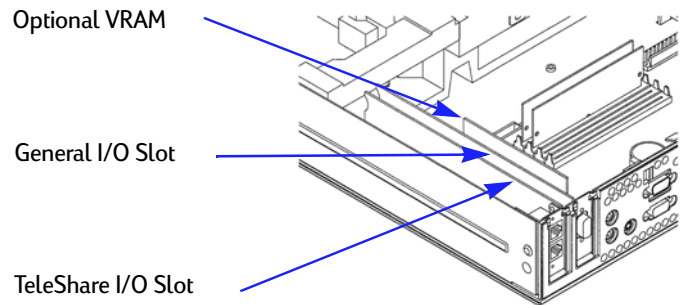
Model 712 Rear Panel



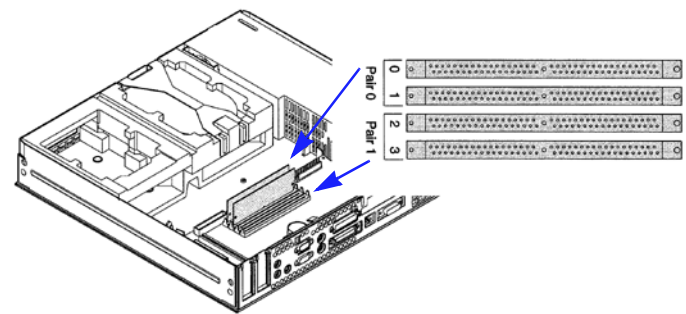
Model 712 Storage



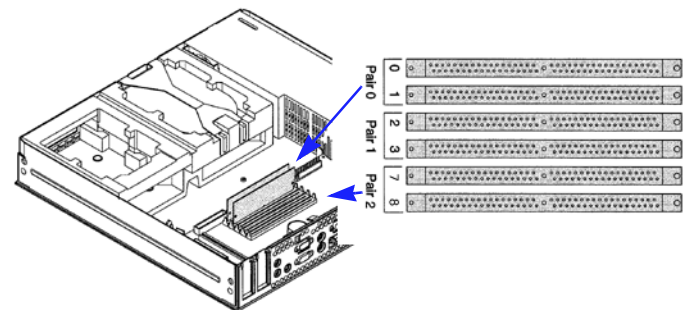
Model 712 I/O Slots



Model 712/60 and 712/80 RAM Slots



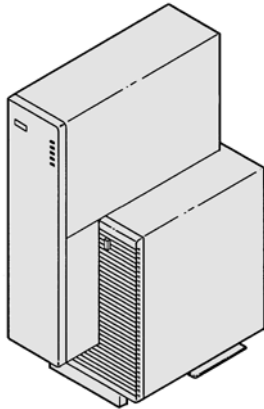
Model 712/100 RAM Slots



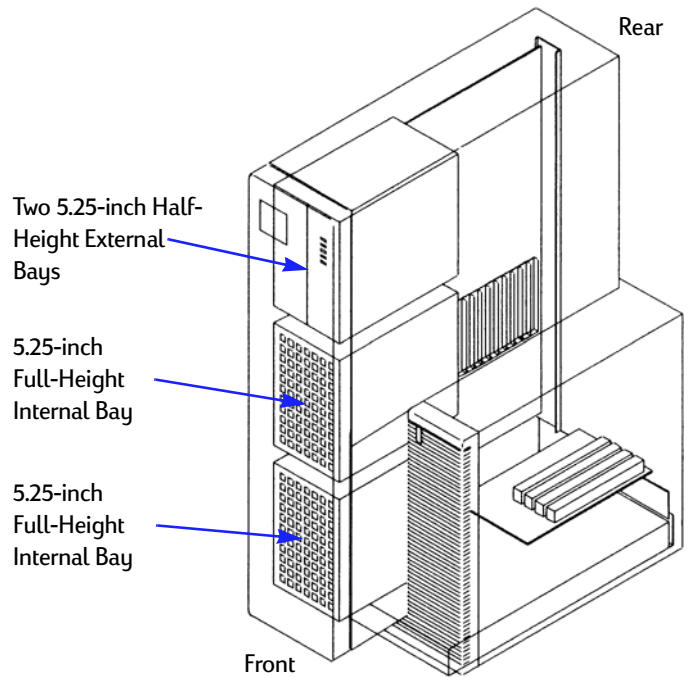
Model 715s (Upgraded Model 425s or 433s)

The Model 715s is a single-processor desktside workstation upgraded from an MC68040-based Model 425s or 433s. The upgrade kit is discontinued. The 715s is more similar to a Model 750 than to a standard (as-built) Model 715.

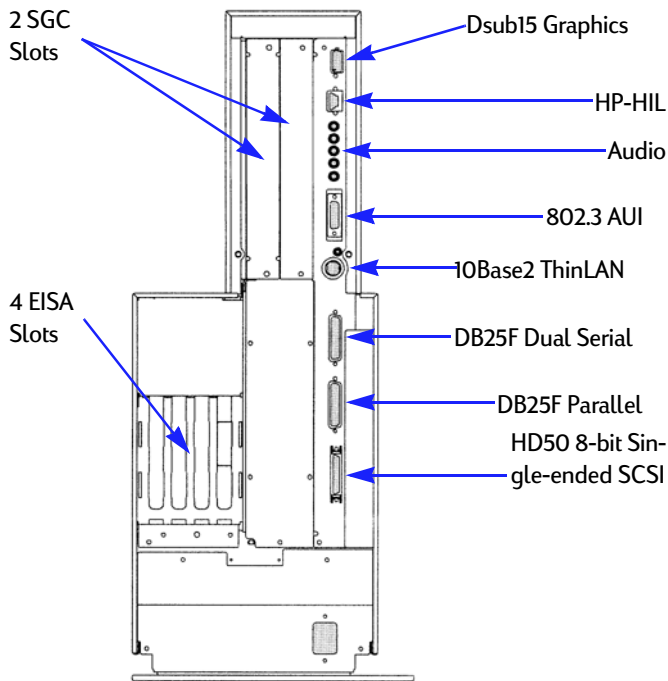
Model 715s Front View



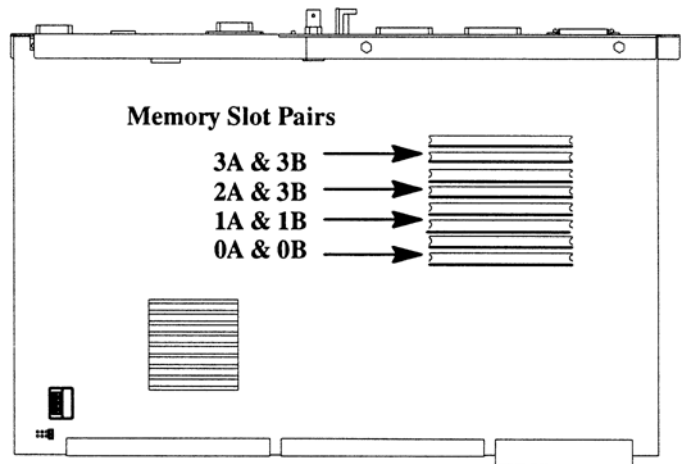
Model 715s Storage



Model 715s Rear Panel



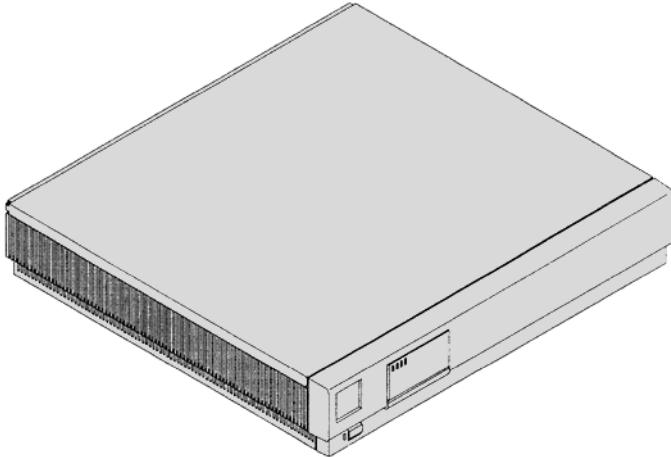
Model 715s RAM



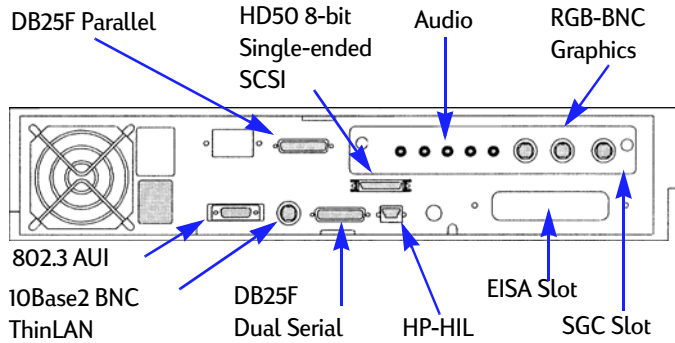
Model 715t (Upgraded Model 425t or 433t)

The Model 715t is a single-processor desktside workstation upgraded from an MC68040-based Model 425t or 433t. The upgrade kit is discontinued. The Model 715t is not similar to any standard (as-built) Model 715. The closest standard Series 700 SPU would be the Model 730.

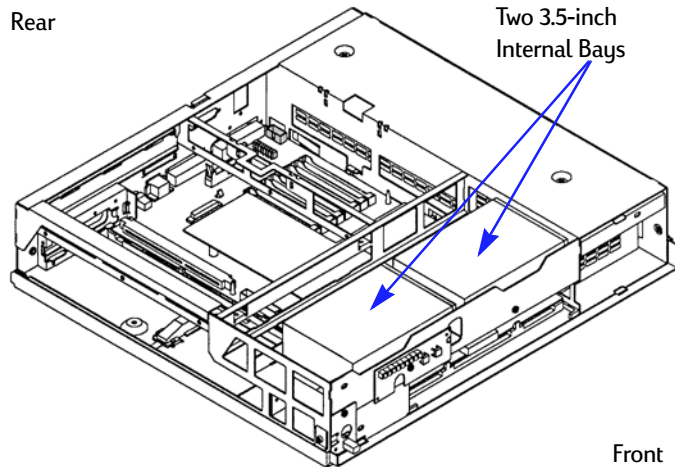
Model 715t Front View



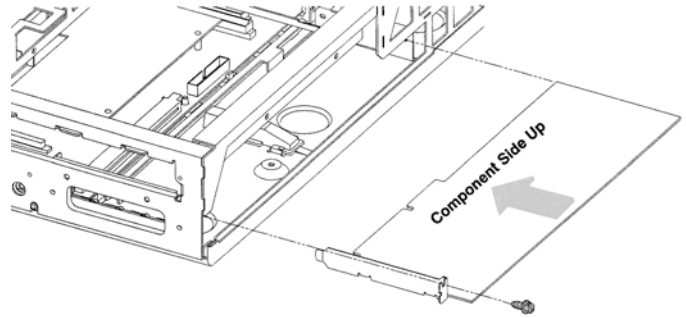
Model 715t Rear Panel



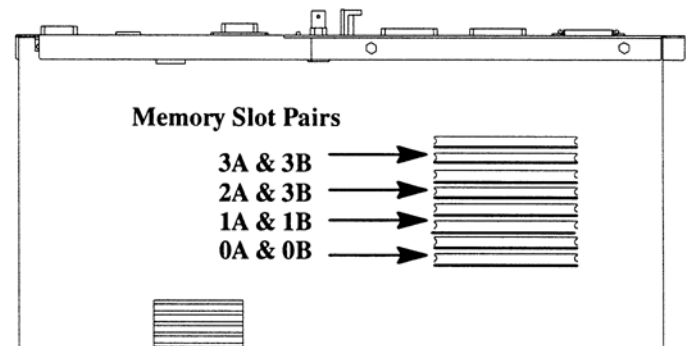
Model 715t Storage



Model 715t ISA Slot



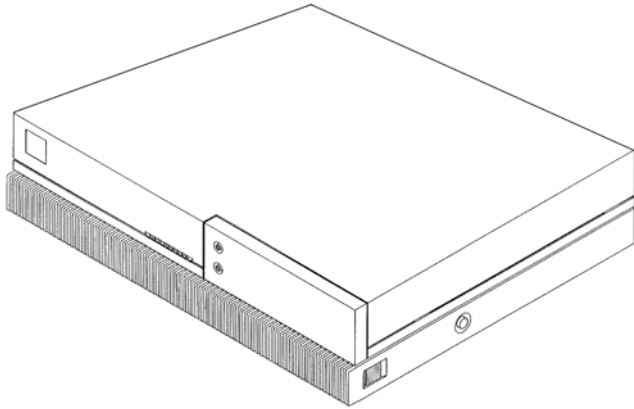
Model 715t RAM



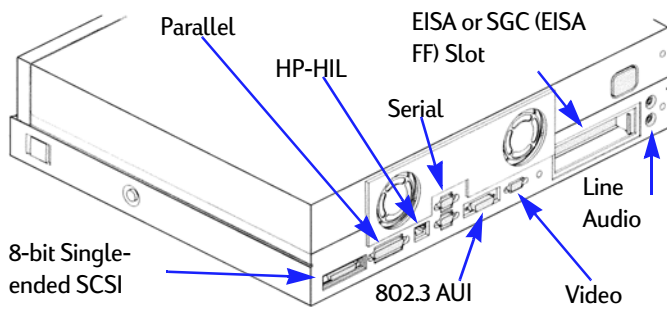
Models 715/33, 715/50, 715/75 (SGC-Based Models)

The SGC-based standard 715 Models are discontinued single-processor desktop workstations. They provided a single I/O slot that could be occupied by an EISA card or an EISA-form-factor SGC graphics card.

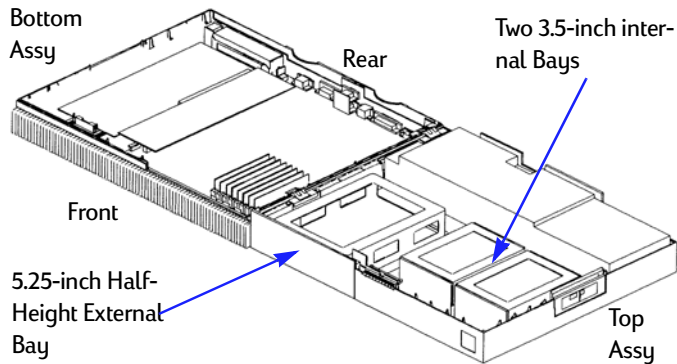
Model 715 (SGC) Front View



Model 715 (SGC) Rear Panel



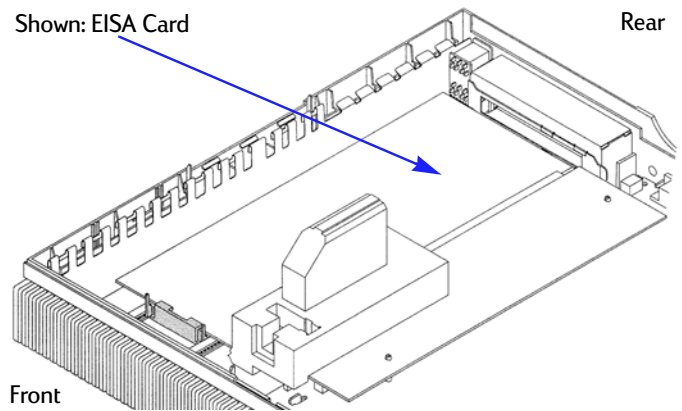
Model 715 (SGC) Storage



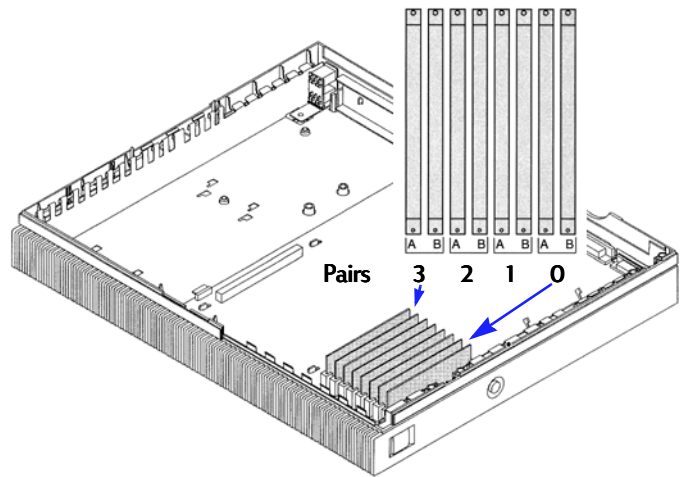
Model 715 (SGC) I/O Slot

Use of an EISA card requires an A2804A adaptor kit. Use of either an EISA card or SGC (EISA FF) card occupies the sole bulkhead opening and prevents use of the other card

type.



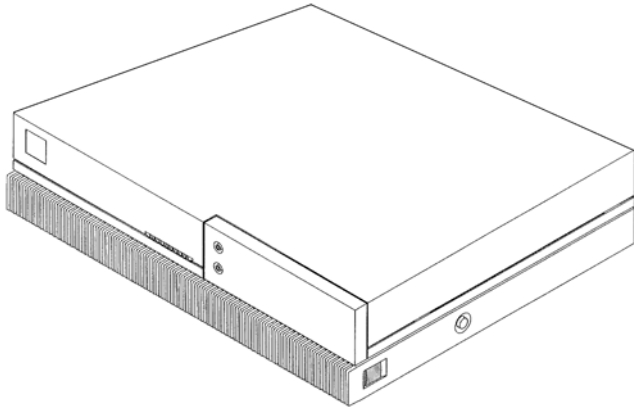
Model 715 (SGC) RAM



Models 715/64, 715/80, 715/100, 715/100XC (GSC-Based Models)

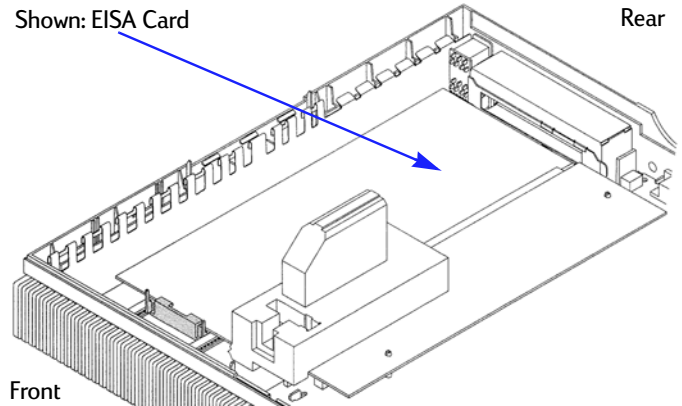
The GSC-based 715 Models are discontinued single-processor desktop workstations. All provided a single I/O slot that could be occupied by an EISA card or an EISA-form-factor GSC graphics card.

Model 715 (GSC) Front View



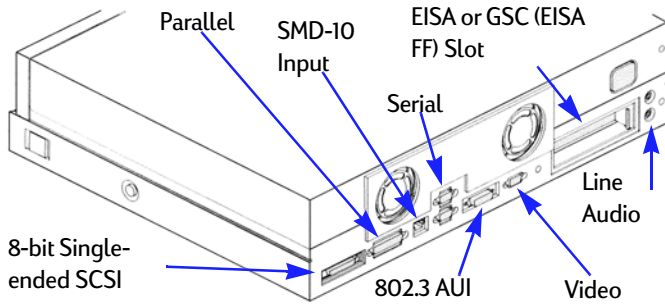
Model 715 (GSC) I/O Slot

Use of an EISA card requires an A2804A adaptor kit. Use of either an EISA card or GSC card occupies the sole bulk-head opening and prevents use of the other card type.

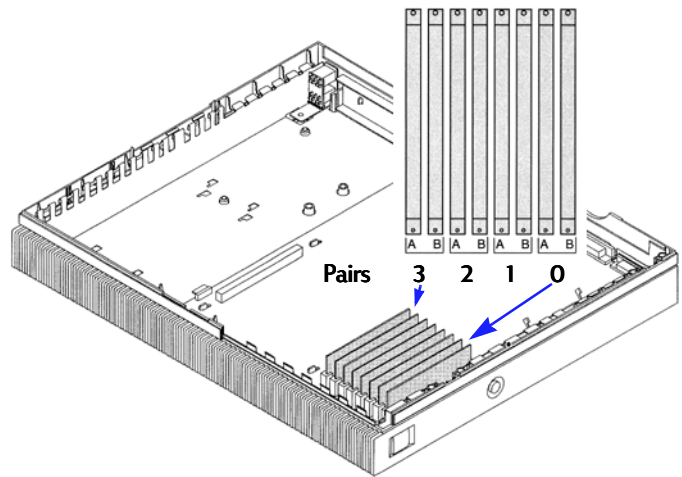


Model 715 (GSC) Rear Panel

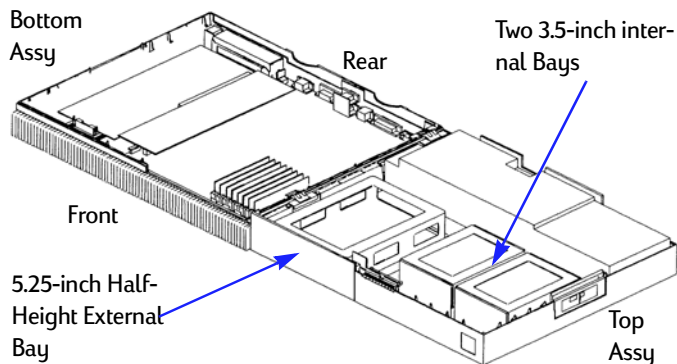
The SMD-10 connector cables to an external A4022-62005 adaptor which provides HP-HIL and PS/2 ports.



Model 715 (GSC) RAM



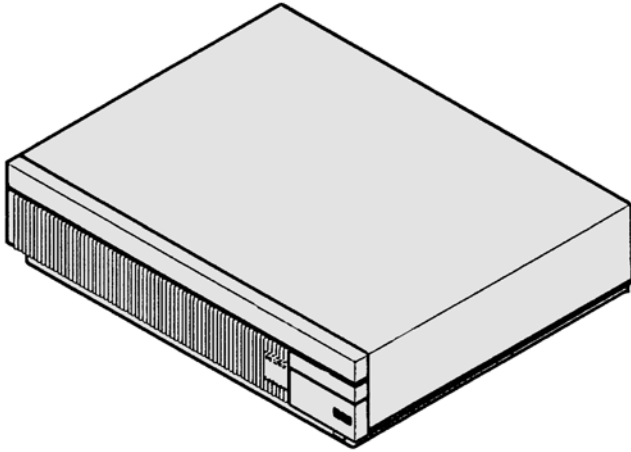
Model 715 (GSC) Storage



Models 720 and 730

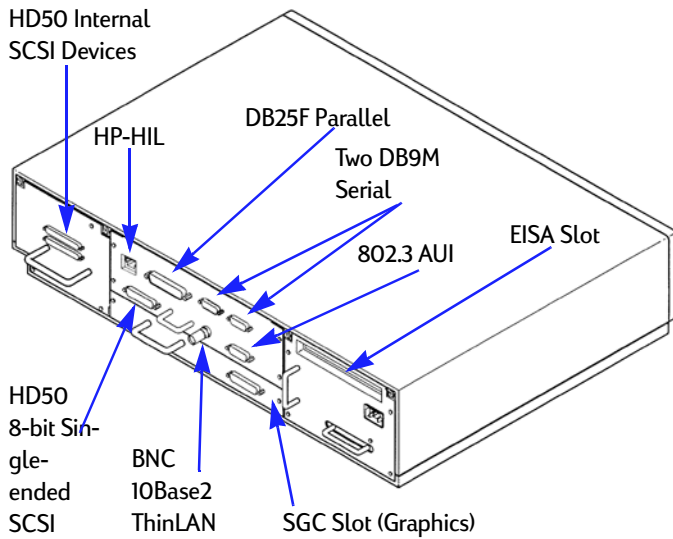
The Model 720 and 730 are single-processor desktop workstations. They are discontinued and several product instances are now off support life.

Model 720/730 Front View

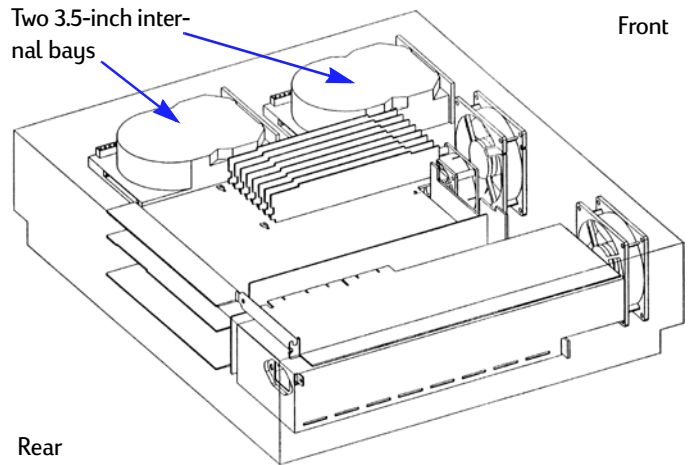


Model 720/730 Rear Panel

The EISA slot is optional on the Model 720

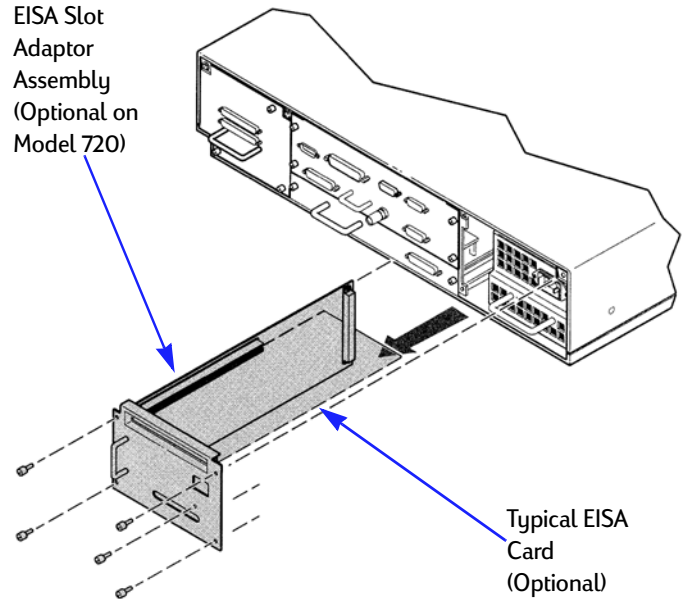


Model 720/730 Storage



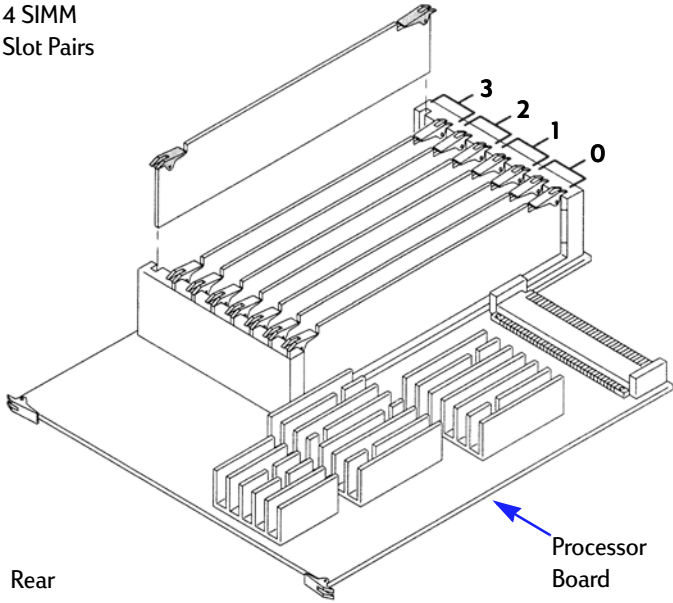
Model 720/730 I/O Slot

EISA Slot Adaptor Assembly (Optional on Model 720)



Model 720/730 RAM

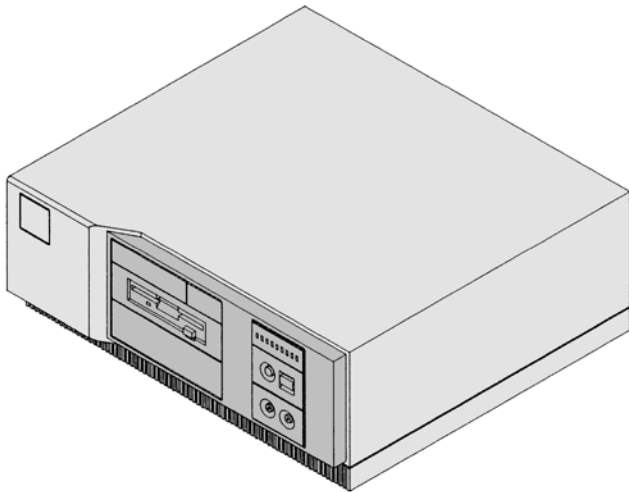
4 SIMM
Slot Pairs



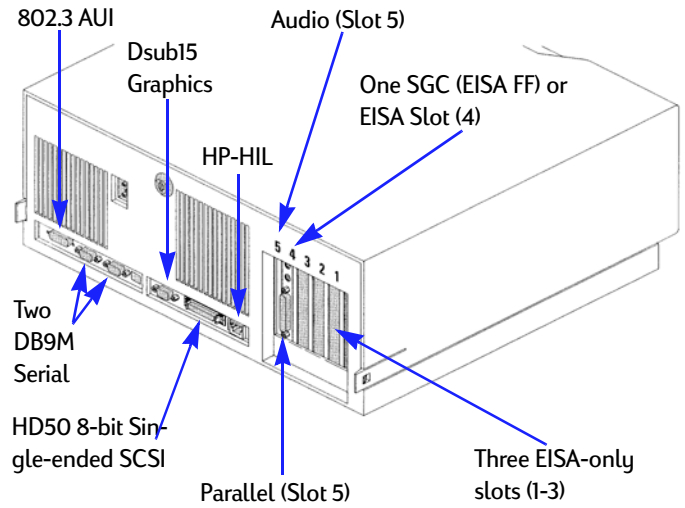
Models 725/50, 725/75 (SGC-Based Models)

The SGC-based 725 Models are discontinued single-processor desktop workstations.

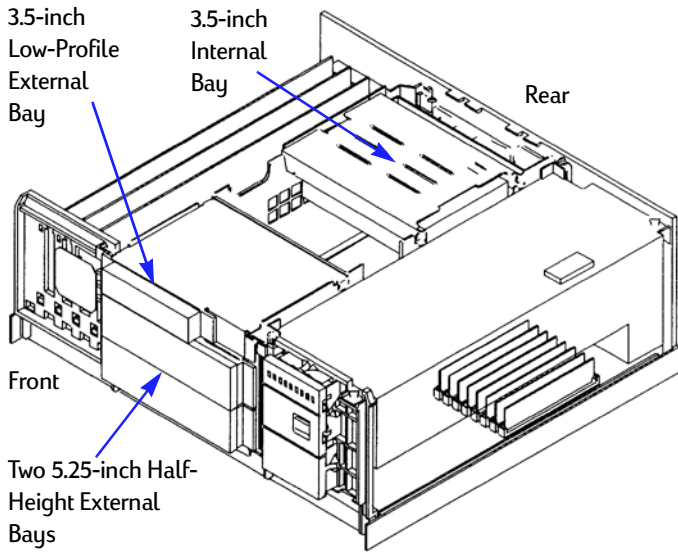
Model 725 (SGC) Front View



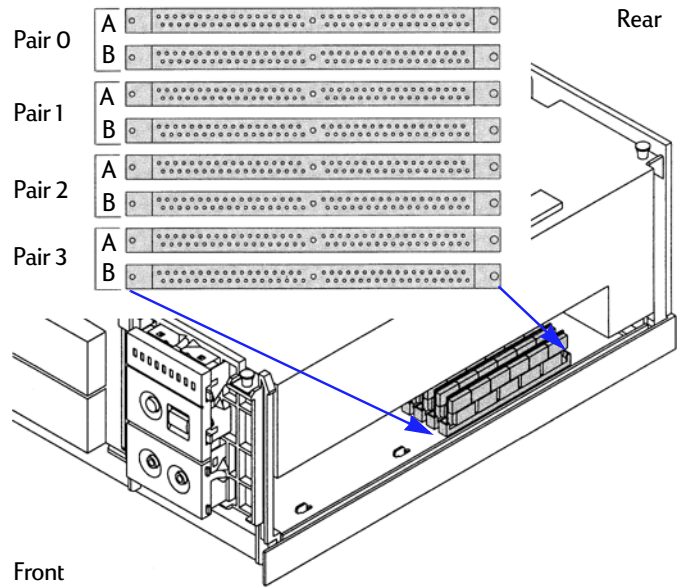
Model 725 (SGC) Rear Panel



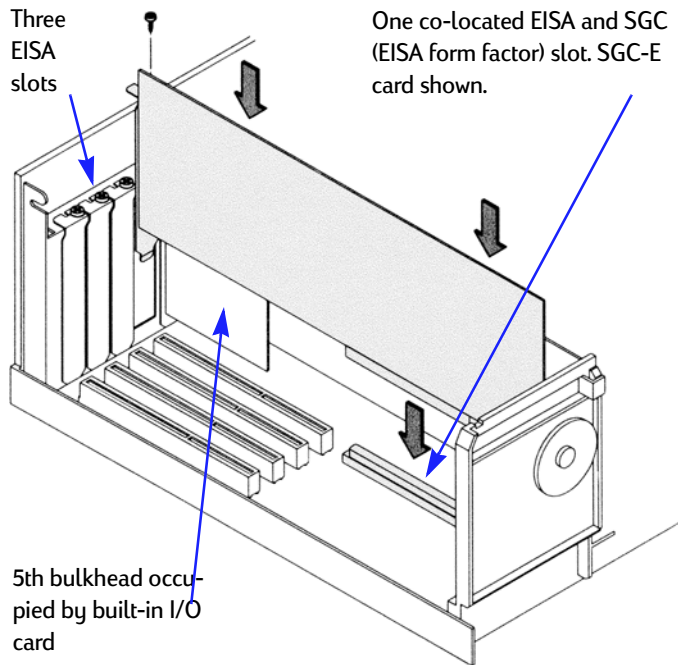
Model 725 (SGC) Storage



Model 725 (SGC) RAM



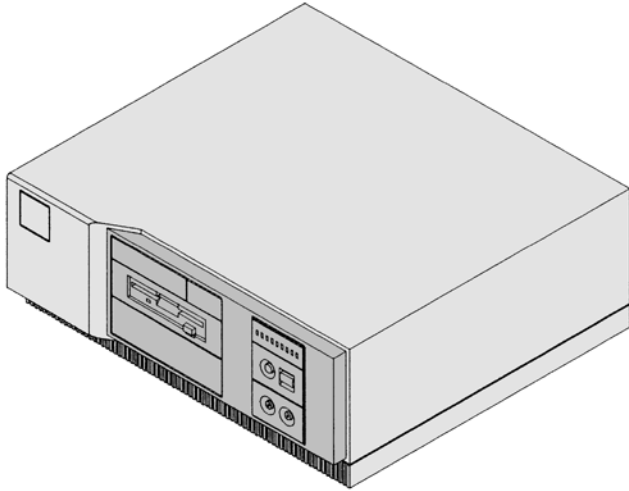
Model 725 (SGC) I/O Slots



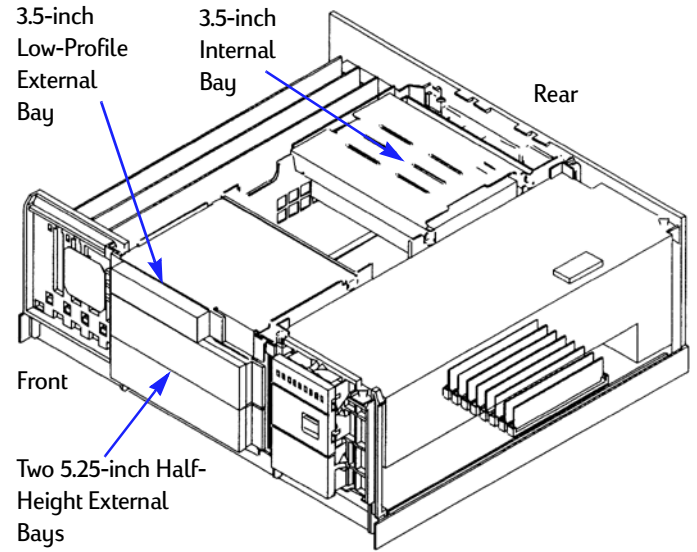
Model 725/100 (GSC-Based Model)

The 725/100 is a discontinued GSC-based single-processor desktop workstation.

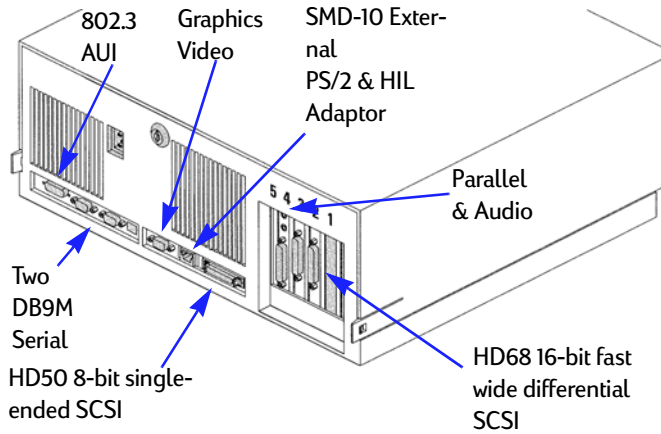
Model 725/100 Front View



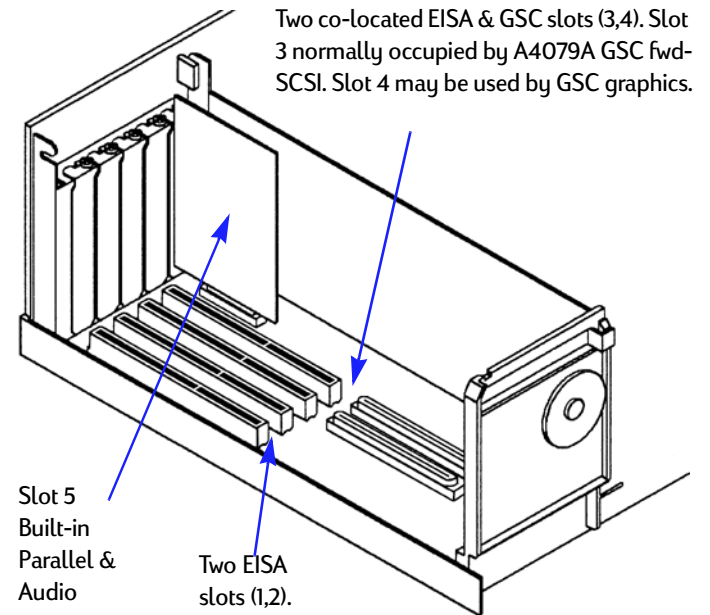
Model 725/100 Storage



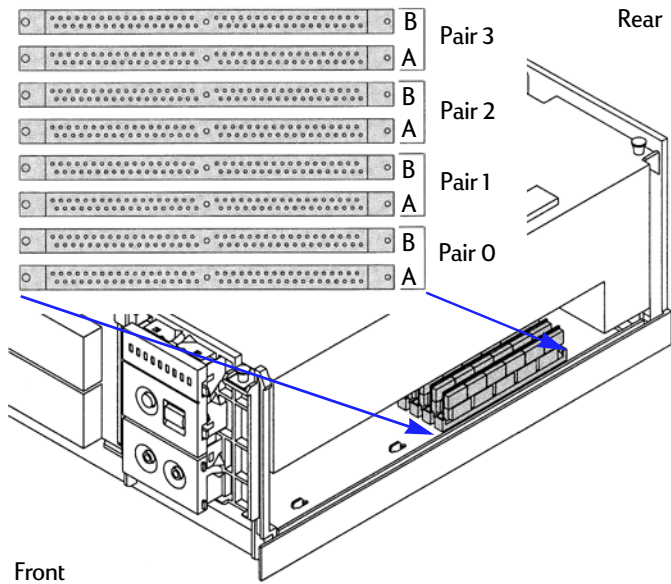
Model 725/100 Rear Panel



Model 725/100 I/O Slots



Model 725/100 RAM

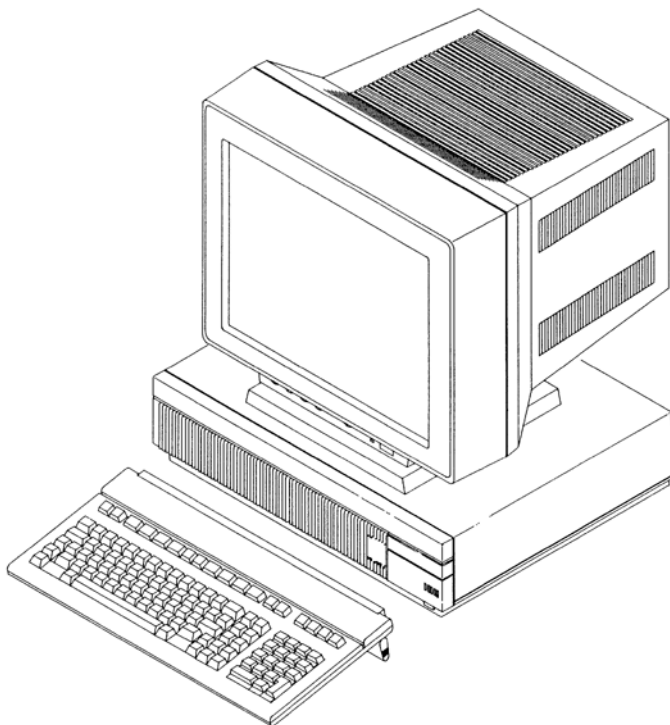


**Model 730
(See Model 720)**

Model 735

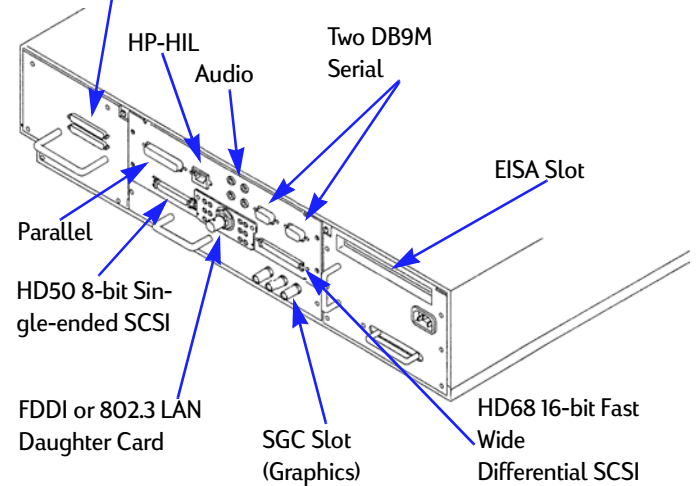
The Model 735 is a discontinued single-processor desktop workstation. The SPU was also supplied as a processor node in the 735CL and MPS10 clusters.

Model 735 Front View



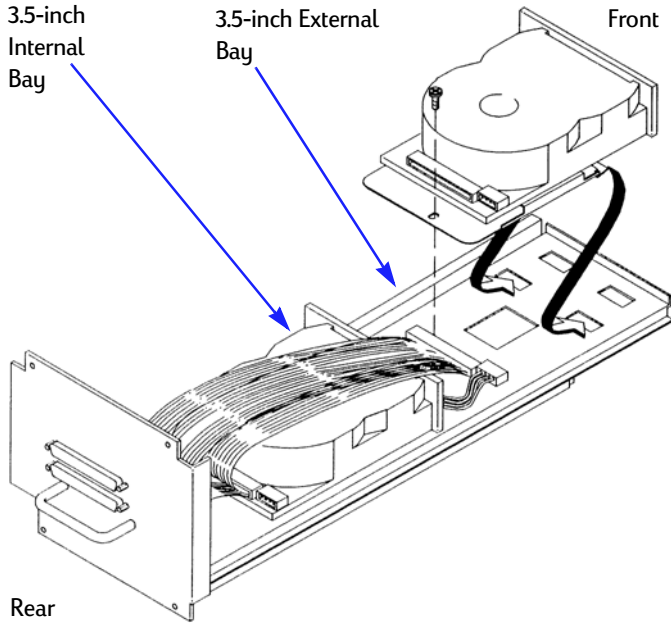
Model 735 Rear Panel and I/O Slot

HD50 (se) or HD68 (fwd) SCSI to/from Internal Devices

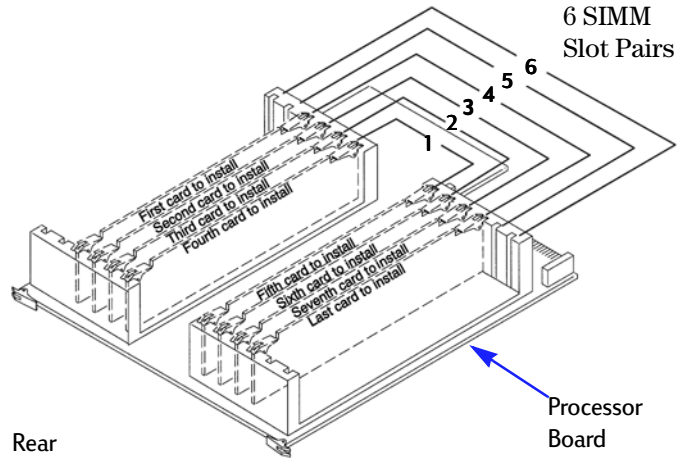


Model 735 Storage

May be 8-bit single-ended SCSI or 16-bit fast wide differential SCSI



Model 735 RAM



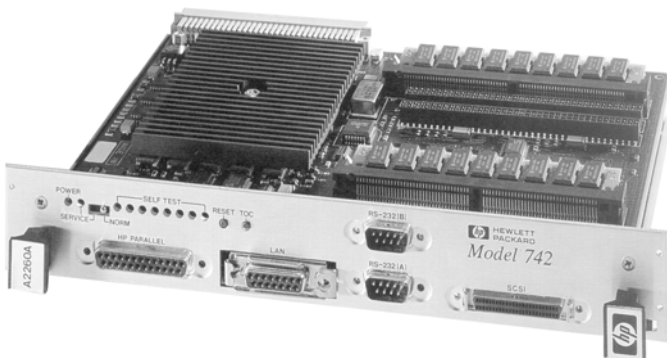
**Model 735CL
(See MPS10)**

Model 742i

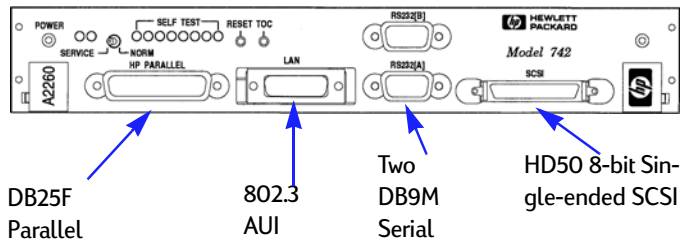
The Model 742i is a current VME-based single-processor, single-board computer. It has no graphics capability and requires a serial terminal or terminal emulator as console.

There is also a Model 742rt version of this product for use with the HP-RT operating system. The 742rt is not covered by this document.

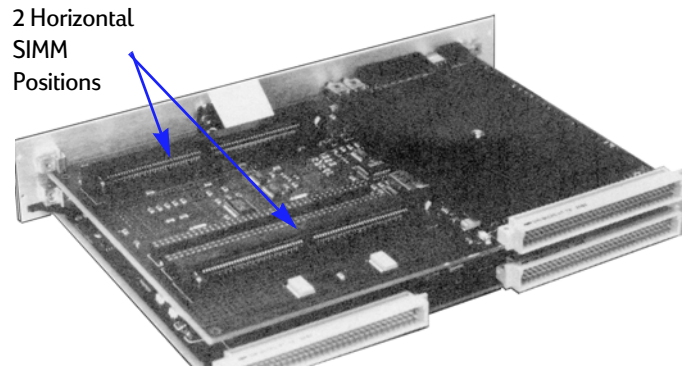
Model 742i Photo



Model 742i Panel



Model 742i RAM

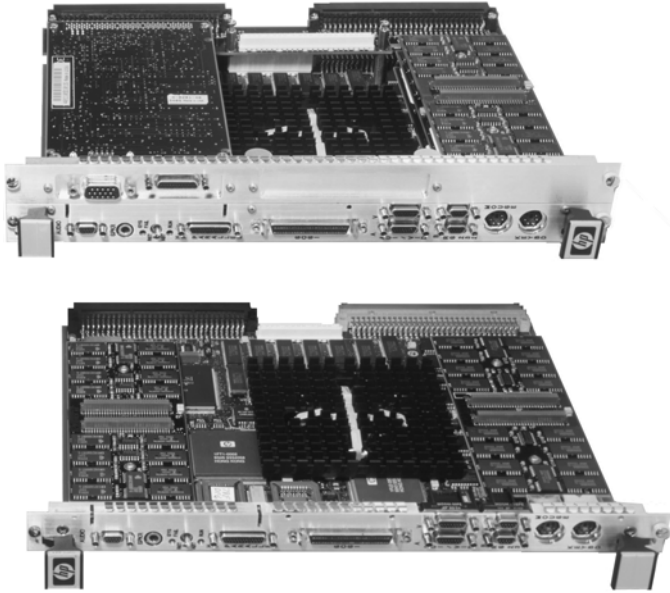


Model 743i

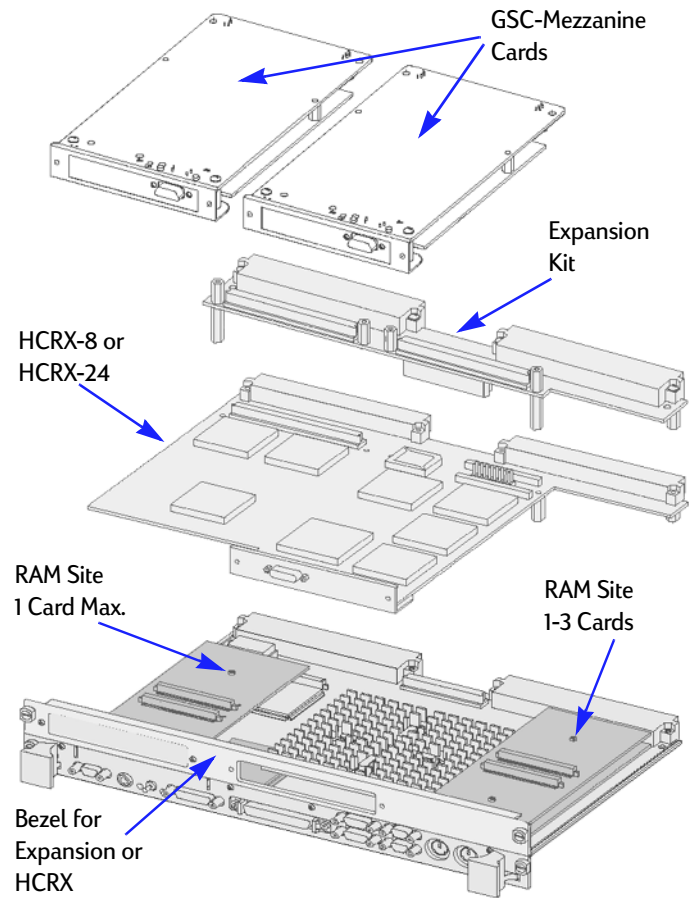
The Model 743i is a current VME-based single-processor, single-board computer. It has built-in and optional GSC-M graphics capability.

There is also a Model 743rt version of this product for use with the HP-RT operating system. The 743rt is not covered by this document.

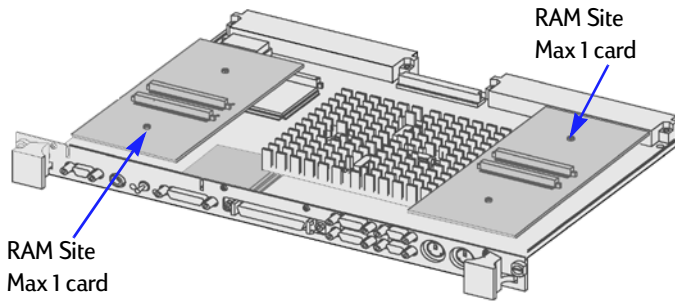
Model 743i Processor Photo



Model 743i Multi-Slot Configurations



Model 743i Daughter Cards and RAM



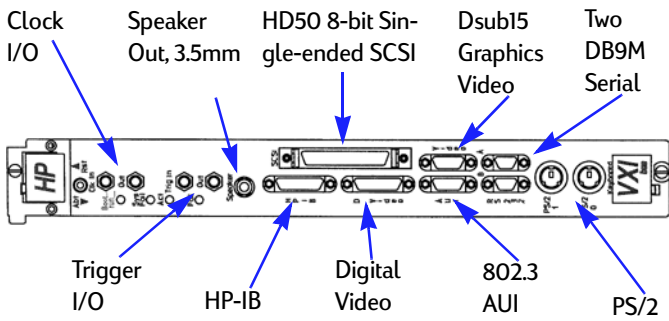
Model V743

The Model V743 is a current VXI-based single-processor single-board computer. There is also a V743rt version of this product, which is not covered by this document.

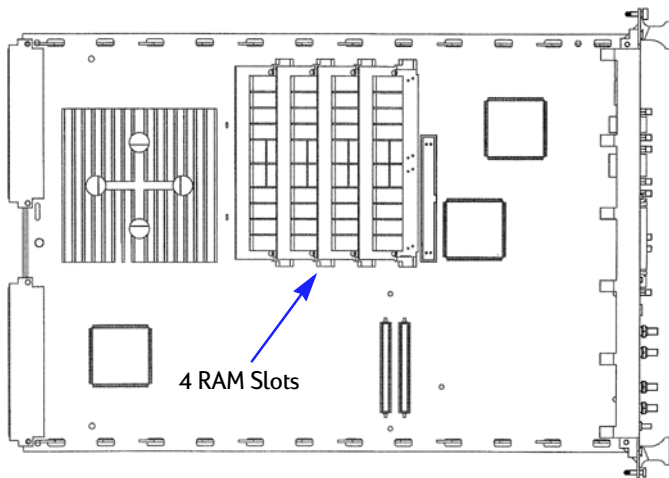
Model V743 Photo



Model V743 Panel



Model V743 Top View

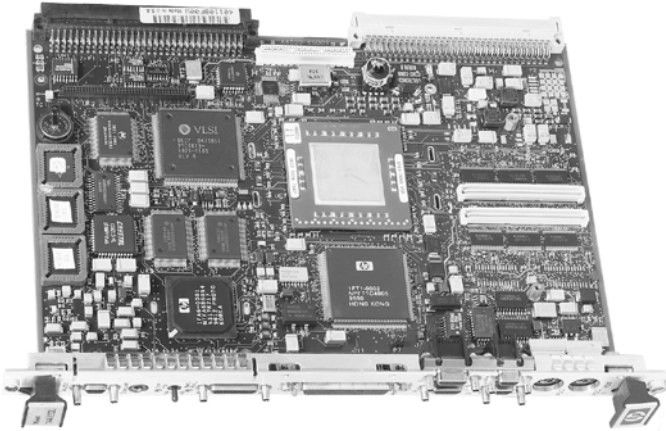


Model 744

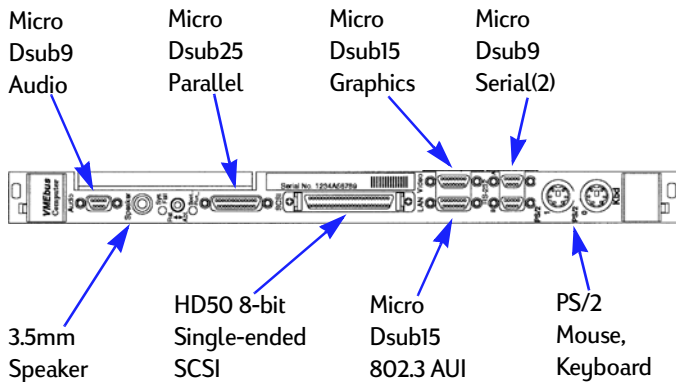
The Model 743i is an active VME-based single-processor, single-board computer. It has built-in and optional GSC-M graphics capability.

There is also a Model 744rt version of this product for use with the HP-RT operating system. The 744rt is not covered by this document.

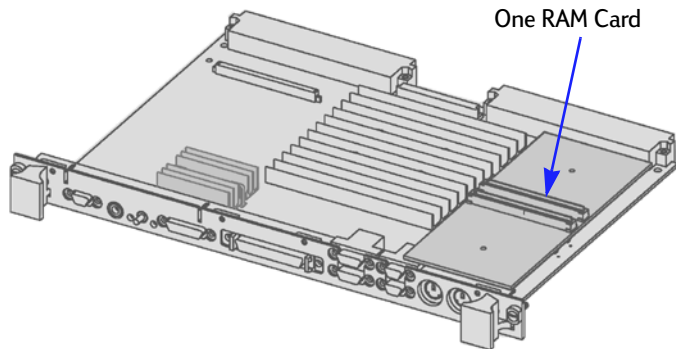
Model 744 Photo



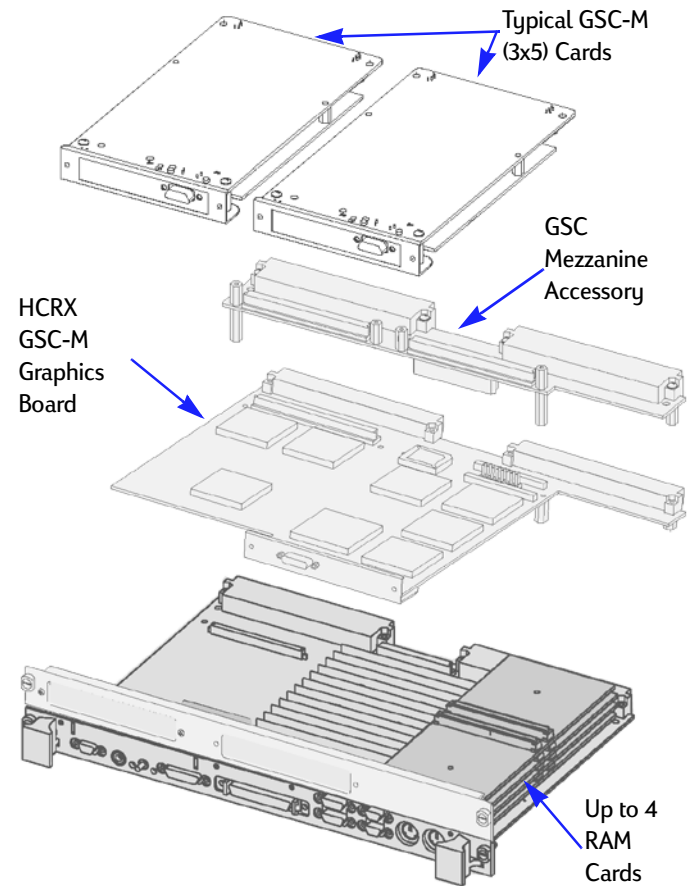
Model 744 Panel



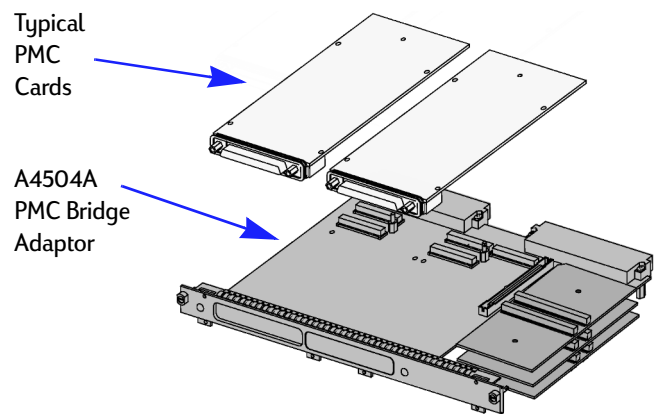
Model 744 RAM (Single-Slot)



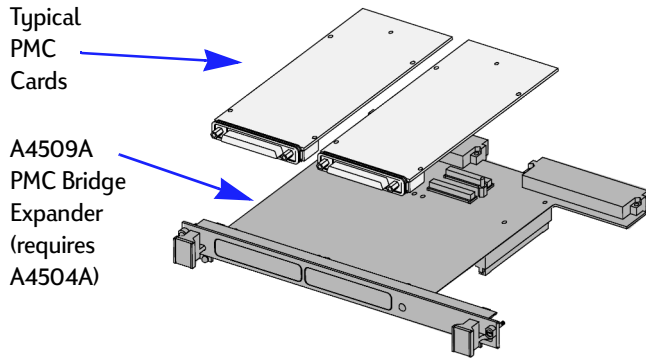
Model 744 RAM and Daughter Cards (Multi-Slot)



Model 743/744 PMC Bridge



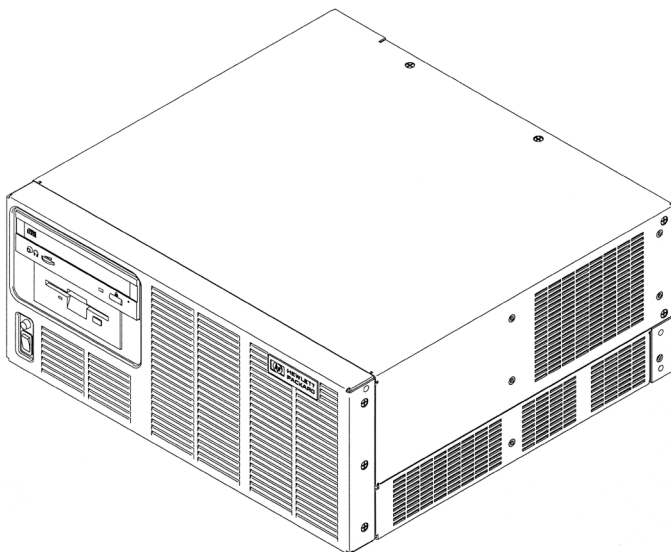
Model 743/744 PMC Expander



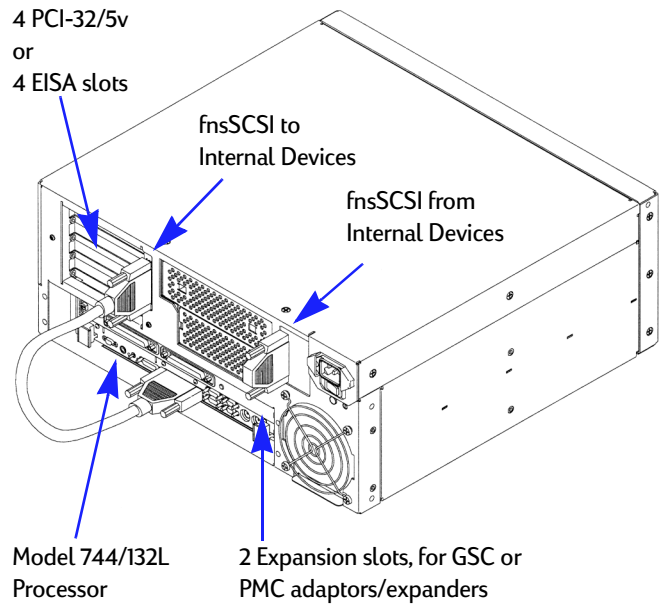
Model 745

The Model 745 is an active¹, rackable, single-processor industrial computer.

Model 745/132L Front View



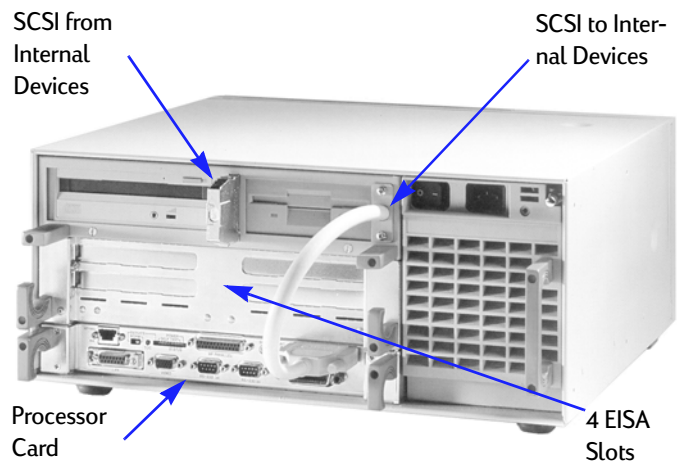
Model 745/132L Rear View



Model 745/50-745/100 Front Photo

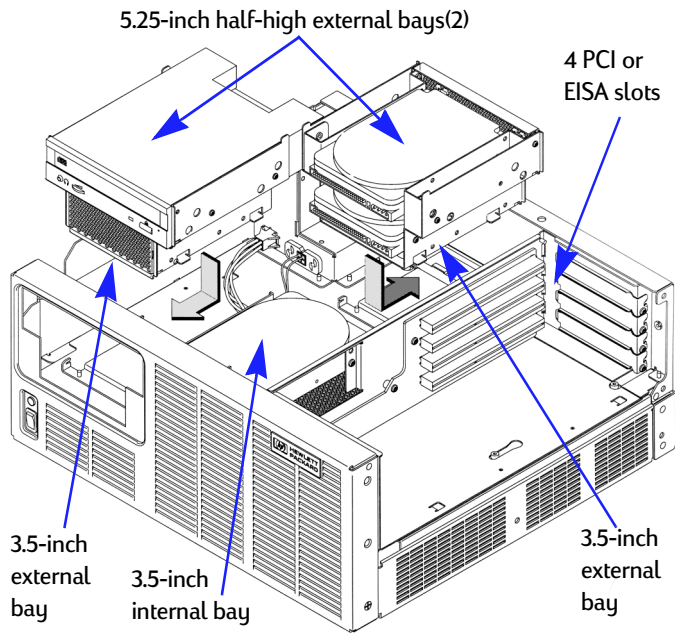


Model 745/50 and 745/100 Rear Photo



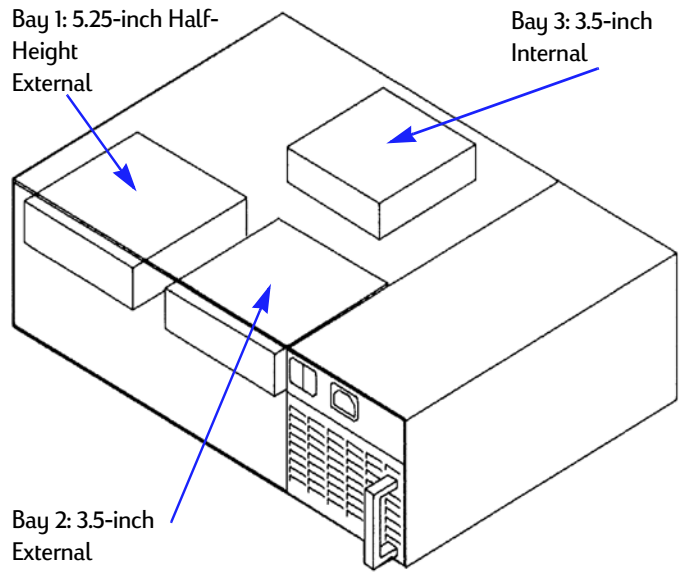
1. Models 745/50 and 745/100 are discontinued.

Model 745/132L Internal View



Model 745/50 and 745/100 Storage

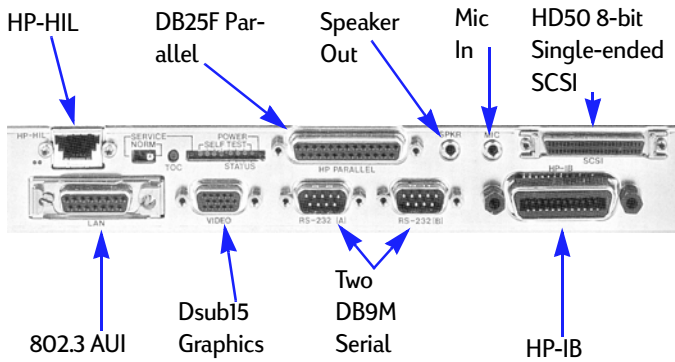
External bays may be oriented to provide access to devices on front or rear panels (but not both)



Model 745/132L Processor Panel

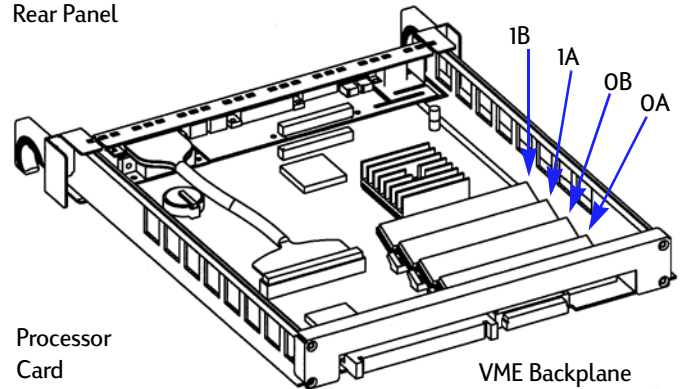
(see Model 744/132L)

Model 745/50, 745/100 and 747 Processor Panel



Model 745/50, 745/100 and 747 RAM

Rear Panel



Model 747

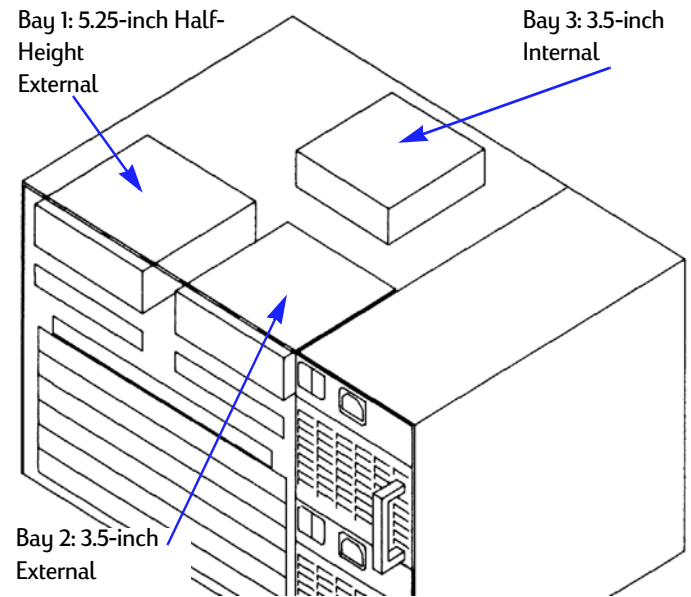
The Model 747 is a discontinued, rackable, single-processor industrial computer. It offered VME, EISA and SGC slots.

Model 747 Front Photo



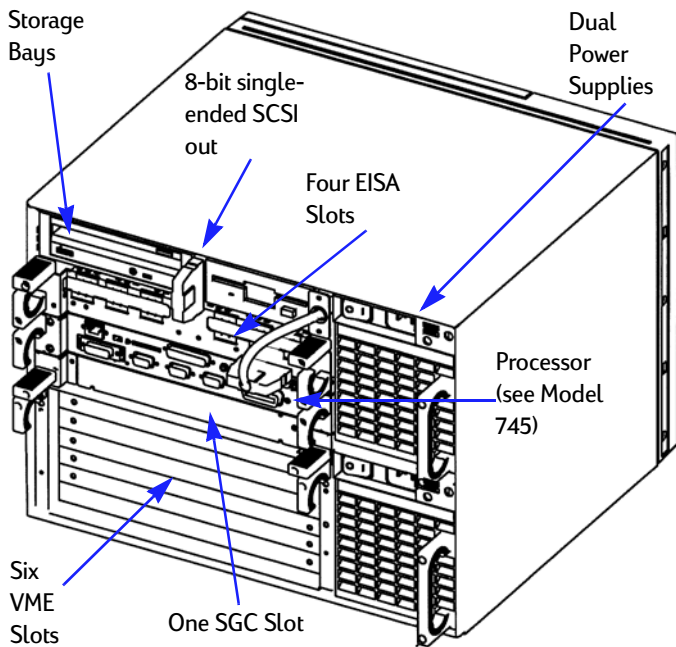
Model 747 Storage

External bays may be oriented to provide access to devices on front or rear panels (but not both)



Model 747 Rear Panel

See Model 745 for Processor Panel



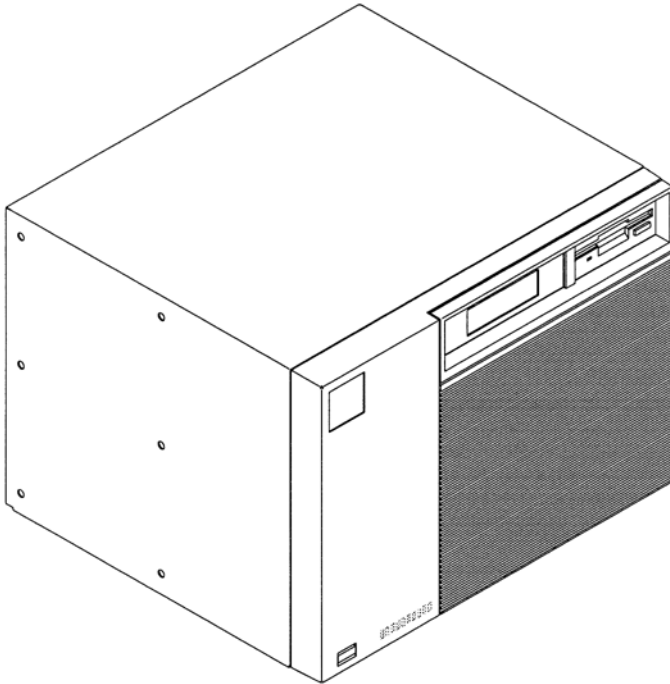
Model 747 RAM (See Model 745)

Model 747 Processor Panel (See Model 745)

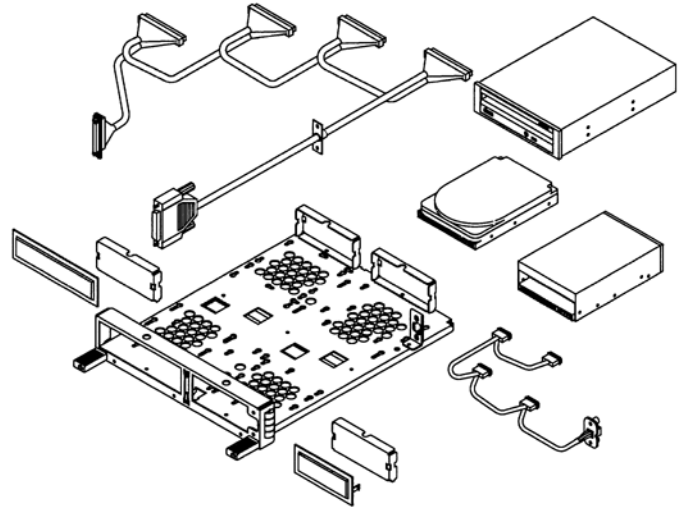
Model 748

The Model 748 is an active, rackable, single-processor industrial computer, based on either the Model 743i or 744i single-board VME computer.

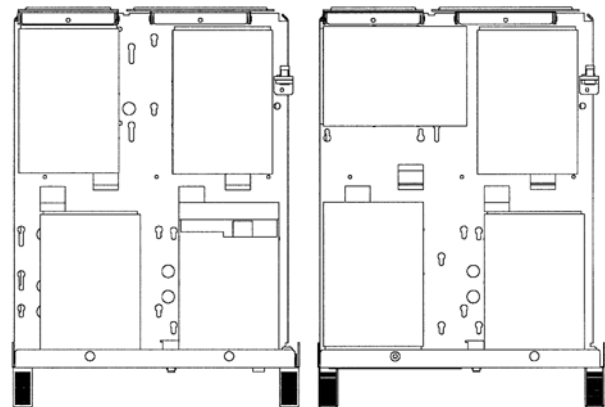
Model 748 Front View



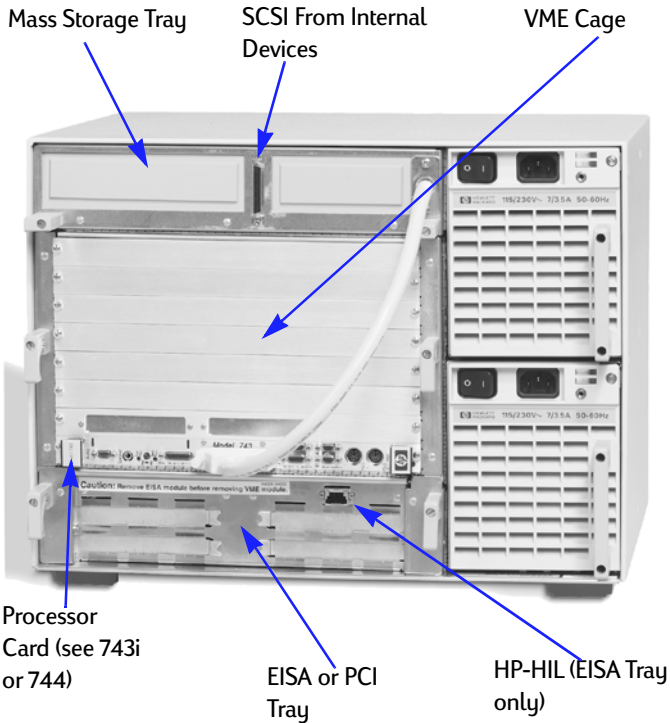
Model 748 Standard 8-bit Single-Ended (se) SCSI Storage Tray Components



Model 748 se Tray Device Locations

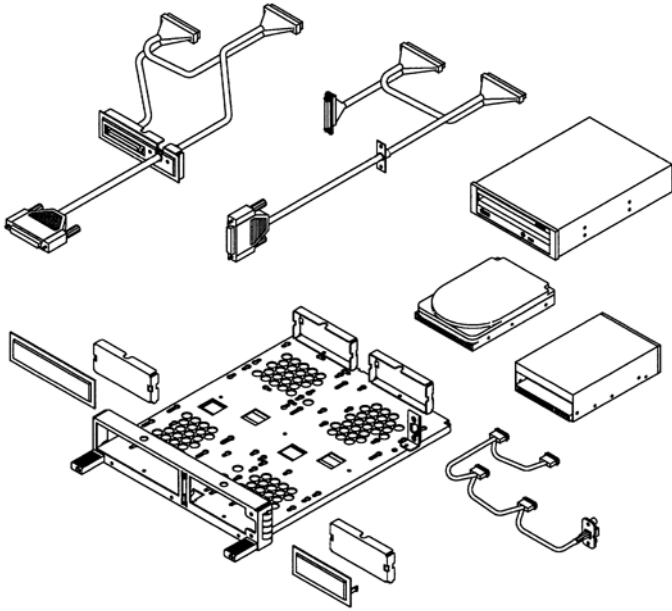


Model 748 Rear Photo

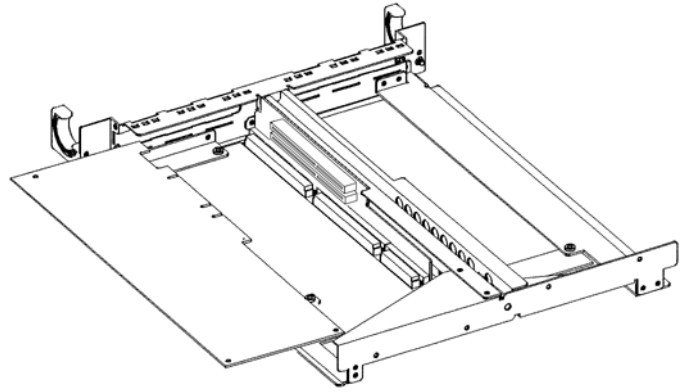


Model 748 Optional 16-bit Wide Differential (wd) and

Single-Ended SCSI Storage Tray Components

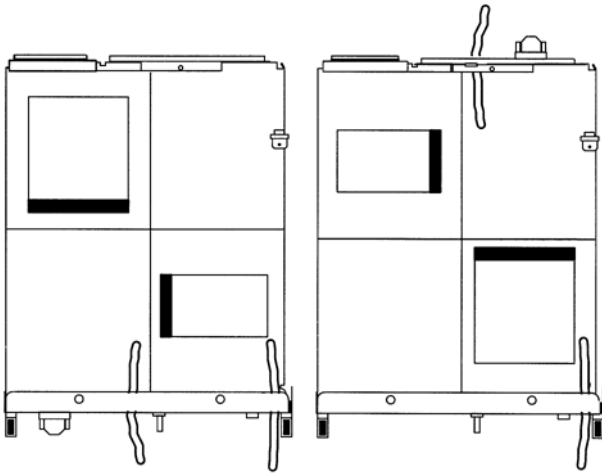


Model 748 4-Slot EISA Tray

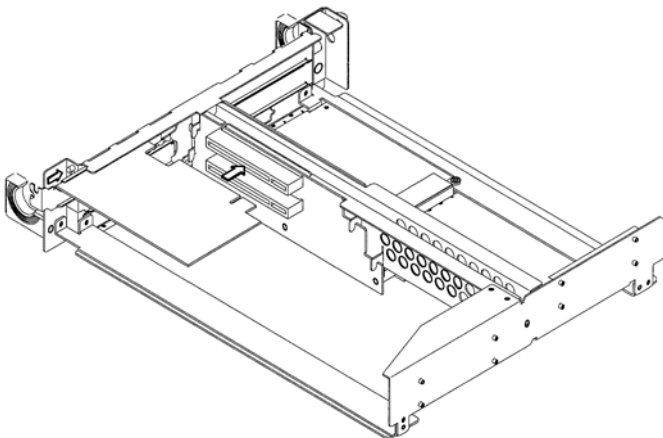


Model 748 Daughter Cards and RAM
(See Model 743 or 744)

Model 748 fwd Tray Device Locations



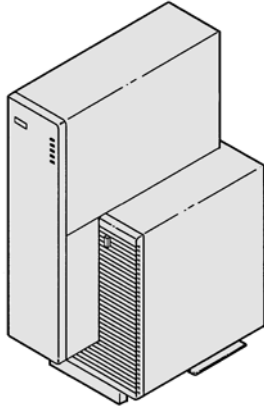
Model 748 4-Slot PCI (5v) Tray



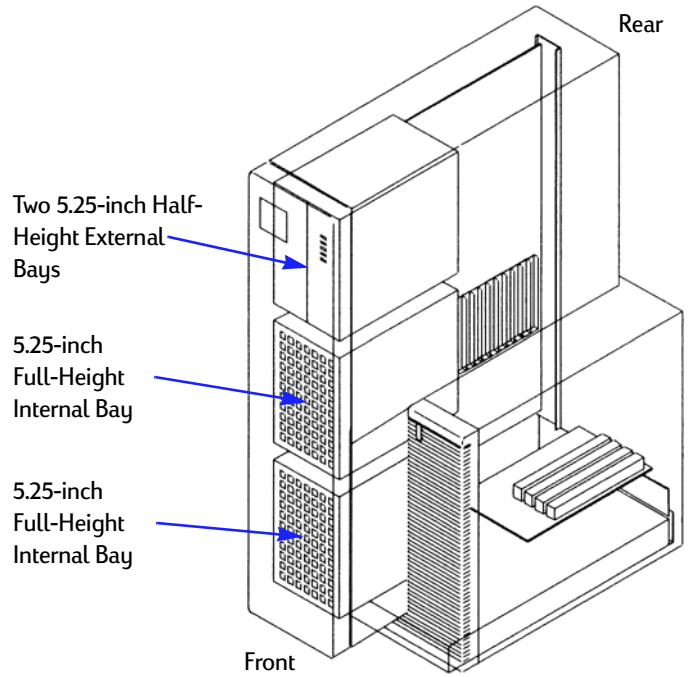
Model 750

The Model 750 is a discontinued single-processor deskside workstation. Some product instances are now off support life.

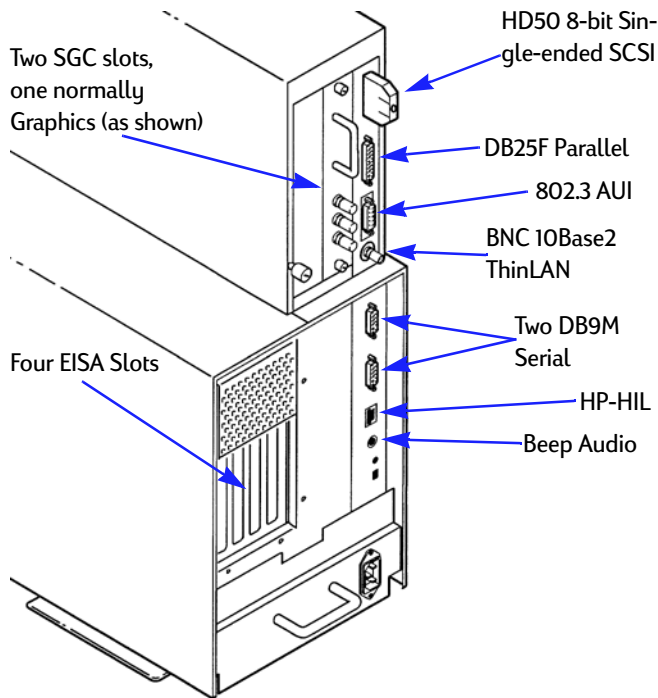
Model 750 Front View



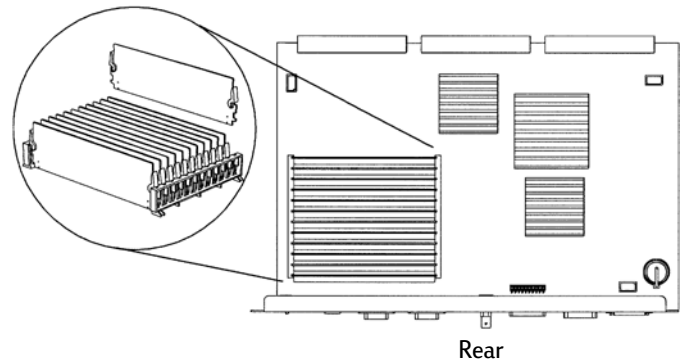
Model 750 Storage



Model 750 Rear Panel



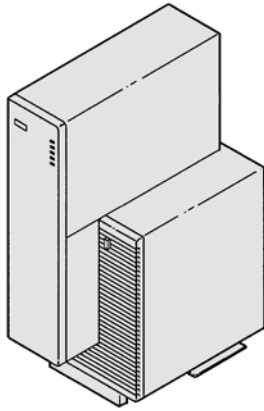
Model 750 RAM



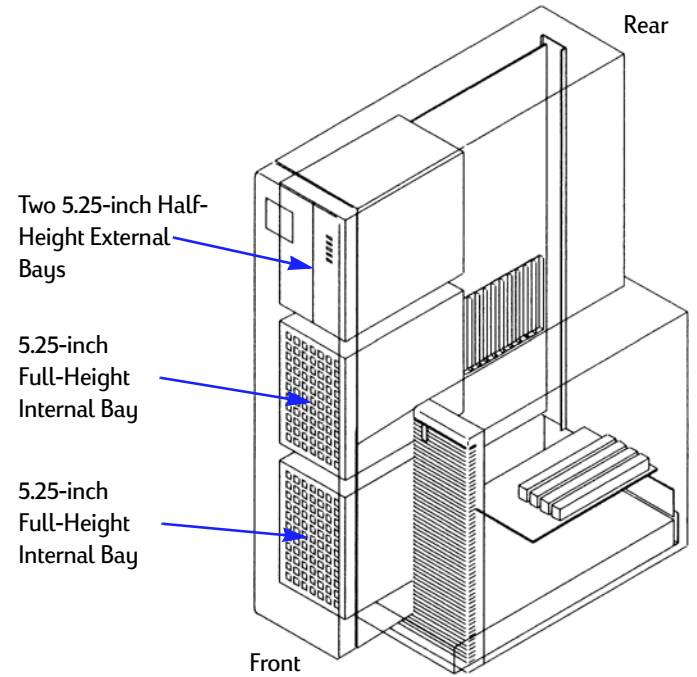
Model 755

The Model 755 is a discontinued single-processor deskside workstation.

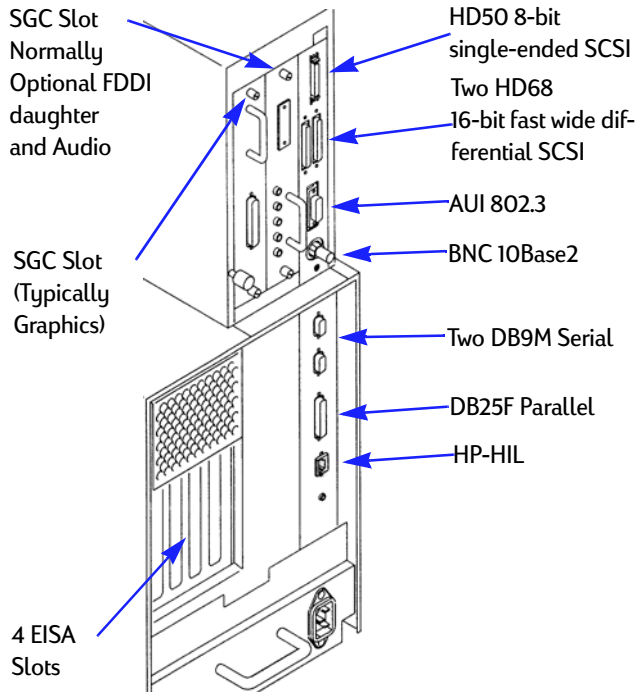
Model 755 Front View



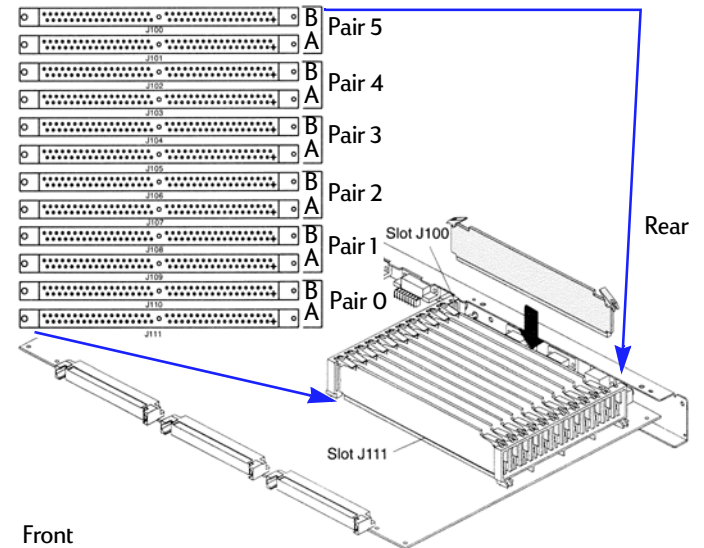
Model 755 Storage



Model 755 Rear Panel



Model 755 RAM



Appendix B: I/O Card Illustrations

This section describes the major types of I/O cards listed in this document. Not all card types are supported on PA-RISC Workstations.

Images are to-scale by view. Oblique views are shown at 33% of actual size, profile views at 25% and connectors at 38%.

DIO (Direct I/O)

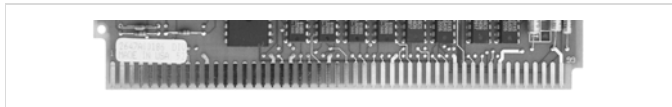
Although no PA-RISC workstations support DIO, DIO-System or DIO-II cards, the latter two forms are sometimes confused with SGC (which is supported on older Series 700 systems).

DIO is a 16- or 32-bit bus used on HP 9000 Series 200, 300 and 400 systems. Some Series 400 Models (425e, 425s, 425t, 433s, 433t) were upgradeable to Series 700, but any DIO and DIO-II slots would have been converted to EISA and SGC slots, respectively. No PA-RISC workstations support and DIO cards.

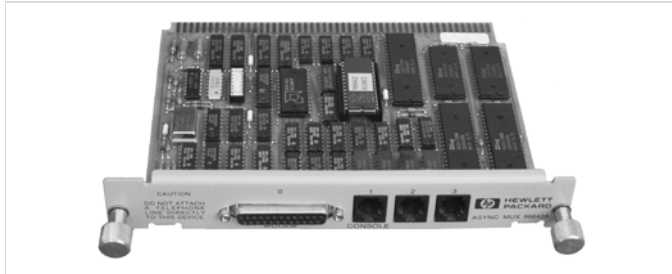
DIO(-I) Slot/Card Summary

Slot Accepts Card Types	DIO
Cards May Be Used in Slots	DIO, DIO-II (with adaptor)
Data Width	16 bits
Maximum Transfer Rate	12 Mbytes/sec.
Signalling Voltage	5 V
Card Connector	100-pin (50x2) edge, male
Typical Card Length	6.75 inches
Typical Card Width	7.75 inches
Typical Card Height	1.15 inches
Bulkhead Offset	Above card

DIO Card Connector

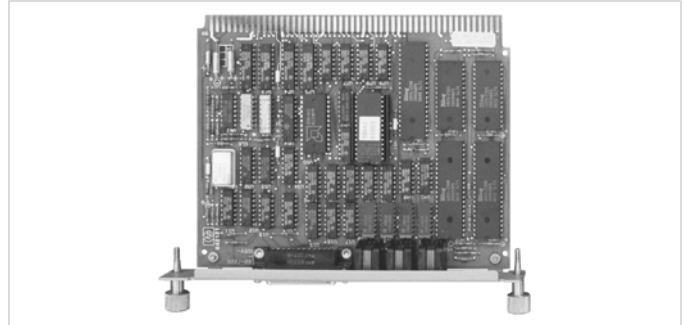


Typical DIO Card



“Bulkhead Offset” is the position of the bulkhead with respect to the card as viewed from the exterior of the computer or card cage in the most common orientation.

DIO Card Profile



DIO-II and DIO-System Card/Slot Summary

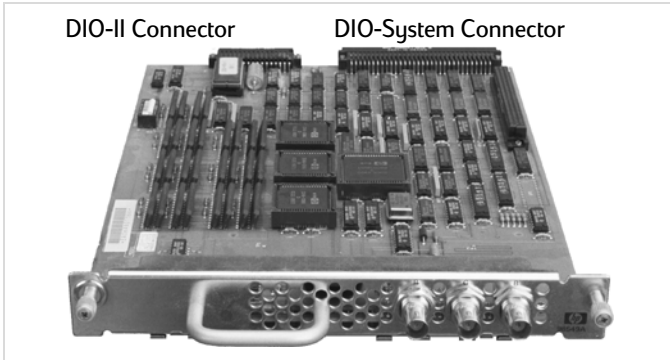
DIO-System Slot Accepts Card Types	DIO-System, DIO (w/adaptor)
DIO-II Slot Accepts Card Types	DIO-II, DIO-System, DIO (w/adaptor)
DIO-System Cards May Be Used in Slots	DIO-System, DIO-II
DIO-II Cards May Be Used In	DIO-II
Data Width	16 bits (DIO-System) 32-bits (DIO-II)
Maximum Transfer Rate	24 Mbytes/sec.
Signalling Voltage	5 V
Card Connectors	96-pin (32x3) male pin&socket, plus, on DIO-II: 48-pin (16x3) female
Typical Card Length	12.5 inches
Typical Card Width	6.2 inches
Typical Card Height	1.15 inches
Bulkhead Offset	Above card

DIO-II and DIO-System cards are the same size as standard SGC cards. The primary obvious physical difference is the sex and pin count of the main connector, as well as the presence of the secondary 48-pin connector on DIO-II cards.

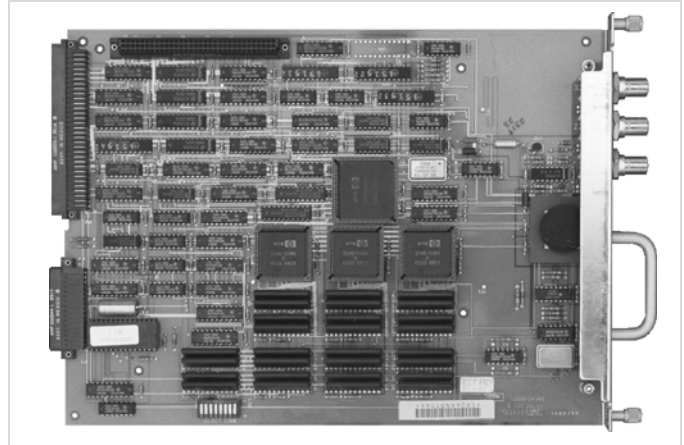
DIO-System/II Connectors



Typical DIO-II Card.



DIO-II Card Profile



EIO (Enhanced I/O)

EIO, based on PCI 2.1, is a standard I/O card for many HP hardcopy peripheral devices, such as plotters, large format printers and workgroup laser and inkjet printers. EIO is replacing MIO.

Typical EIO Card (not to scale)



EIO Slot/Card Summary

Slot Accepts Card Types	EIO
Cards May Be Used in Slots	EIO
Data Width	32-bits
Maximum Transfer Rate	133 Mbytes/sec
Signalling Voltage	3.3 V
Card Connectors:	48-pin (16x3) pin&socket, female
Typical Card Length	_ inches
Typical Card Width	_ inches
Typical Card Height	._ inches
Bulkhead Offset	Above card

No PA-RISC workstations have EIO slots, but most EIO cards are supported when used for host connections between the peripheral and workstation.

EISA (Extended ISA)

EISA is a 32-bit 8 MHz bus evolved from ISA. EISA slots are standard or optional on many PA-RISC workstations.

EISA Slot/Card Summary

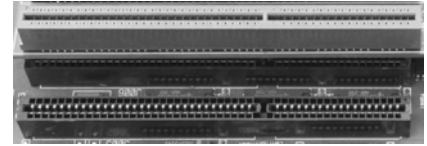
Slot Accepts Card Types	EISA, 16-bit ISA, 8-bit ISA
Cards May Be Used in Slots	EISA only
Data Width	32 bits
Maximum Transfer Rate	33 Mbytes/sec.
Signalling Voltage	5 V
Card Connector	200-pin (50x2x2) edge, male
Typical Card Length	6.5 to 14 inches
Typical Card Width	0.75 inches
Typical Card Height	4.8 to 5.6 inches
Bulkhead Offset	Left of card (vertical slot)

EISA Host and Card Connectors

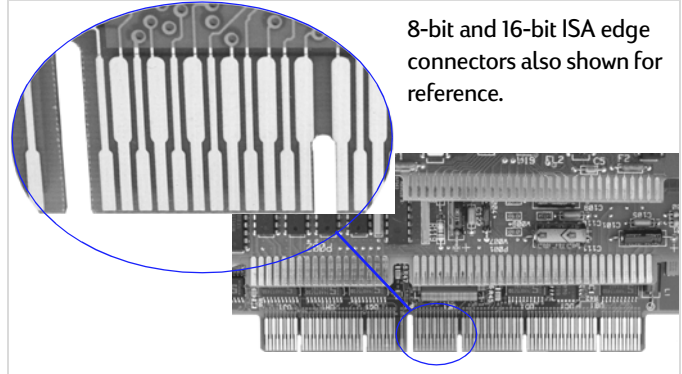
EISA connectors are normally brown in color. They are usually slightly deeper than ISA slots (to accommodate the second row of connector pads), but otherwise have the same length, width and major keying as 16-bit ISA slots.

EISA Slot

16-bit ISA Slot for comparison

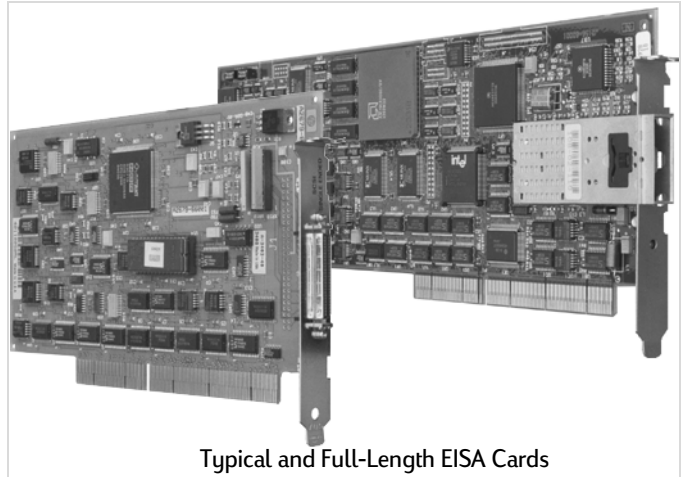


When an EISA slot is occupied by an EISA card, the bulkhead is obstructed for use by any GSC or SGC-EISA slot co-located on that bulkhead.



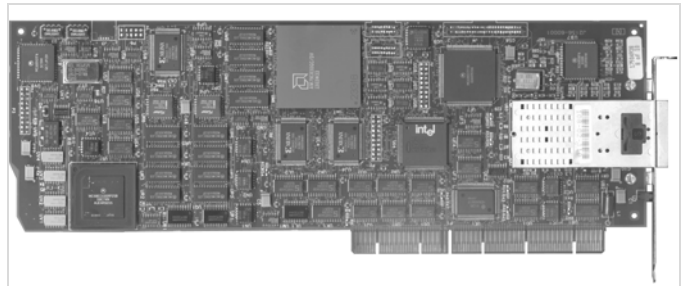
8-bit and 16-bit ISA edge connectors also shown for reference.

Shown: A2679A single-ended SCSI and J2156A[®] FDDI.



Typical and Full-Length EISA Cards

EISA Card Profile



GIO

(See Model 712 at end of this Section)

GSC (General System Connect)

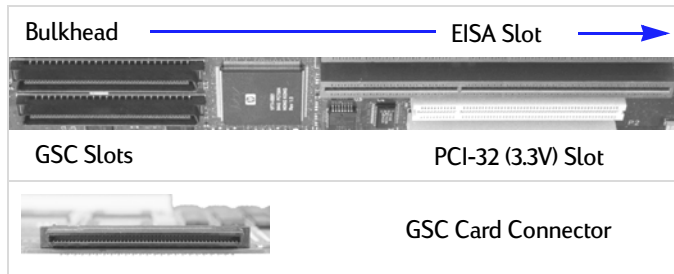
GSC slots are supplied in two speeds (standard and “2x”), and a variety of form-factors. The standard form-factor is EISA-size. This section also lists the Mezzanine form-factor. See other sections for the “HSC” form-factor and the various 712 form-factors.

GSC-2x cards may be used in GSC-1x slots (at reduced performance). GSC-1x cards may be used in GSC-2x slots, but will reduce the performance of all slots on that bus controller.

GSC Slot/Card Summary

Slot Accepts Card Types	GSC (EISA form-factor)
Cards May Be Used in Slots	GSC (EISA form-factor)
Data Width	32 bits
Maximum Transfer Rate	142 or 250 (2x) Mbytes/sec
Signalling Voltage	5 V
Card Connector	100-pin (50x2) female EBBI
Typical Card Length	11.5 to 14 inches
Typical Card Width	0.75 inches
Typical Card Height	4.8 to 5.6 inches
Bulkhead Offset	Left of card (vertical slot)

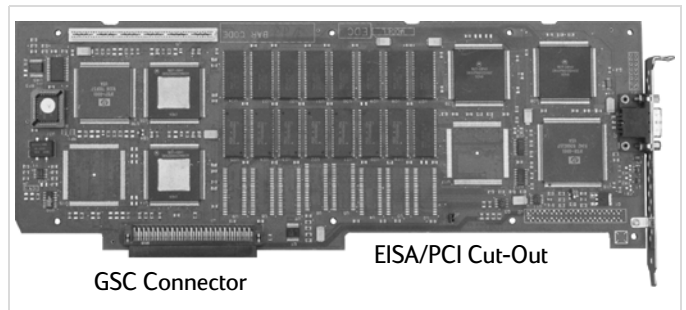
GSC slots are normally co-located with an EISA and/or PCI-32 or PCI-64 slot.



GSC, Standard EISA Form-Factor



GSC cards are approximately the same size as full-length EISA cards, but include a cut-out for clearance over any co-located EISA or PCI slot.



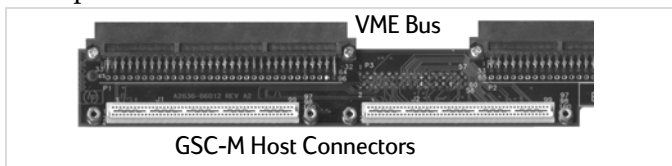
GSC-M (Mezzanine)

GSC Mezzanine cards are used primarily with the 740-series of industrial workstations. With a different bulkhead (external connector plate), they are also used in HSC slots.

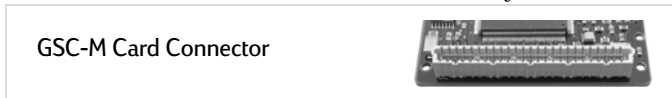
GSC-M Slot/Card Summary

Slot Accepts Card Types	GSC-M
Cards May Be Used in Slots	GSC-M
Data Width	32 bits
Maximum Transfer Rate	142 Mbytes/sec
Signalling Voltage	5 V
Card Connector	100-pin (50x2) male pin&socket with groundplane
Typical Card Length	5.9 inches
Typical Card Width	3.4 inches
Typical Card Height	0.65 inches
Bulkhead Offset	Below card

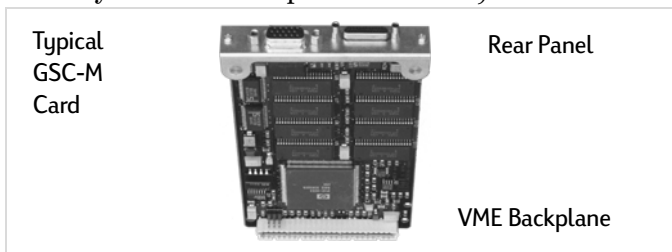
The GSC slot is provided by a riser card at the VMEbus end of the processor board.



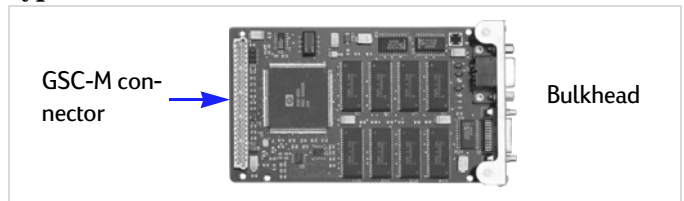
The card and host connector color is usually white.



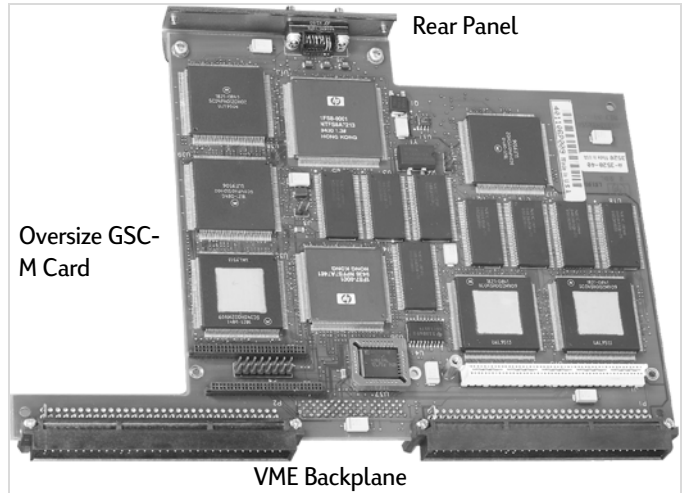
Most GSC-M cards appear as illustrated below (the cards are mounted component side down on the mezzanine assembly of a 740-series processor board).



Typical GSC-M Card Profile.



An exception to this form-factor are some high-end graphics video cards.



HP-PB (HP Precision Bus)

(Also Known as NIO)

HP-PB Slot/Card Summary

Slot Accepts Card Types	HP-PB of same or smaller form-factor
Cards May Be Used in Slots	HP-PB of same or larger form-factor
Data Width	32 bits
Maximum Transfer Rate	23 Mbytes/sec
Signalling Voltage	5 V
Card Connector	96-pin (32x3) female pin&socket
Typical Card Length	9.5 inches
Typical Card Width	5.1 inches (single) 10.3 inches (double)
Typical Card Height	1.15 inches
Bulkhead Offset	Above card

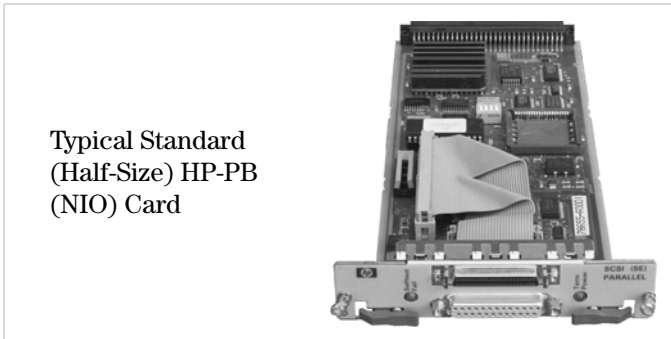
Single HP-PB

Formerly referred to as “half NIO”, this is now the standard size for HP-PB cards. Illustrated is the 28655A SCSI/parallel card



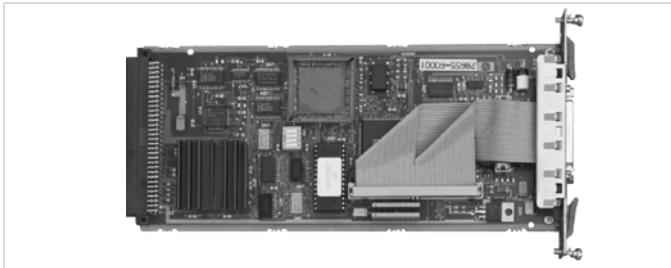
HP-PB Card Connector

Typical HP-PB Card.

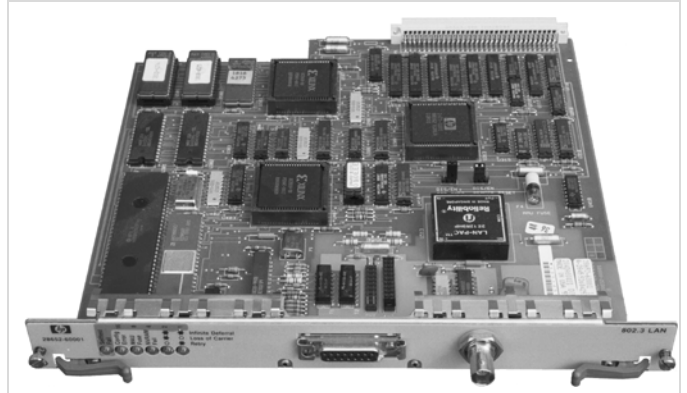


Typical Standard (Half-Size) HP-PB (NIO) Card

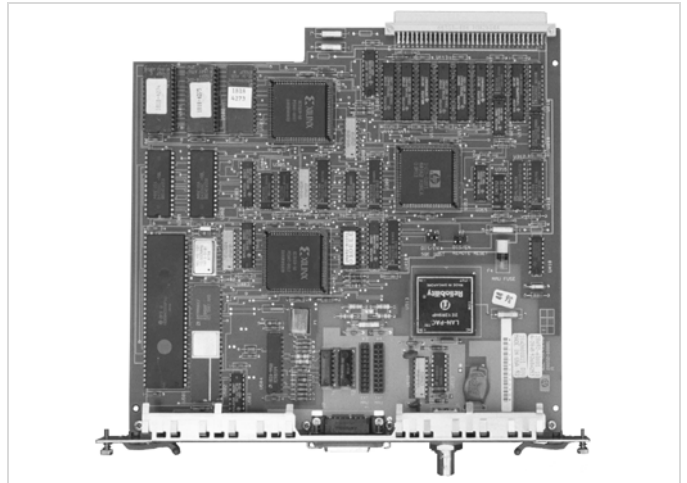
HP-PB Card profile.



Typical Double-High HP-PB Card



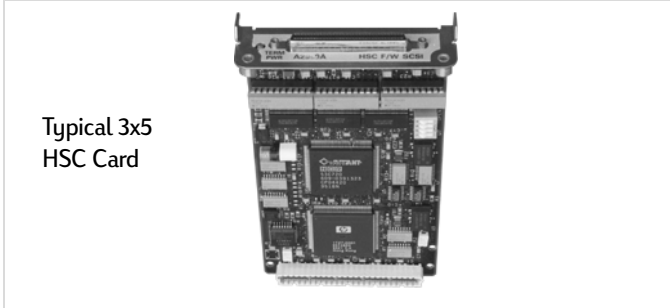
Double HP-PB Card Profile.



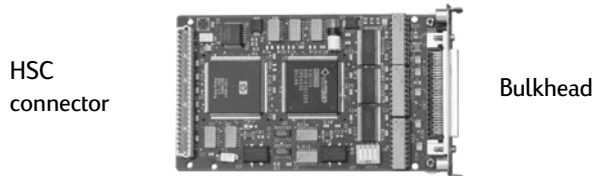
HSC (High-speed System Connect)

HSC 3x5 Form-Factor

HSC 3x5 form-factor, also known as “GSC+”, is identical to GSC-M except for mechanical details of the cover plate at the bulkhead end.



HSC 3x5 cards actually measure 3.5x6 inches including the bulkhead.



The 3x5 HSC card and host connectors are identical to GSC-M, except that the host connection is not adjacent to a VME bus on HSC systems. See the GSC-M section for illustrations.

Large HSC



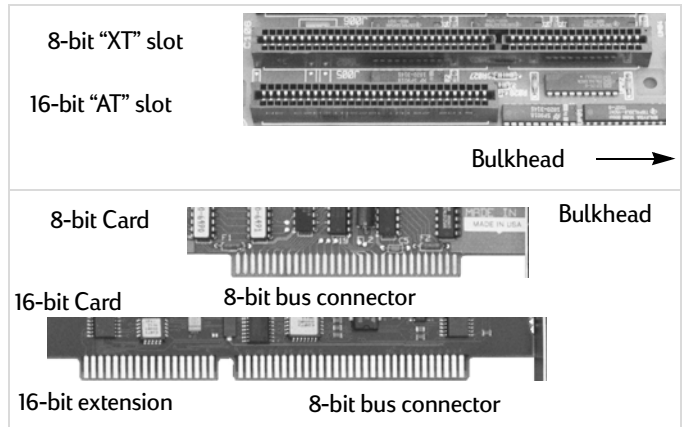
ISA (Industry Standard Architecture)

ISA is the generic designation for the 16-bit 8 MHz bus first introduced by IBM on the PC-AT computer. ISA also includes the earlier 8-bit 8 MHz implementation on the IBM PC and PC-XT.

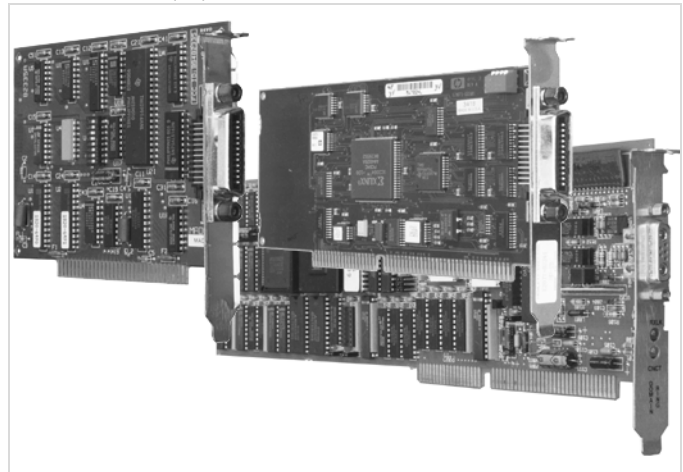
ISA Slot/Card Summary

Slot Accepts Card Types	16-bit ISA, 8-bit ISA
Cards May Be Used in Slots	Any ISA or EISA (see note)
Data Width	8- or 16-bits
Maximum Transfer Rate	8 or 16 Mbytes/sec
Signalling Voltage	5 V
Card Connectors:	
8-bit	62-pin (31x2) edge, male
16-bit	98-pin (49x2) edge, male
Typical Card Length	4.5 to 14 inches
Typical Card Width	0.75 inches
Typical Card Height	4.8 inches
Bulkhead Offset	Left of card (vertical slot)
Note: Although not an issue for PA-RISC workstations, using a 16-bit ISA card in an 8-bit slot reduces performance and resources available, even if supported.	

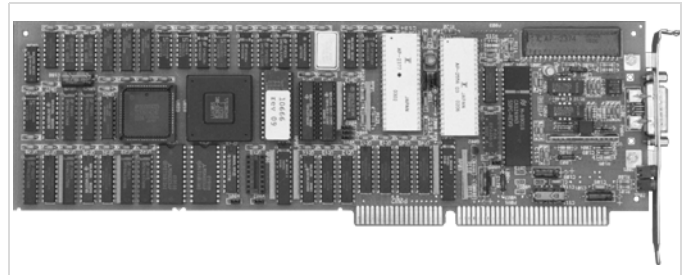
ISA Host and Card Connectors



Although many PA-RISC workstations have EISA slots (which accept supported ISA cards), only the Model 715t has a true ISA(16) slot.



(Large) ISA Card Profile.



MIO (Modular I/O)

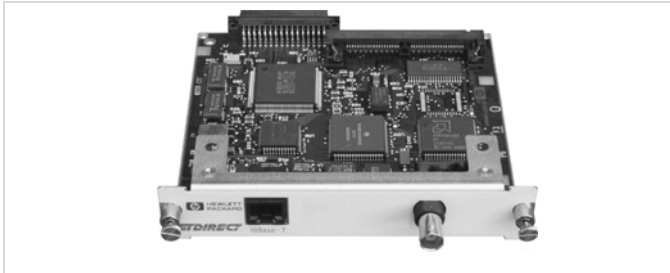
MIO is a standard I/O card for many HP hardcopy peripheral devices, such as plotters, large format printers and workgroup laser and inkjet printers.

MIO Slot/Card Summary

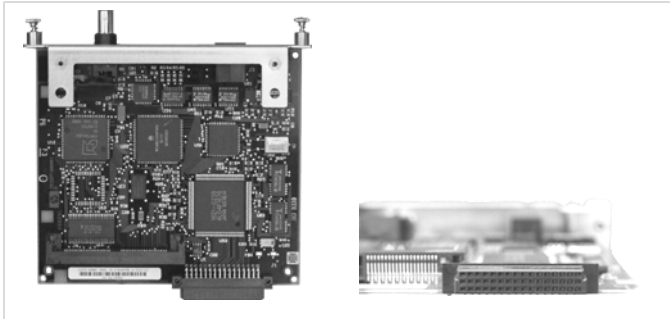
Slot Accepts Card Types	MIO
Cards May Be Used in Slots	MIO
Data Width	8-bits
Maximum Transfer Rate	__ Mbytes/sec
Signalling Voltage	5 V
Card Connectors:	48-pin (16x3) pin&socket, female
Typical Card Length	6 inches
Typical Card Width	6 inches
Typical Card Height	1.15 inches
Bulkhead Offset	Above card

No PA-RISC workstations have MIO slots, but most MIO cards are supported when used for host connections between the peripheral and workstation.

Typical MIO Card



MIO Card Profile and Connector.



PCI (Peripheral Component Interconnect)

PCI is a 32- or 64-bit I/O bus operating at 33 or 66 MHz and 3.3V or 5V signalling levels. PCI slots are gradually replacing EISA slots on PA-RISC workstations.

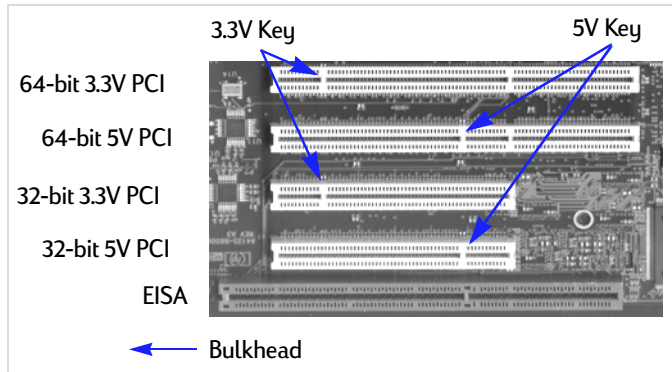
See the PCI Cards section on page 178 for a table of card and slot compatibility.

PCI Slot/Card Summary

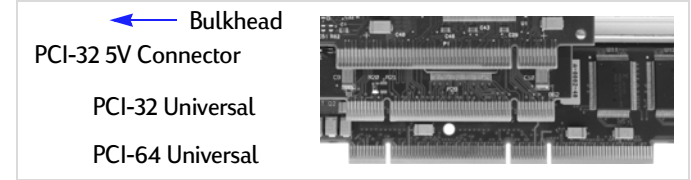
Slots Accept Card Types	See Table
Cards May Be Used in Slots	See Table
Data Width	32 or 64-bits
Maximum Transfer Rate	132, 264 or 530 Mbytes/sec
Signalling Voltage	3.3 or 5 V
Card Connectors: 32-bit 64-bit	124-pin (62x2) edge, male 188-pin (94x2) edge, male
Typical Card Length PCI-32: PCI-64:	5 to 14 inches 7 to ___ inches
Typical Card Width	0.75 inches
Typical Card Height	4.8 to 5.2 inches
Bulkhead Offset	Right of card (vertical slot)

PCI cards may be 5V, 3.3V or both (“Universal”). Universal cards are common, but universal slots are impractical. Most extant PCI cards are either universal or 5V. 3.3V-only cards are rare (except in PCI-64 form).

PCI Host and Card Connectors.

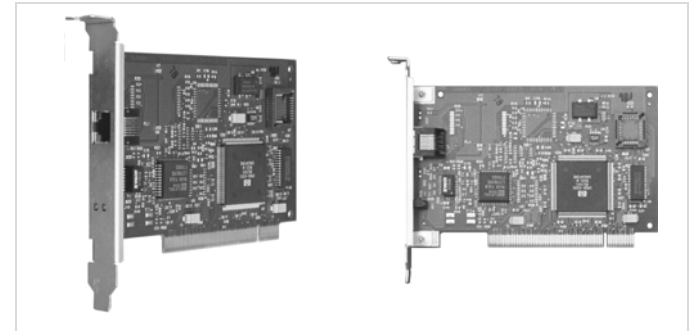


Slot signalling voltage is determined by the barrier key (above). 66 MHz operation requires 3.3V signalling.



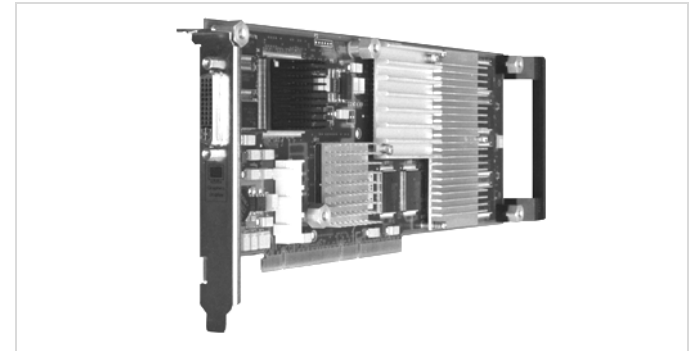
PCI cards employ ISA-style bulkheads, except that the card is mounted at the left side of the bulkhead as viewed from the exterior. This allows a single bulkhead opening to serve a co-located PCI and EISA slot.

Typical PCI-32 Card and Profile

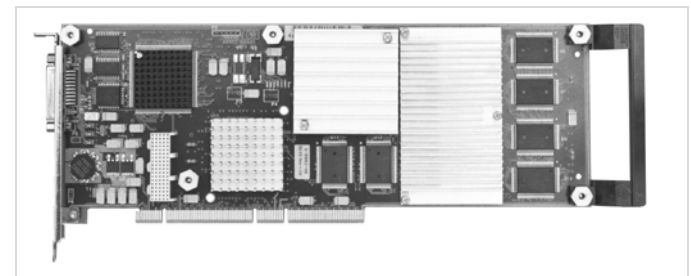


Typical PCI-64 Card

The offset handle at the internal end of the card is optional, but common. It inserts in the EISA/ISA card guide for that bulkhead opening.



PCI-64 Card Profile



SGC (System Graphics Connect)

SGC was the standard graphics and system-level I/O bus on Series 700 computers prior to GSC. Some Models (715, 725) were offered with both buses, and care must be taken when upgrading graphics to ensure that the system actually has the bus type of the new card.

Some non-graphics I/O cards (e.g. J2069A HIPPI) were offered in SGC form.

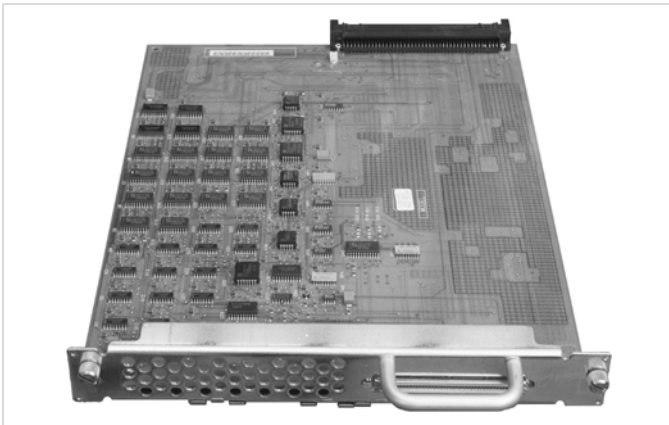
SGC Slot/Card Summary

Slots Accept Card Types	SGC
Cards May Be Used in Slots	SGC
Data Width	32-bits
Maximum Transfer Rate	100 Mbytes/sec
Signalling Voltage	5 V
Card Connectors: Standard	176-pin (44x4) pin&socket, female
EISA Form factor	160-pin (40x4) EBBI, male
Typical Card Length Standard:	12.7 inches
EISA Form Factor:	12.8 to 13.9 inches
Typical Card Width Standard:	8.6 inches
EISA Form Factor:	0.75 inches
Typical Card Height Standard:	1.15 inches
EISA Form Factor:	4.8 to 5.9 inches
Bulkhead Offset Standard:	Above Card
EISA Form Factor:	Right of card (vertical slot)

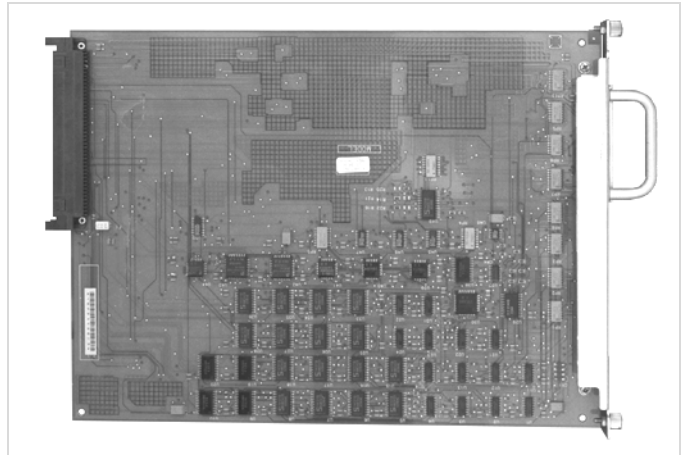
SGC Card Connectors



Typical SGC Card (standard full size)

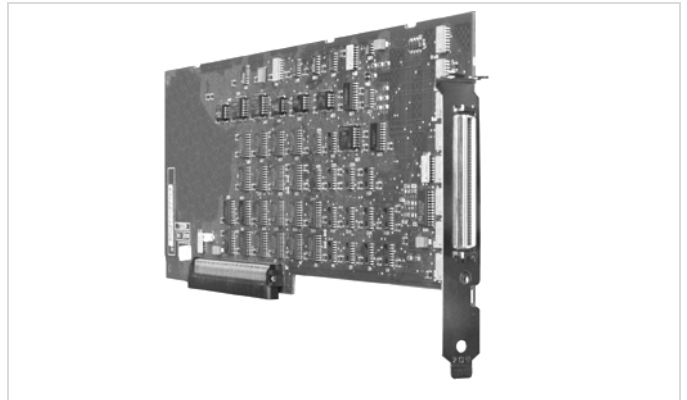


Typical SGC Card Profile

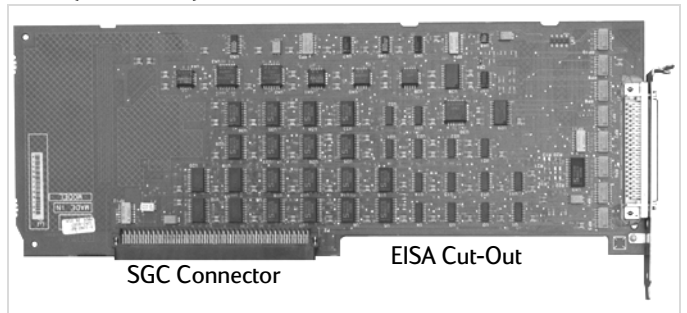


SGC-EISA slots may be co-located with an EISA slot, sharing a common bulkhead opening. SGC-EISA cards have a cut-out to clear any EISA slot present. If the slot is occupied by either an EISA or SGC-EISA card, it cannot be occupied by the other type card.

SGC (EISA Form Factor)



SGC (EISA FF) Card Profile



TeleShare
(See Model 712 at end of this Section)

VME (IEEE-1014-1987)

Although VME specifies a single-high card size, PA-RISC industrial computers are all in the double-high form factor. They also occupy between one and three slots, depending on Model and configuration.

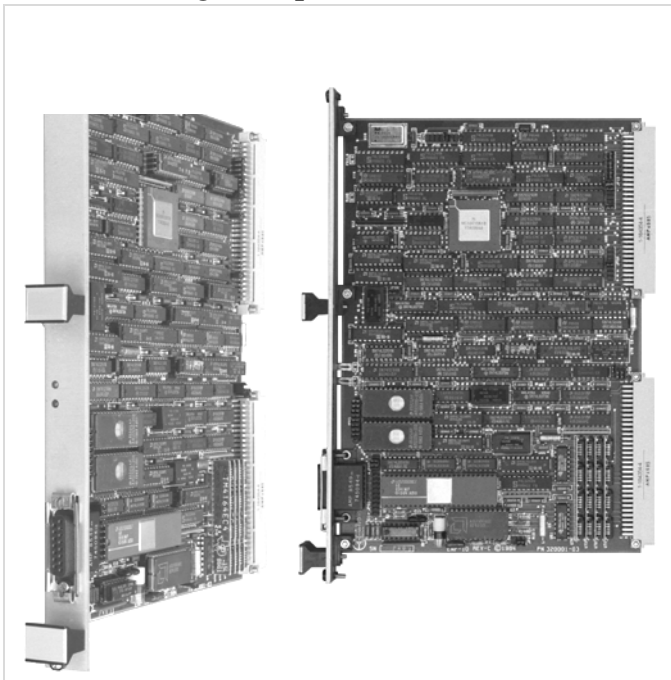
VME Slot/Card Summary

Slots Accept Card Types	VME, VME-64
Cards May Be Used in Slots	VME, VME-64, VXI
Data Width	8-, 16- or 32-bits
Maximum Transfer Rate	40 or 80 Mbytes/sec
Signalling Voltage	5 V
Card Connectors	One or two - 96-pin (32x2) pin&socket, male
Card Length	7.4 inches (including bulkhead and extractors)
Card Width	0.8 inches
Card Height	(Including bulkhead)
Single-Height:	5.1 inches
Double-Height:	10.3 inches
Bulkhead Offset	Right of card (vertical slot)

VME P1 and P2 Card Connectors



VME Double-High Oblique and Profile Views



VXI (VME eXtensions for Instrumentation)

VXI is an extension to the VME standard for instrumentation. It standardizes what were undefined, user-defined or vendor-defined pins in VME, adds new larger physical card sizes, provision for shielded card enclosures, power and cooling specifications, additional backplane voltages and communications protocols.

The only VXI product in the PA-RISC industrial workstation product line is the V743, a C-size VXI card.

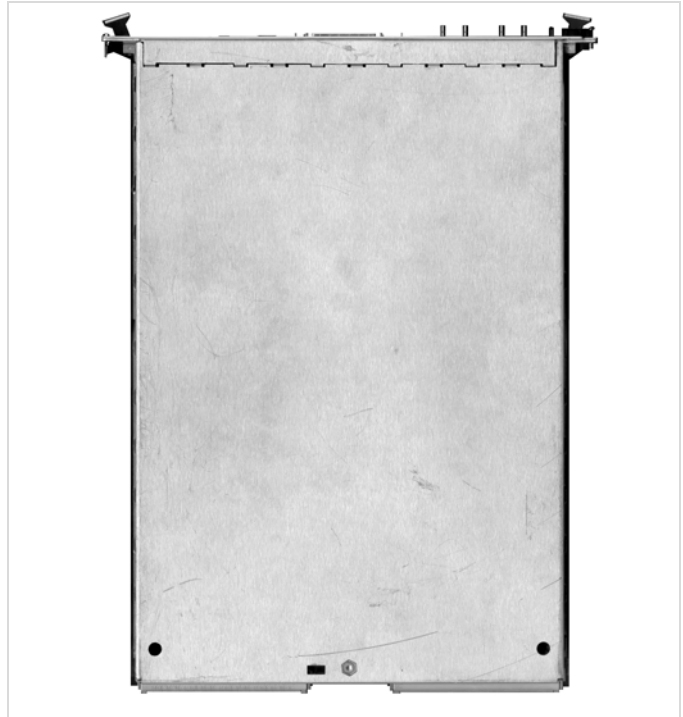
VXI C-Size Slot/Card Summary

Slots Accept Card Types	VXI, VME
Cards May Be Used in Slots	VXI
Data Width	16-bits
Maximum Transfer Rate	40 Mbytes/sec
Signalling Voltage	5 V
Card Connectors	Two or three - 96-pin (32x2) pin&socket, male
Card Length (C-size)	14.3 inches (including bulkhead and extractors)
Card Width	0.8 inches
Card Height (C-Size)	10.3 inches
Bulkhead Offset	Right of card (vertical slot)

VXI Connectors



Typical VXI Card (C-Size) Profile



Typical VXI Card (C-Size)



XIO (Extended I/O)

XIO was an optional I/O card standard for HP LaserJet Series II and LaserJet-III printers, usually providing a direct network connection.

XIO Slot/Card Summary

Slot Accepts Card Types	XIO
Cards May Be Used in Slots	XIO
Data Width	8-bits
Maximum Transfer Rate	__ Mbytes/sec
Signalling Voltage	5 V
Card Connectors:	34-pin (17x2) edge, male
Typical Card Length	6.75 inches
Typical Card Width	3.2 inches
Typical Card Height	1.05 inches
Bulkhead Offset	Below card

Model 712

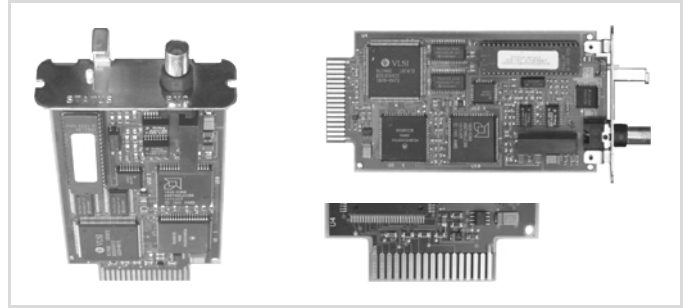
The Model 712 provides two optional I/O slots. These slots are a version of GSC specific to the Model 712. One is a General I/O (GIO) slot for which several cards are available. The second is a TeleShare I/O (TSIO) slot, for which only one card was ever produced, the A4012AA/AJ TeleShare card.

Model 712Slot/Card Summary

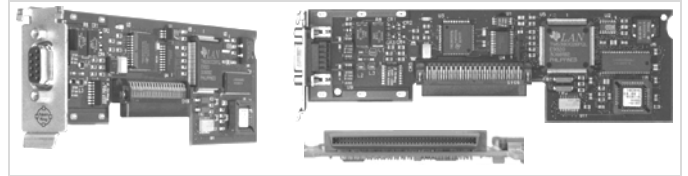
Slot Accepts Card Types	GIO only TSIO only
Cards May Be Used in Slots	GIO TSIO
Data Width	32-bits
Maximum Transfer Rate	__ Mbytes/sec
Signalling Voltage	5 V
Card Connectors:	GIO 80-pin (20x4) EBBI, female TSIO __ TBD __
Typical Card Length	8 inches
Typical Card Width	0.9 inches
Typical Card Height	2.4 inches
Bulkhead Offset	Right of card

No PA-RISC workstations have XIO slots, but most XIO cards are supported when used for host connections between the peripheral and workstation.

Typical XIO Card



Model 712 General I/O



Model 712 TeleShare



Products by Model/Series Number/Name

A		B		D	
ACC	133, 139, 140	B-Class, SPU.....	6, 153	Datakit-II	139, 140
Access Port.....	117, 130, 137	Bit Pad Two.....	83	DesignJet	
Advanced Communications Controller.		B132L Plus, SPU	6	(original)	105
See ACC.		B132L+, SPU	15, 21, 75, 77, 124, 154	200	109
AdvanceStack		B132L, SPU.....	6, 14, 21, 75, 77, 124, 154	2000CP.....	95, 112
Hub		B160, SPU	77	220	109
12	119, 120	B160L, SPU.....	6, 14, 21, 75, 77, 124, 154	230	109
12, 10BaseT.....	119	B180L, SPU.....	6, 14, 21, 75, 77, 124, 154	250C	109
12M	120	C		2500CP.....	95, 112
12R.....	120	C-Class, SPU.....	7, 155	3000CP.....	96, 112
12TX, 100bT.....	120	CHX, Graphics	144	330C	95, 111
12TXM, 100bT	120	Color Copier		350C	95, 111
14, 100VG	118	110	113	3500CP.....	96, 112
15, 100VG	118	120	113	430	96, 112
16U.....	119	140	113	450C	96, 112
24	119, 120	145	113	455CA.....	97
24, 10BaseT.....	119	150	113	600.....	107, 108
24M	120	155	113	650C	108
24R.....	120	200	113	650C/PS.....	110
24T	120	210	113	700	95
24TX	120	210LX	113	700C	112
48	119	Colorado		750C	91, 95, 109
48, 10BaseT.....	119	8GB	58	750C Plus.....	95, 112
7E, 100VG	120	ColorPro	114	755CM.....	91, 110
7M, 100VG.....	118	COMKIT	139, 140	DeskDirect	
8E.....	119	CopyJet		EL-10	133, 142
8U.....	119	(original).....	92	10BaseT	142
LAN Bridge		M.....	92	100BaseTx.....	142
MB	121	CP300, Printer.....	116	100VG.....	142
Remote Bridge		CRX, CRX-24 Upgrade	102	DeskJet	
RB	121	CRX, Graphics	63, 67, 101, 102	(original)	98, 113
Router		(original).....	144	Plus	98
230	119	Dual	63, 102, 144	Portable	89
240	121	Quad.....	63, 102	1000Cse.....	89
245	119	upgrade.....	116, 144	1000Cxi	89
430	121	24	19, 63, 64, 101, 102, 130, 144	1100C	89
440	121	24, Dual.....	63	1120C	89
445	121	24, interface.....	144	1200C	87
470	121	24, upgrade.....	144	1200C/PS.....	87, 105
480	121	24Z.....	19, 63, 64, 101, 102, 126	1600C	91, 110
650	118	24Z, upgrade.....	144	1600CM.....	92, 110
Switch		48Z.....	19, 63, 64, 102, 126, 144	1600CN	91, 110
100	119	48Z, upgrade.....	144	200	89
16	119	8	19	300J	89
200	119	8, Dual.....	19	310	89
2000	119	C100, SPU	7, 14, 21, 75, 77, 124, 155	320	89
Switch 208T.....	120	C110, SPU	7, 21, 75, 77, 124, 155	340	89
Switch 224T	120	C160, SPU	7, 21, 75, 77, 124	400	89
Switch 800T	120	C160L, SPU.....	7, 15, 21, 75, 77, 124, 155	500	88, 106
100BaseT Hub-8TXE	120	C160L-EG, SPU	15	500C	88, 106
Apollo		C160-XP, SPU.....	7	500J	89
LP/26, Printer	116	C180, SPU	155	500K	89
PTR-2106, Printer.....	99	C180-XP, SPU.....	15, 21, 75, 77, 124, 155	500Q.....	89
PTR-2115, Printer.....	99	C200, SPU	7, 14, 21, 75, 77, 124, 155	505J	89
Aptrex	73	C240, SPU	15, 21, 75, 77, 124, 155	505K	89
ATL		C240se, SPU	15	510.....	88
2640	54	C5650A/B, DDS3	59	520.....	88, 106
ATR/9000.....	117	C5651A/B, DDS3	59	550C	88, 106
AutoRAID	30, 31, 35, 37			560C	88

Products by Model/Series Number/Name

600	89	RX	115	24VME	65, 103, 138
600C	94	SX	115	24Z	19, 65, 103
600K	89	DraftPro		3D	64, 102
660C	88	(original)	108, 109, 115	48Z	65, 102, 103, 137
660Cse	94	DXL	115	8	19, 64, 102, 137
660K	89	EXL	115	8VME	65, 103, 138
670C	96	DTC		8Z	19, 64, 65, 102, 103
670K	96	(original)	120	HP 150	74
672C	97	16	120	HP 5000	93
690C	94, 95, 97	16iX	118	D640	96
692C	95	16MX	118	Model C30	93
693C	95	16RX	118	Model C30D	93
694C	95	16TN	118	Model C40D	95
695C	94	72MX	118	HP 5000, Printer	93
695Cci	95	E		HP150	114
697C	95	Entria	73, 74, 110	Hub	
720C	96	Entria Plus	74	16M	120
820Cse	95	Entria, X-Terminal	73	HyperCRX8. See HCRX	
820Cxi	94	Entria-II	74	I	
850C	88, 106	Envizex a	73, 107	IGC	134
855C	94	Envizex i	73, 107	IGC 10	131
855Cse	95	Envizex p	73, 110	IGC 20	131
855Cxi	95	Envizex-II	74	Intelligent Graphics Card. See IGC	
870Cse	95	EPS, Cluster	137, 157	J	
870Cxi	94	EPS10, Cluster	7	J-Class, SPU	7, 158
870TV	97	EPS20, Cluster	7, 75, 77, 124	JetAdmin	85
890C	96	Ergo		JetDirect	85, 117, 118
890CM	97	Ultra VGA	70	(MIO)	97
890Cse	96	1024	70	EX	97, 118
DeskWriter		1280	70	EX Plus	97, 119
(original)	98	1600	70	EX Plus/3	97
C	88	EtherTwist		EX+3	119
Plus	98	Hub		MIO	119
310	89	(original)	121	150X	97
320	89	Plus	121	300X	97, 120
510	88	Plus/24	118	300X Office	97
520	88	Plus/48	121	600N	97, 119
550C	88	8	121	JetDirect EX	118
560C	88	interface	134	JetScript	134
600	89	MAU, 10BaseT	121	JetStore	
660C	88	8/16 interface	134	2000e	55
694C	95	EVRX, Graphics	69	2000i	55
Dialogic		1024	144	5000e	55
D/240SC-T1	133	1280	144	5000i	55
D/300SCTE1	133	F		6000e	56
D/320SC+	133	Freedom, Graphics	68	6000i	56
DLT		interface	19, 65, 137	Jumbo	
4000	60	S3150	65, 103	(interface)	133
7000	58, 60	S3250	65, 103	120	60
DLT Library		S3400	65, 103	1400	58, 60
2/28	53	F100, Printer	89	250	60
2/48	53	F100XP, Printer	89	350	58, 60
4/48	53	F135, Printer	89	700	60
DLT4000	53	F135XP, Printer	89	J200, SPU	7, 14, 21, 76, 77, 124, 158
DLT4000 SE	53	G		J210, SPU	7, 21, 76, 77, 124, 158
DLT4000	54, 58, 59	GIO	125	J210XC, SPU	7, 14, 21, 76, 77, 124, 158
DLT7000	54, 59	GRX, Graphics	19, 63, 102, 144	J2240, SPU	7, 14, 21, 124
DraftMaster		H		J280, SPU	7, 21, 76, 77, 124, 158
(original)	115	HCRX, Graphics	126	J282, SPU	14, 21, 76, 77, 124, 158
MX	115	24	19, 64, 102, 137		

Products by Model/Series Number/Name

K		
K-Class, Servers	5	
K-Class, SPU	7, 85, 137, 149, 160	
K210, SPU	7	
K260-EG, SPU	7, 21, 76, 77, 125	
K410, SPU	7	
K420, SPU	7	
K460-EG, SPU	7, 21, 76, 77, 125	
K460-XP, SPU	7, 21, 76, 77, 125	
L		
LanProbe	120	
Network Monitor	122	
Node Locator	122	
II Network Monitor	122	
III Plus	122	
LaserJet		
(original)	113	
Color	90, 108	
Color LaserJet 5	92	
Color LaserJet 5M	92	
Companion	108	
se	111	
xi	111	
FAX	105, 147	
(original)	98	
II	98, 113, 134	
IID	98, 113	
IIP	88, 98, 99, 113, 114	
IIP Plus	105, 87	
2000	98, 113	
III	88, 98, 113, 114	
IIID	88, 98, 99, 113, 114	
IIIP	88, 98, 99, 113, 114	
IIIsi	99, 114	
3100	92, 94	
4	87, 105	
4 Plus	106, 88	
4L	87, 105	
4M	88, 106	
4M Plus	106, 88	
4ML	87, 106	
4MP	88	
4MV	90, 108	
4P	87, 88, 105	
4PJ	90	
4si	87, 106	
4si MX	106	
4siMX	87	
4V	90, 108	
4000	94	
4000N	94	
4000se	90	
4000T	94	
4000TN	94	
5	92	
5L	92	
5L-Xtra	92	
5M	92	
5MP	90	
5N	92	
5P	90, 108	
5se	90	
5si	91	
5si Mopier	111	
5siHM	90	
5si Mopier	93	
5siMX	91	
500	98, 113	
5000	93	
5000GN	94	
5000N	93	
6L	93	
6L+Scanner	90, 93	
6Lse	93	
6Lxi	93	
6MP	93, 111	
6P	92, 110	
6P/EX	90, 108	
6Pse	94, 111	
6Pxi	94, 111	
8000	93, 111	
LP 1200Q, Printer	91	
LP 475, Printer	91	
LP 475Q, Printer	91	
LP 800, Printer	91, 99, 116	
LP 800Q, Printer	91	
LP/26, Printer	99	
LPQ 1400	96	
M		
Magellan, SpaceMouse	82	
MPower	146	
MPS10, Cluster	7, 21, 76, 77, 125, 161	
M700, monitor	70	
M900, Monitor	70	
N		
NetRAID	142	
3si	142	
NetRAID, PCI	142	
Netstation	74	
NodeManager	117	
Non-HP		
Adaptec		
AHA-1510A	131	
AHA-2940C	142	
Black Box		
ServSwitch	83	
Marconi RB2	116	
MDL		
EX700	129	
FAWS	135	
Microsoft		
Natural	82	
MultiTech		
MT212AH3	122	
MT224AH	122	
MT224EH	122	
MT932EA	122	
Qualix		
Phobos	135	
RasterOps		
VideoLive	133	
Rose		
ServeView	83	
Shinko		
CHC-335	116	
CHC-336	116	
CHC-345	116	
CHC-645B	116	
Smartmodem		
1200	122	
2400	122	
SpaceTek		
SpaceWare	83	
Telebit		
TrailBlazer	123	
T2500	122	
TI		
8920	98	
8930	98	
U.S.Robotics		
Courier HST	123	
Courier 2400	123	
HST/V.32	123	
O		
OfficeJet		
(original)	90	
LX	90	
1150C	96	
Pro 1150C	113	
1150Cse	96	
1170C	96	
1170Cse	96	
1170Cxi	96	
1175C	96	
1175Cse	96	
1175Cxi	96	
300	95	
330	95	
350	95	
500	95, 111	
520	95, 111	
570	95, 111	
580	95	
590	95, 111	
600	96	
610	96	
630	96	
635	96	
OmniBack-II	51	
OmniShare	120	
OmniStorage	51	
OpenView	117	
P		
PaintJet		
(original)	99, 114	
XL	86, 104	
XL300	86, 105	
XL300/PS	87, 105	
PaintWriter	86	
Personal VRX. See VRX.		

Products by Model/Series Number/Name

Phasor, Printer.....99	4si.....104	4215e.....58
PhotoSmart	5, Network.....104	4215r.....58
Camera.....113	5P.....112	4228.....54
C20.....113	5Pse.....112	4248.....54
Printer.....110	5s.....113	4448.....54
Scanner.....112	5100C.....113	DLT30e.....56
PostScript.....113	5100Cse.....113	DLT40e.....56
PostScript Plus.....88	5100Cxi.....113	DLT40i.....59
PostScript@.....85	6100C.....113	DLT70e.....59
PowerTape	Series	T4i.....59
(interface).....133	200.....83, 185	T4000.....59
PowerTrust	2300.....89	100ST.....49
1.8KVA.....149	300.....185	100ST LAN.....49
1300.....149	400.....185	1200ex.....48
3.0KVA.....149	6000.....31, 32, 44, 56, 57	12000e.....56
600.....149	8000D.....57	160ex.....49
PowerTrust, UPS.....148	6000, Differential.....33	160fx.....49
PowerWise	6000, Storage.....34	165st.....47, 48
L1250.....149	6400.....53, 55, 56	20XT.....47
L600.....149	7600.....104	20XT LAN.....47
L900.....149	240D.....104	200fx.....49
1000.....149	240E.....104	2000e.....55, 56
2100.....149	250.....104	2000i.....55
PowerWise, UPS.....148	255.....105	24x6e.....59
PrinterPal.....118	355.....104	2600fx.....48
ProCurve	800.....4	300st.....48
Switch	SharedPrint.....85	320ex.....49
1600M.....120	SketchPro.....83, 114	330fx.....47
212M.....120	SNApplus.....118, 132	40fx.....47, 48
222M.....120	Space Mouse.....82	40ST.....49
2400M.....120	SpaceBall.....83, 116	40XT.....48
4000M.....120	2003.....80, 103	400ex.....49
8000M.....120	2003FLX.....81, 104	4020i.....45
PVRX. See VRX, Personal	3003.....80, 103	5000e.....56
Q	3003FLX.....80, 103	5000eU.....56
QuickBurst.....120	SP620, Disk Array.....30	5000i.....55
QuietJet.....97	SRX.....66	600fx.....48
QuietJet Plus.....97	Turbo.....66	6000e.....56
R	SRX, Graphics	6000eU.....56
Real-Time Interface.....140	(original).....115	6020ep.....45
Router.....121	Turbo.....115	6020es.....45
ER.....121	StarLAN	6020i.....45
TR.....121	Bridge.....121	660ex.....47, 48
210.....119	StarLAN-10	7100e.....45
RuggedWriter.....98	Hub.....121	7100i.....45
S	interface.....134	7110e.....45
ScanJet	MAU.....121	7110i.....45
(original).....115	Super VGA	80ex.....47, 48
Plus.....115	1024i.....70	80fx.....48
interface.....134	SureStore	80ST.....49
IIC.....105	DAT24e.....56	T
Iicx.....105, 106, 146	DAT24eU.....59	TelePACE, SPU.....7, 9, 15, 125, 162
IIP.....105	DAT24i.....56	TeleShare.....117, 126, 130, 152
3c.....107, 146	DAT24x6e.....56	ThinkJet.....97
3p.....107	DAT24x6i.....59	ThinLAN Hub Plus.....121
4c.....106, 107, 146	DAT8e.....56	TS
4p.....104	DAT8i.....56	8.....120
Office	DLT	TSIO.....126
4p.....104	4115e.....58	Turbo VRX. See VRX, Turbo
4s.....104	4115r.....58	TurboSRX. See SRX, Turbo

Products by Model/Series Number/Name

TVRX. See VRX.		
T1000.....	58	10LC, MO..... 50, 51
T1000e.....	58	100, MO..... 51
T3000es.....	58	100C, MO..... 51
T4i.....	59	100GB/A, MO..... 50
T4i, Tape.....	58	100GB/M, MO..... 50
T4000.....	58	1100, Printer..... 89
T4000s.....	58	12, AutoRAID..... 30
U		12H, AutoRAID..... 31
Ultra VGA		120T, MO..... 50
1024.....	70	1300T, MO..... 51
1280.....	70	1350SA, Array..... 32
1280 TCO.....	70	1350SX, Storage..... 33
1600.....	70	2/15, Library..... 54
Ultra VGA 1024, Monitor.....	70	2/28, Library..... 54
V		20 GB, MO..... 50
VC.....	139	20, Array..... 30
VCS.....	140	20, AutoRAID..... 30
Vectra.....	72	20, Disk Array..... 30
VISUALIZE		20C, MO..... 50
EG.....	66, 104	20GB/A, MO..... 49
VISUALIZE, Graphics		20GB/M, MO..... 49
EG.....	64, 66, 103, 125, 137, 138	20XT, MO..... 47
EG Dual.....	66, 103	200T, MO..... 50
FX2.....	66, 103, 141	2000, DDS..... 55
FX4.....	66, 103, 141	2000CN, Printer..... 97
FX6.....	66, 103, 141	2000Cse, Printer..... 97
IVX.....	65, 103, 138	2000Cxi, Printer..... 94
24.....	65, 103	2000DC, DDS..... 55
48.....	65, 102, 103	2600fx, MO..... 48
48, Texture.....	65, 102	3/30, Library..... 54
48XP.....	65, 66, 103, 125, 137	30/FC, Array..... 31
8.....	65, 103	330fx, MO..... 47
VISUALIZE-EG/PMC.....	66, 142	3330, Array..... 37
VISUALIZE-48XP, Graphics.....	66	3430, Array..... 37
VRX, Graphics		370, hydra..... 96
Color.....	144	3730, Array..... 37
Mono.....	144	380, hydra..... 96
Personal.....	63, 101	4/28, Library..... 54
interface.....	144	40T, MO..... 49
Personal,P1.....	115	4000DC, DDS..... 56
Personal,P2.....	115	4115we, DLT..... 59
Personal,P3.....	115	4115wr, DLT..... 59
Turbo.....	63, 67, 69, 101	418, DLT..... 59
interface.....	144	420SA, Array..... 32
Turbo,T1.....	115	4215we, DLT..... 59
Turbo,T2.....	115	4215wr, DLT..... 59
Turbo,T3.....	115	4228w, DLT..... 59
Turbo,T4.....	116	425e, SPU..... 9, 163, 185
Turbo,Upgrade.....	115, 116	425s, SPU..... 165, 185
VXlink.....	132	425t, SPU..... 166, 185
V743, SPU.....	176, 197	433s, SPU..... 9, 165, 185
V743rt, SPU.....	176	433t, SPU..... 9, 166, 185
Numerics		4448w, DLT..... 59
10, Array.....	30	48AL, DDS..... 53, 56
10, AutoRAID.....	30	50, monitor..... 70
10/588, Library.....	54	5200ex, MO..... 48
10:10 LAN Bridge LB.....	121	6/100, Library..... 54
10C, MO.....	50	60, MO..... 51
10GB/A, MO.....	50	60C, MO..... 51
		60GB/A, MO..... 50
		60GB/M, MO..... 50
		600/A, CD-ROM..... 44
		600fx, MO..... 48
		6300, MO..... 49
		650/A, MO..... 50
		650C, MO..... 49
		670SX, Storage..... 33
		70, Monitor..... 70
		700/RX, X-Terminal..... 73, 107
		Ca..... 73, 107
		Ci..... 73, 107
		Mi..... 73, 107
		14Ci..... 73, 107
		16Ci..... 73, 107
		19 Ca..... 73
		19Ca..... 107
		19Cs..... 73, 110
		19Mi..... 73, 107
		700/X, X-Terminal..... 73
		700/22, Terminal..... 72
		700/32, Terminal..... 72
		700/41, Terminal..... 72
		700/43, Terminal..... 72
		700/44, Terminal..... 72, 81
		700/60, Terminal..... 72
		700/70, Terminal..... 72
		700/71, Terminal..... 72
		700/92, Terminal..... 72
		700/94, Terminal..... 72
		700/96, Terminal..... 72
		700/96ES, Terminal..... 72
		700/98, Terminal..... 72
		700/98ES, Terminal..... 72
		705, SPU..... 7, 21, 76, 77, 125, 163
		710, SPU..... 7, 9, 21, 76, 77, 125, 163
		710e, SPU..... 9, 76, 163
		7115we, DLT..... 59
		7115wr, DLT..... 59
		712, SPU..... 7, 21, 76, 77, 125, 137, 164
		712/60, SPU..... 7
		712/80, SPU..... 7
		712/80i, SPU..... 7, 9
		712/100, SPU..... 7
		715, SPU..... 7
		715/33, SPU..... 7, 21, 76, 78, 125
		715s/33, SPU..... 7
		715t, SPU..... 21
		715t/33, SPU..... 7
		715/50, SPU..... 7, 21, 76, 78, 125
		715s, SPU..... 21
		715s/50, SPU..... 7
		715t, SPU..... 21
		715t/50, SPU..... 7
		715/64, SPU..... 7, 22, 76, 78, 125
		715/64 TCO..... 11
		715/75, SPU..... 8, 22, 76, 78
		715/80, SPU..... 8, 22, 76, 78, 125
		715/80 TCO..... 11
		715/100 TCO..... 11
		715/100, SPU..... 8, 22, 76, 78, 125, 168

Products by Model/Series Number/Name

715/100XC	78	748/132L, SPU	15, 22
715/100XC TCO	11	748/165L, SPU	15
715/100XC, SPU	8, 76, 125, 168	748i, SPU.....	76, 78, 125
715/33, SPU	167	748i/132L, SPU	8
715/50, SPU	167	748i/165L, SPU	8
715/64, SPU	168	750, SPU.....	8, 22, 76, 78, 125, 183
715/75, SPU	167	755, SPU.....	76, 78, 125, 184, 8, 22
715/80, SPU	168	755/125, SPU.....	8, 22
715s, SPU	76, 77, 125, 165	825, SPU.....	6, 8, 9
715t, SPU.....	76, 77, 125, 166	834, SPU.....	6, 9
720, SPU	8, 22, 76, 78, 125, 169	834CH, SPU	8
7200e, CD-RW.....	45	835, SPU.....	6, 8, 9
7200i, CD-RW	45	840, Printer	89
7215we, DLT.....	59	845, SPU.....	6, 8, 9
7215wr, DLT	59		
7228w, DLT.....	59		
7248w, DLT.....	59		
725, SPU	78		
725/50, SPU.....	8, 22, 76, 125		
725/75, SPU.....	8, 22, 76, 125		
725/100, SPU.....	8, 22, 76, 125, 172		
725/50, SPU.....	170		
725/75, SPU.....	170		
730, SPU	8, 22, 76, 78, 125, 169		
V743, SPU	125		
735, SPU	76, 125, 173, 8, 22		
735/99, SPU.....	78		
735CL, Cluster.....	8, 22		
735/125	78		
735/125, SPU.....	8, 22, 125		
735CL/125, Cluster.....	8		
735CL/125, SPU.....	9		
735CL, Cluster.....	76, 78, 125, 161		
742i, SPU.....	8, 22, 76, 77, 78, 125, 174		
742rt, SPU	9, 174		
743i/64, SPU.....	8, 22		
V743/64, SPU	8		
743i/100, SPU.....	8, 22		
V743/100, SPU	8		
743i, SPU.....	76, 78, 125, 175, 181		
743rt, SPU	9, 175		
V743, SPU	76, 78		
744, SPU	76, 177		
744/132L, SPU.....	8, 15, 22, 125		
744/165L, SPU.....	8, 15		
744i, SPU.....	78, 181		
744rt, SPU	9, 177		
7448w, DLT	59		
745, SPU	178		
745i/50, SPU.....	8, 22		
745i/100, SPU.....	8, 22		
745/132L, SPU.....	8, 15		
745i, SPU.....	76, 78, 125		
747, SPU	180		
747i/50, SPU.....	8, 22		
747i/100, SPU.....	8, 22		
747i, SPU.....	76, 78, 125		
748, SPU	181		
748i/64, SPU.....	8, 22		
748i/100, SPU.....	8, 22		

Products by HP CPL/PPL Product/Part Ordering Number

A		
Apollo		
A-ADD-ESTC, QIC-24	61	A1448A, CD-ROM
A-ADD-PCC, DOS	134	A1449A, QIC
AADDSFLP, Floppy	41	A1450A, HP-IB
A-ADD-SPE, Ser/Par	134	A1451A, HP-IB
A-ADD-SWFC, SCSI	134	A1454A, CRX-24Z.....
A-ADD-WFC, ESDI	134	63, 101
A-EX, 8mm	61	A1454A, Z-Buff
A-LPFK, Buttons	83, 116	144
A-NET-ATR, ATR	134	A1460A, Slots
A-NET-ETH, 802.3	134	128
A-NET-ITR, ITR	122, 134	A1467A, Expander
APLR-386, DOS	134	128
A-XT, 8mm	61	A1471A, Personal VRX.....
A-200EF, Hard Disk	38	63, 101, 144
A-6250, 9-Track	61	A1472A, Turbo VRX
A-660E, Hard Disk	38	63, 101, 144
A-697, Hard Disk	38	A1497A/B, Monitor
CGP, Printer	116	69
COM-PCI-RGB, ATR.....	134	A1659A, CRX
ETH-LINK-II	134	63, 69, 101, 144
ETH-RPTR-FIBER	122	A1726A, 9-Track.....
ETH-RPTR-MR2	122	52
ETH-RPTR-2C	122	A1748A, HP-FL.....
ETH-RPTR-9C	122	139
ETH-XCVR-MP8	122	A1749A, HP-FL.....
ETH-XCVR-TMS3	122	139
ETH-XCVR-02DIAG	122	A1828A, Expander
ETH-XCVR-03DIAG	122	128
ETH-XCVR-3C	122	A1896A, Rack
HCD-MMP, Printer.....	99, 116	148
KIT-CENTx, Parallel.....	134	A1905A, Parallel.....
LP26, Printer	116	131
LP26-S, Printer	99	A1924A, GRX
LP26-SPE, Printer	99	63, 102, 144
LP80010, Printer.....	99, 116	A1926A, 720 SPU
PTR-PAR-BOARD	135	10
RNS-ATR.....	122	A1927A, 720 SPU
SCAT10N/R, X.25	135	10
SPTL-2003, SpaceBall.....	83, 116	A1928A, 720 SPU
TBIT-02500, Modem	122	10
A1083A, IGC 20	131	A1929A, 720 SPU
A1086A, IGC 10	131	A1930A, 720 SPU
A1094-69012.....	39	A1931A, 720 SPU
A1095-69008, Hard Disk	29	10
A1096A, VRX	144	A1932A, 720 SPU
A1097, Monitor	69	10
A1098A, Local Kit	79	A1933A, 720 SPU
A1099A/B, Local Kit.....	79	10
A1099C, Local Kit	79	A1935A, 720 SPU
A1401A, Adaptor	128	10
A1416A, VRX	144	A1936A, 720 SPU
A1421-67901, Driver.....	135	10
A1439A, CRX-24	63, 101, 144	A1937A, 720 SPU
A1440A, Hard Disk	25	10
A1442A, Hard Disk	25	A1938A, 720 SPU
A1443A, Hard Disk	25	10
A1444A, Hard Disk	25	A1939A, 720 SPU
A1447A, DDS	52	10
		A1940A, EVRX
		144
		A1941A, 720 SPU
		10
		A1943A, 720 SPU
		10
		A1944A, 720 SPU
		10
		A1945A, 730 SPU
		10
		A1946A, 730 SPU
		10
		A1947A, 730 SPU
		10
		A1948A, 730 SPU
		10
		A1949A, 730 SPU
		10
		A1950A, 730 SPU
		10
		A1951A, 730 SPU
		10
		A1952A, 730 SPU
		10
		A1953A, 730 SPU
		10
		A1954A, 730 SPU
		10
		A1955A, 730 SPU
		10
		A1956A, EVRX
		144
		A1956A, 730 SPU
		10
		A1957A, SPU Upgrade
		16
		A1958A, 730 SPU
		10
		A1959A, 730 SPU
		10
		A1960A, 730 SPU
		10
		A1961A, 750 SPU
		10
		A1962A, 750 SPU
		10
		A1963A, 750 SPU
		11
		A1964A, 750 SPU
		11
		A1965A, 730 SPU
		11
		A1968A, Floppy.....
		40
		A1969A, 750 SPU
		11
		A1970A, 750 PU
		11
		A1971A, 750 SPU
		11
		A1977A, 750 SPU
		11
		A1978A, RAM
		23
		A1979A, RAM
		23
		A1980A, Hard Disk
		25
		A1981A, Hard Disk
		25
		A1982A, Hard Disk
		25
		A1983A, Hard Disk
		25
		A1984A, Floppy
		40
		A1985A, CD-ROM
		43
		A1986A, EISA Slot.....
		144
		A1986A, Slot.....
		129
		A1987A, Rack.....
		148
		A1987A, RAM
		23
		A1988A, Hard Disk
		25
		A1989A, Hard Disk
		25
		A1990A, DDS.....
		52
		A1993A, Hard Disk
		30
		A1999A, CD-ROM
		43
		A2060A, 715 SPU
		11
		A2061A, 715 SPU
		11
		A2062A, 715 SPU
		11
		A2063A, 715 SPU
		11
		A2071A, Hard Disk
		25
		A2072A, Hard Disk
		25
		A2073A, Floppy
		40
		A2074A, CD-ROM
		43
		A2075A, Hard Disk
		25
		A2076A, Hard Disk
		25
		A2084-69002
		39
		A2084-69013
		39
		A2084-69015
		39
		A2084-69016
		39
		A2084-69018
		39
		A2087A, SPU Upgrade
		16
		A2088A, Monitor.....
		69
		A2089A, SPU Upgrade
		16
		A2089-66530, Card.....
		78, 129, 144
		A2090A, SPU Upgrade
		16
		A2091A, CRX-48Z
		63, 102
		A2091A, E-SGC Card.....
		64
		A2091-66580, CRX-48Z.....
		144
		A2091-66580, SGC Card.....
		63
		A2092A SPU Upgrade
		16
		A2093A, SPU Upgrade
		16
		A2094A, Monitor.....
		69
		A2095-69001
		39
		A2201A, RAM
		23
		A2202A, RAM
		23
		A2205A, Local Kit.....
		79
		A2205B, Local Kit.....
		79
		A2208A, 710 SPU
		11
		A2209A, 710 SPU
		11
		A2210A, 710 SPU
		11
		A2211A, 710 SPU
		11
		A2212A, 710 SPU
		11
		A2213A, 710 SPU
		11
		A2214A, 710 SPU
		11
		A2215A, 710 SPU
		11

Products by HP CPL/PPL Product/Part Ordering Number

A2216A, RAM	23	A2522A, RAM/CPU	23	A2642A, DDS.....	52
A2217A, RAM	23	A2531A, RAM/CPU	23	A2643A, DDS.....	52
A2218A, RAM	23	A2532A, RAM/CPU	23	A2644A, CD-ROM.....	43
A2219A, Hard Disk	25	A2533A, RAM	23	A2645A, Floppy	40
A2221A, Hard Disk	25	A2534A, RAM	23	A2646A, RAM.....	23
A2222A, 710 SPU.....	11	A2544A, ATR	117, 131	A2647A, SPU Upgrade	16
A2223A, Floppy	40	A2545A, ATR	117, 131	A2648A, 705 SPU	12
A2224A, CD-ROM.....	43	A2548A, Local Kit	79	A2648B, 705 SPU	12
A2226A, Software	116	A2549A, Local Kit	79	A2649A, 705 SPU	12
A2229BA, Software.....	116, 146	A2551A, 755 SPU	11	A2649B, 705 SPU	12
A2248A, SPU Upgrade.....	16	A2552A, 755 SPU	12	A2649C, 705 SPU	12
A2248AU, SPU Upgrade.....	16	A25525B Interface	51	A2650A, 755 SPU	13
A2251...9A, Hard Disk	26	A2553A, 755 SPU	12	A2652A, 755 SPU.....	13
A2253A, CD-ROM.....	43	A2556A, Hard Disk	26	A2654A, FDDI.....	117, 129
A2254A, DDS	52	A2562A, RAM	23	A2655A, CD-ROM.....	43
A2260A, 742 SPU.....	11	A2563A, Hard Disk	26	A2656A, DDS.....	52
A2262A, CRX	144	A2564A, Hard Disk	26	A2657A, Hard Disk	30
A2262A, Dual CRX.....	63, 102	A2565A, Hard Disk	26	A2658A, AUI.....	117, 129
A2263A, 720 SPU.....	11	A2566A, Hard Disk	26	A2659A, 735 SPU.....	13
A2264A 720 SPU.....	11	A2567A, RAM	23	A2665A, FDDI.....	117, 129
A2265A, 730 SPU.....	11	A2577A, RAM	23	A2666A, CRX Upgrade.....	102
A2266A, 730 SPU.....	11	A2578A, RAM	23	A2666A, CRX-48Z	63, 144
A2267A, 750 SPU.....	11	A2600A, 755 SPU	12	A2667A, CRX Upgrade.....	102
A2268A, 750 SPU.....	11	A2601A, 735 SPU	12	A2667A, CRX-48Z	64, 144
A2269A, CRX	144	A2602A, 735 SPU	12	A2668A, RAM.....	23
A2269A, Dual CRX.....	63, 102	A2603A, 735 SPU	12	A2669A, RAM.....	23
A2270A, CRX Upgrade	102	A2605A, SPU Upgrade	16	A2670A, 10Base2.....	117
A2270A, CRX-24	144	A2606A, SPU Upgrade	16	A2671A, 10BaseT.....	117
A2270A, Dual CRX.....	63	A2607A, 735 SPU	12	A2672A, SPU Upgrade	16
A2271A, CRX Upgrade	102	A2608A, 735 SPU	12	A2673A, CRX-24.....	64, 102, 144
A2271A, CRX-24	63, 144	A2609A, 735 SPU	12	A2674A, CRX-24Z	64, 102, 144
A2272A, CRX Upgrade	102	A2610A, 715 SPU	12	A2675-66581, E-SGC Card	64
A2272A, CRX-24	63, 144	A2611A, 715 SPU	12	A2675A, CRX-48Z	64, 102
A2274A, DDS	52	A2612A, 715 SPU	12	A2675-66581, E-SGC Card	64
A2275A, DDS	52	A2613A, 715 SPU	12	A2679A, SCSI	131
A2276A, 730 SPU.....	11	A2614A, 715 SPU	12	A2685A, 725 SPU	13
A2277A, 730 SPU.....	11	A2616A, 715 SPU	12	A2689A, 725 SPU.....	13
A2277B, 730 SPU.....	11	A2617A, 715 SPU	12	A2691A, 725 SPU.....	13
A2278A, 750 SPU.....	11	A2618A, 715 SPU	12	A2692A, 725 SPU.....	13
A2279A, 750 SPU.....	11	A2619A, 715 SPU	12	A2693A, 725 SPU.....	13
A2281A, 750 SPU.....	11	A2620A, 715 SPU	12	A2695A, 725 SPU.....	13
A2282A, 750 SPU.....	11	A2621A, 715 SPU	12	A2696A, 725 SPU.....	13
A2282B, 750 SPU.....	11	A2625A, 715 SPU	12	A2800A, Hard Disk	26
A2283A, 750 SPU.....	11	A2627A, 715 SPU	12	A2801A, Hard Disk	26
A2284A, 730 SPU.....	11	A2628A, SPU Upgrade	16	A2802A, Floppy	41
A2286A, 720 SPU.....	11	A2629A, 715 SPU	12	A2803A, CD-ROM.....	43
A2287, Monitor.....	69	A2630A, 715 SPU	12	A2804A, EISA Slot.....	167
A2288-69002, Hard Disk	29	A2631A, 715 SPU	12	A2804A, Slot.....	128
A2288-69003, Hard Disk	29	A2632A, 715 SPU	12	A2805A, SPU Upgrade	16
A2289A, 705 SPU.....	11	A2633A, 715 SPU	12	A2806A, SPU Upgrade	16
A2311A, QIC-525	52	A2634A, 715 SPU	12	A2807A, SPU Upgrade	16
A2444A, Hard Disk	26	A2635A, 715 SPU	12	A2808A, SPU Upgrade	16
A2445A, Hard Disk	26	A2637A, 745 SPU	12	A2809A, Hard Disk	26
A2446A, Hard Disk	26	A2637B, 745 SPU	12	A2813A, Hard Disk	26
A2474A, DDS	52	A2638A, 745 SPU	12	A2814A, Floppy	41
A2475A, DDS	52	A2638B, 745 SPU	12	A2815A, RAM.....	23
A2512A, RAM	23	A2639A, 747 SPU	12	A2816A, RAM.....	23
A2513A, RAM	23	A2639B, 747 SPU	12	A2817A, CD-ROM.....	43
A2518A, RAM	23	A2640A, Hard Disk	26	A2823A, 715 SPU	13
A2521A, RAM/CPU	23	A2641A, Hard Disk	26	A2824A, 715 SPU	13

Products by HP CPL/PPL Product/Part Ordering Number

A2825A, 715 SPU.....	13	A3231A, Array.....	30	A3629A, HDD.....	26
A2826A, 715 SPU.....	13	A3232A, Array.....	30	A3635A, DLT.....	53
A2827A, RAM.....	23	A3262-69211, AP.....	130, 137	A3636A, HSC F.C.....	137
A2828A/B, Monitor.....	69	A3304A, Hard Disk.....	26	A3638A, HSC F.C.....	137
A2829A, RAM.....	23	A3308A, FC-SCSI Mux.....	147	A3640A, DDS.....	53
A2831A, LAN.....	129	A3308A, HASS.....	30	A3644A, HSC SCSI.....	137
A2832A, Hard Disk.....	26	A3311A, Storage.....	30	A3646A, Hard Disk.....	30
A2833A, SCSI Upgrade.....	31	A3312A, Storage.....	30	A3647A, Hard Disk.....	31
A2835A, SPU Upgrade.....	16	A3317A, Hard Disk.....	30	A3649A, Hard Disk.....	31
A2836A, SPU Upgrade.....	16	A3318A, Hard Disk.....	30	A3658A, 100BaseT.....	117, 131
A2837A, SPU Upgrade.....	16	A3319A, Hard Disk.....	30	A3659A, FDDI.....	117, 131
A2838A, Mouse.....	79, 102	A3320A, Hard Disk.....	30	A3660A, 4GB HDD.....	31
A2839A/B, Mouse.....	79, 102	A3322A, DDS.....	53	A3661A, Array.....	31
A2839C, Mouse.....	79, 102	A3324A, DDS.....	53	A3666A, Hard Disk.....	31
A2840A/B, Keyboard.....	79	A3330A, DDS.....	53	A3699A, HSC-NIO.....	137
A2874-66005, SCSI.....	137	A3349A, Hard Disk.....	26	A3700A, AutoRAID.....	31
A2875A, RAM.....	23	A3350A, Hard Disk.....	26	A3715A, CD-ROM.....	43
A2876A, J280 SPU.....	13	A3351A, Hard Disk.....	26	A3716A, DDS.....	53
A2878A, Graphics.....	64, 102, 130	A3352A, Hard Disk.....	26	A3722A, HSC FDDI.....	137
A2880A, Keyboard.....	79	A3353A, Hard Disk.....	26	A3723A, GSC FDDI.....	137
A2881A, Keyboard.....	79	A3357A, 8mm.....	53	A3724A, FC-AL Hub.....	117
A2882A/B, Monitor.....	69	A3388A, Storage.....	30	A3737A, 512MB RAM.....	24
A2885A, Hard Disk.....	26	A3389A, Storage.....	30	A3738A, PCI 100baseT.....	141
A2886A, Hard Disk.....	26	A3396A, Hard Disk.....	30	A3739A, PCI FDDI.....	141
A2889A, fwdSCSI.....	27, 130	A3400A, DDS.....	53	A3740A, PCI, FC.....	141
A2896A, 715 SPU.....	13	A3402A, 100VG.....	131	A4000A, VME Cage.....	128
A2897A, 725 SPU.....	13	A3404A, HSC FC1063.....	137	A4001A, VME Cage.....	128
A2941A, PowerTrust.....	149	A3406A, FC-266.....	137	A4010A, 712 SPU.....	13
A2942A, Floppy.....	41	A3409A, EPS20 SPU.....	13	A4010B, 712 SPU.....	13
A2943A, Slots.....	128	A3410A, K410 SPU.....	13	A4010C, 712 SPU.....	13
A2944A, QIC-1050.....	52	A3411A, K210 SPU.....	13	A4010D, 712 SPU.....	13
A2958A, Hard Disk.....	26	A3415A, DDS.....	53	A4011A, 802.5.....	117, 130
A2969A, SCSI.....	137	A3416A, CD-ROM.....	43	A4011B, 802.5.....	117, 130
A2990A, Slots.....	128	A3435A, K260 SPU.....	13	A4012A, TeleShare.....	117, 130
A2991-60001, AP.....	130	A3452A, K420 SPU.....	13	A4012AA, TeleShare.....	126, 152, 198
A2991-60013, AP Line.....	117	A3483A, RAM.....	24	A4012AJ, TeleShare.....	117, 130
A2991-60016, AP Line.....	117	A3489A, K460 SPU.....	13	A4013A, Serial.....	130
A2992A, RAM Extender.....	16	A3489B, K460 SPU.....	13	A4014A, 2nd LAN.....	117, 130
A2994A, PowerTrust.....	149	A3495AA, 100BaseT.....	117, 139	A4015A, X.25.....	117, 130
A2995A, Additional CPU.....	16	A3502A, FC Switch.....	117	A4022-62003, Cable.....	79
A2996A, PowerTrust.....	149	A3511A, FC-SCSI Mux.....	147	A4022-62005, Adaptor.....	75, 79, 168
A2997A, PowerTrust.....	149	A3511A, HASS.....	30	A4023A, 712 SPU.....	13
A2998A, PowerTrust.....	149	A3515A, AutoRAID.....	30	A4023D, 712 SPU.....	13
A2999A, Graphics.....	64, 137	A3516A, AutoRAID.....	30	A4025A, Graphics.....	102
A3024A, 8mm.....	52	A3517A, Hard Disk.....	30	A4025A, VRAM.....	64
A3025A, Hard Disk.....	26	A3519A, VIS-EG.....	64, 137	A4027A, 712 SPU.....	13
A3026A, RAM.....	23	A3533A, K460 SPU.....	13	A4027D, 712 SPU.....	13
A3027A, RAM.....	23	A3533B, K460 SPU.....	13	A4029A, Floppy.....	41
A3058A, Hard Disk.....	26	A3539A, Array.....	30	A4030A, Local Kit.....	79
A3086A, CD-ROM.....	43	A3540A, Array.....	30	A4030B, Local Kit.....	79
A3087A, Hard Disk.....	26	A3542A, DDS.....	53	A4030D, Local Kit.....	79
A3145A, Hard Disk.....	26	A3543A, RAM.....	24	A4031A, FC-266.....	131
A3182A, Hard Disk.....	26	A3544A, DLT.....	53	A4031A, Fibre Ch.....	117
A3183A, DDS.....	53	A3545A, DLT.....	53	A4032, Monitor.....	69
A3184A, CD-ROM.....	43	A3546A, DLT.....	53	A4033, Monitor.....	69
A3185A, Slots.....	128	A3549A, Array.....	30	A4049A, DVC.....	80
A3186A, Slots.....	128	A3550A, Array.....	30	A4050A, SPU Upgrade.....	16
A3188A, SPU Upgrade.....	16	A3590A, DLT.....	53	A4051A, SPU Upgrade.....	16
A3191A, Hard Disk.....	26	A3591A, EISA FC1063.....	137	A4052A, SPU Upgrade.....	16
A3222A, K410 SPU.....	13	A3628A, 9 GB HDD.....	30	A4053A, 735 SPU.....	13

Products by HP CPL/PPL Product/Part Ordering Number

A4065A, Hard Disk	26	A4142A, SPU Upgrade	16	A4253-69001, GSC Card	65
A4066A, Hard Disk	26	A4143A, SPU Upgrade	16	A4254A, Freedom	65, 103
A4067A, Hard Disk	26	A4144A, SPU Upgrade	16	A4255A, Freedom	65, 103
A4068A, Floppy	41	A4145A, SPU Upgrade	16	A4260A, 743 SPU	14
A4069A, CRX-48Z	64	A4146A, SPU Upgrade	16	A4261A, 743 SPU	14
A4070A, Graphics	102	A4147A, SPU Upgrade	16	A4262A, Slots	128, 138
A4070A, HCRX-8	64	A4148A, SPU Upgrade	16	A4263A, RAM	24
A4070A/B, HCRX-8	137	A4149A, SPU Upgrade	16	A4264A, RAM	24
A4070B, Graphics	102	A4152A, 735 SPU	14	A4265A, RAM	24
A4070B, HCRX-8	64	A4153A, 755 SPU	14	A4266A, RAM	24
A4070B, HCRX-8Z	64, 102	A4154A, 735 SPU	14	A4267A, Graphics	65, 103, 138
A4070B, VIS-8	65, 103	A4155A, 755 SPU	14	A4268A, SCSI	138
A4071A, Graphics	102	A4157A, MPS10 Cluster	14	A4269A, PCMCIA	128
A4071A, HCRX-24	64	A4160A, Rack	148	A4272A, Hard Disk	27
A4071A/B, HCRX-24	137	A4168A, Adaptor	71	A4273A, Hard Disk	27
A4071B, Graphics	102	A4169A, Adaptor	71	A4274A, Hard Disk	27
A4071B, HCRX-24	64	A4170A, 735 SPU	14	A4275A, Hard Disk	27
A4071B, HCRX-24Z	65	A4171A, CD-ROM	43	A4280A, Hard Disk	27
A4071B, VIS-24	65, 103	A4172A, 735 SPU	14	A4281A, DDS	53
A4071-40001	138	A4173A, 755 SPU	14	A4281D, DDS	53
A4071-40003	138	A4177A, RAM	24	A4282A, CD-ROM	43
A4071-62001	138	A4178A, Floppy	41	A4283A, Floppy	41
A4072A, Graphics	102	A4179A, HCRX-24Z	65	A4283D, Floppy	41
A4072A, HCRX-24Z	65	A4180A, Floppy	41	A4290A, J200 SPU	14
A4072A, HCRX-3D	64	A4183A, Floppy	41	A4292A, DDS	53
A4072A, HCRX-8Z	64, 102	A4184A, Floppy	41	A4299A, Cache	24
A4073A, CRX-48Z	64	A4186A, DDS	53	A4299A, Cache 1MB	17
A4073A, Graphics	102	A4187A, DDS	53	A4302A, Cable	77
A4073A/B, HCRX-48Z	137	A4190A, B132L SPU	14	A4303A, Adaptor	123
A4073B, CRX-48Z	64	A4191A, B160L SPU	14	A4304A, Adaptor	68
A4073B, Graphics	102	A4200A, C100 SPU	14	A4306A, DDS	53
A4074A, CRX-48Z	64	A4200D, C100 SPU	14	A4307A, DDS	53
A4076A, DDS	53	A4201A, C100 SPU	14	A4308A, 100BaseT	117, 131
A4077A, Graphics	64, 102	A4201D, C100 SPU	14	A4310A, 748 SPU	14
A4077A/B, CR-8	137	A4207A, RAM	24	A4310D, 748 SPU	14
A4077B, Graphics	64, 102	A4208A, RAM	24	A4311A, 748 SPU	14
A4078A, Graphics	64, 102	A4209A, RAM	24	A4311D, 748i SPU	14
A4079A, HCRX-8Z	64, 102	A4211A, VIS-48	65, 102	A4315A, HCRX-8VME	65, 103, 138
A4079B, HCRX-8Z	64, 102	A4213A, Hard Disk	27	A4316A, HCRX-24VME	65, 103, 138
A4080A, J200 SPU	13	A4214A, 2GB HDD	27	A4318A, C200 SPU	14
A4081A, J210 SPU	13	A4216A, DDS	53	A4321A, Hard Disk	27
A4083A, 735 Cluster	13	A4217A, Graphics	65, 102	A4322A, Hard Disk	27
A4084A, 735 Cluster	13	A4217A, 2nd Head	130	A4323A, B180L SPU	14
A4085A, 735 Cluster	13	A4217A, 2nd LAN	117	A4325A, CD-ROM	43
A4086A, 735 Cluster	14	A4219A, Expander	128	A4325D, CD-ROM	43
A4087A, 735 SPU	14	A4220A/B, Adaptor	75, 80, 102	A4326A, CD-ROM	43
A4088A, 735 SPU	14	A4220-60001, Adaptor	80	A4327A, CD-ROM	43
A4090A, 715 SPU	14	A4234A, J282 SPU	14	A4328A, CD-ROM	43
A4091A, 715 SPU	14	A4242A, Accelerator	65, 103	A4329A, CD-ROM	43
A4092A, 725 SPU	14	A4243A, DDS	53	A4329D, CD-ROM	43
A4093A, 715 SPU	14	A4244A, VIS-48	65, 102, 103	A4330, Monitor	69
A4100A, 755 SPU	14	A4245A, Texture	65, 102	A4331, Monitor	69
A4105A, SPU Upgrade	16	A4246A, VIS-48XP	65, 103, 137	A4332A, Monitor	69
A4106A, SPU Upgrade	16	A4247A, Texture	65, 103	A4333A, VIS-IVX	65, 103, 138
A4107A, SCSI	137	A4248A, Video	65, 103, 137, 146	A4340A, 715 SPU	14
A4117A, Hard Disk	26	A4249A, DDS	53	A4341A, 715 SPU	14
A4118A, Hard Disk	26	A4251, Monitor	69	A4345A, 712 SPU	14
A4119A, Hard Disk	26	A4252A, DDS	53	A4345D, 712 SPU	14
A4126A, VRAM+CRT	102	A4253A, Freedom	65, 103	A4350A, Tray	128
A4137A, Hard Disk	27	A4253-69001, Freedom i/f	137	A4350A, 748 SCSI Upgrade	17

Products by HP CPL/PPL Product/Part Ordering Number

A4351A, Hard Disk	27	A4501A, RAM	24	A4891A, HF Switch	117
A4356A, Hard Disk	27	A4502A, RAM	24	A4910A, HDD	31
A4360A, SpaceBall.....	80, 103	A4503A, RAM	24	A4912A, HDD	31
A4361A, SpaceBall.....	80, 103	A4504A, PMC Bridge	128	A4919A, PCI Hyper.....	142
A4361C, SpaceBall.....	80, 103	A4505A, Slots	128	A4920A, HSC Hyper	138
A4362A, Dials	81, 103	A4506A, CD-ROM	44	A4924A, HSC 1000SX	138
A4363A, Buttons	81, 103	A4507A, CD-ROM	44	A4926A, GSC 1000SX	138
A4364A, Tablet	81, 103	A4508A, 2nd CPU	17	A4926A, PCI Gb LAN	142
A4365A, Tablet	81, 103	A4508A, 2nd J282 CPU.....	15	A4930A, PCI 802.5	142
A4370A, Headset.....	81	A4509A, PMC Bridge.....	128	A4943A, J2240 Upgrade	17
A4371A, Headset.....	81	A4510A, 748 SPU	15	A4945A, C240 SPU	15
A4372A, Headset.....	81	A4511A, 755/165L Board	15	A4946A, C240se SPU.....	15
A4373A, Headset.....	81	A4513A, 748/165L SPU	15	A4953A, CD-ROM.....	44
A4374A, Headset.....	81	A4514A, 744 Upgrade	17	A4955A, EISA Slot.....	128
A4375A, Headset.....	81	A4515A, RAM	24	A4956A, DDS2.....	54
A4441A, VIS-8.....	65, 103	A4516A, RAM	24	A4958A, 2GB HDD	27
A4442A, VIS-24	65, 103	A4517A, RAM	24	A4959A, SpaceBall	81, 104
A4443A, VIS Upgrade	66, 103	A4520A, 744 SPU	15	A4964A, 745/132L	15
A4448A, DDS	53	A4521A, C160 SPU	15	A4974A, PCI SCSI.....	142
A4449A, RAM	24	A4522A, C160 SPU	15	A4975A, PCI FC-Cu.....	142
A4450A, VIS-EG	66, 103, 138	A4523A, C180 SPU	15	A4976A, PCI fwdSCSI	142
A4451A, Dual VIS-EG	66, 103, 138	A4542A, EISA Slot	128	A4977A, PCI card	66, 104
A4452A, VRAM	66, 103	A4546A, EISA Slot	128	A4979A, PCI-EG PMC.....	66, 142
A4455A, VIS-EG	66, 103, 138	A4552A, VIZ-FX2.....	66, 103, 141	A4980A, PCI Module	128
A4455A, VIS-48XP HSC	66	A4553A, VIZ-FX4.....	66, 103, 141	A4984A, 512MB RAM	24
A4458A, J2240 SPU.....	14	A4554A, VIZ-FX6.....	66, 103, 141	A4990A, PCI FC	142
A4459A, Hard Disk	27	A4556A, Video Export.....	66, 146	A4999A, PCI uwsSCSI.....	142
A4460A, Hard Disk	27	A4559A, Texture Map.....	66, 103, 146	B	
A4461A, Hard Disk	27	A4560A, Texture Map.....	66, 103	BINT-S0P700, ISDN.....	131
A4462A, DDS	54	A4568A, Hard Disk	27	BINTS0X70, ISDN	131
A4462D, DDS	54	A4569A, Hard Disk	27	BINT-S2P700, ISDN.....	131
A4463A, CD-ROM.....	43	A4570A, Hard Disk	27	BINT-4S0700, ISDN	131
A4463D, CD-ROM	43	A4575A, Monitor.....	69	B1039A, 710 SPU	15
A4464A, Floppy	41	A4576A, Monitor.....	69	B1039B, 710 SPU	15
A4464D, Floppy	41	A4578A, B132L+ SPU	15	B1040A, 720 SPU	15
A4465A, DDS	54	A4625A, VRAM	130, 146	B1040B, 720 SPU	15
A4466A, DDS	54	A4705A, SCSI	141	B1227A, Keyboard.....	81
A4466D, DDS.....	54	A4706A, SCSI	141	B1917B, Software.....	85, 101
A4467A, DDS	54	A4712A, LAN	142	B197xBA, Software.....	51
A4467D, DDS.....	54	A4713A, Fibre.....	142	B3651GA, Software.....	74
A4477A, Hard Disk	27	A4714A, HIPPI PCI.....	142	B3653GA, Software.....	74
A4478A, 2nd J210XC CPU.....	14	A4800A, PCI, fwdSCSI	142	B415xA, UPS Software	149
A4480A, Hard Disk	27	A4806A, ATL 2640(DLT).....	54	B5426AA, NIO 100VG.....	139
A4481A, J210 SPU.....	14	A4820A, Disk Rack.....	31	B5427AA, NIO 100BT	139
A4482A, Hard Disk	27	A4821A, Hard Disk	31	B5500AA, License.....	135
A4483A, Hard Disk	27	A4839A, FC Hub	117	B5502AA, FDDI	117, 131, 135
A4484A, Hard Disk	27	A4842A, DLT4000	54	B5503AA, License.....	135
A4485A, Hard Disk	27	A4843A, DLT7000	54	B5509A, PCI 100BaseT	142
A4486A, Hard Disk	27	A4844A, DLT4000	54	C	
A4487A, J282 SPU.....	14	A4845A, Library	54	CEDT1002, Converter.....	147
A4488A, J282 SPU.....	14	A4846A, Library	54	CODX-3350, Modem.....	118
A4489A, CD-ROM.....	43	A4847A, DLT4000	54	CODX-3380A/B, Modem	118
A4490A, Monitor	69	A4848A, DLT7000	54	CODX-35009, Modem.....	118
A4491A, J210 SPU	14	A4850A, DLT Lib	54	CURR-FS02, Extender	147
A4494A, CD-ROM.....	43	A4851A, Library	54	C1001, Terminal.....	72
A4495A, CD-ROM.....	43	A4853A, Library	54	C1002, Terminal.....	72
A4496A, CD-ROM.....	44	A4855A, Library	54	C1003, Terminal.....	72
A4497A, CD-ROM.....	44	A4860A, DLT4000	54	C1004, Terminal.....	72
A4498A, CD-ROM.....	44	A4861A, DLT7000	54	C1005, Terminal.....	72
A4500A, 744 SPU.....	15	A4867A, DLT4000	54	C1006, Terminal.....	72

Products by HP CPL/PPL Product/Part Ordering Number

C1007, Terminal	72	C1114H, MO	48	C1429A, Keyboard.....	79, 83
C1010C, Terminal	72	C1114J, MO.....	48	C1429A/B, Keyboard.....	81
C1010J, Terminal	72	C1115F, MO.....	48	C1429B, Keyboard.....	79
C1010K, Terminal	72	C1115G, MO	48	C1501A, DDS.....	54, 62
C1010T, Terminal.....	72	C1115H, MO	48	C1502A, DDS.....	54
C1017, Terminal	72	C1115J, MO.....	48	C1503A, DDS.....	54
C1027A, Keyboard	81	C1116F, MO.....	48	C1503B, DDS.....	54
C1027C, Keyboard	81	C1116H, MO	48	C1511A, DDS.....	56
C1064, Terminal	72	C1120A, ScanJet	104	C1512A, DDS.....	55
C1065, Terminal	72	C1127A, ScanJet	104	C1513C, DDS.....	55
C1080, Terminal	72	C1129A, ScanJet	104	C1520A, DDS.....	55
C1083W, Terminal	72	C1135A, ScanJet	104	C1520B, DDS.....	55
C1084W, Terminal	72	C1137A, ScanJet	104	C1520E, DDS.....	55
C1085W, Terminal	72	C1138A, ScanJet	104	C1520F, DDS.....	55
C1093, Terminal	72	C1139A, ScanJet	104	C1520G, DDS	55
C1094W, Terminal	72	C1150A, MO.....	48	C1520H, 2GB DDS1.....	55
C1100A, MO.....	47	C1150B, MO.....	48	C1521B, DDS.....	55
C1100B, MO.....	47	C1150F, MO.....	48	C1521E, DDS.....	55
C1100F, MO.....	47	C1150G, MO	48	C1521F, DDS.....	55
C1100G, MO.....	47	C1150H, MO	48	C1521G, DDS.....	55
C1100H, MO.....	47	C1150J, MO.....	49	C1521H, 4GB DDS1.....	55
C1100J, MO.....	47	C1152A, MO.....	49	C1522A, DDS.....	55
C1101A, MO.....	47	C1152B, MO.....	49	C1522E, DDS.....	55
C1101F, MO.....	47	C1153A, MO.....	49	C1523A, DDS.....	55
C1101H, MO.....	47	C1160, MO	49	C1523E, DDS.....	55
C1102A, MO.....	47	C1160A, MO.....	49	C1524A, DDS.....	55
C1102B, MO.....	47	C1160B, MO.....	49	C1524E, DDS.....	55
C1103A, MO.....	47	C1160F, MO.....	49	C1525A, DDS.....	55
C1104A, MO.....	47	C1160G, MO	49	C1525F, DDS.....	55
C1104B, MO.....	47	C1160H, MO	49	C1525G, DDS	55
C1104F, MO.....	47	C1162A, MO.....	49	C1525H, 2GB DDS1.....	55
C1104G, MO.....	47	C1162B, MO.....	49	C1526A, DDS.....	55
C1104H, MO.....	47	C1163A, MO.....	49	C1526F, DDS.....	55
C1104J, MO.....	47	C1170A, MO.....	49	C1526G, DDS	55
C1105F, MO.....	47	C1170B, MO.....	49	C1526H, 4GB DDS1.....	55
C1105G, MO.....	47	C1170F, MO.....	49	C1527A, DDS.....	55
C1105H, MO.....	47	C1170G, MO	49	C1528A, DDS.....	56
C1105J, MO.....	48	C1170H, MO	49	C1528F, DDS.....	56
C1106A, MO.....	48	C1170J, MO.....	49	C1528H, 8GB DDS1.....	56
C1107A, MO.....	48	C1172A, MO.....	49	C1529H, 8GB DDS2.....	56
C1107B, MO.....	48	C1172B, MO.....	49	C1530B, DDS.....	56
C1107F, MO.....	48	C1173A, MO.....	49	C1531A, DDS.....	56
C1107G, MO.....	48	C1191F, DLT.....	54	C1533A, DDS.....	56, 62
C1107H, MO.....	48	C1191H, DLT.....	54	C1536A, DDS.....	56
C1107J, MO.....	48	C1192F, DLT.....	54	C1541A, DDS.....	56
C1108F, MO.....	48	C1192H, DLT.....	54	C1549A, DDS.....	56
C1108G, MO.....	48	C1194F, DLT.....	54	C1551A, DDS.....	56
C1108H, MO.....	48	C1194H, DLT.....	54	C1551B, DDS.....	56
C1109A, MO.....	48	C1200A, Printer.....	86, 104	C1552A, DDS.....	56
C1110F, MO.....	48	C1202A, Printer.....	86, 104	C1553A, DDS.....	56
C1110G, MO.....	48	C1205A, Printer.....	86, 104	C1555A, DDS.....	56
C1110H, MO.....	48	C1208A, Printer.....	86	C1555B, 24GB DDS3.....	56
C1110J, MO.....	48	C1302A, ScanJet	104	C1556A, DDS.....	56
C1111J, MO.....	48	C1307A, ScanJet	104	C1556B, 24GB DDS3.....	56
C1112F, MO.....	48	C1308A, ScanJet	104	C1559A, DDS.....	56
C1112G, MO.....	48	C1309A, ScanJet	104	C1559B, 24x6GB DDS3.....	56
C1112H, MO.....	48	C1310A, ScanJet	104	C1560B, DDS.....	56
C1113J, MO.....	48	C1405B, Keyboard	81	C1561A, DDS.....	56
C1114F, MO.....	48	C1408A, Keyboard	81	C1562B, DDS.....	56
C1114G, MO.....	48	C1413A, Mouse	81	C1565A, DDS.....	56

Products by HP CPL/PPL Product/Part Ordering Number

C1567A/B, DDS	56	C1716F, MO	51	C2213A, CD-ROM	44
C1568A/B, DDS	56	C1718C, MO	51	C2213A, Hard Disk	31
C1569A/B, DDS	56	C1718CA, MO	51	C2213A, MO	51
C1574A, SCSI	131	C1718T, MO	51	C2213D, Hard Disk	31
C1578A, SCSI	142	C1740A, FAX	147	C2214, DDS	56
C1579A, DLT	56	C1742A, FAX Adaptor	105	C2214B, Hard Disk	31
C1590A, DDS	56	C1750A, ScanJet	105	C2216/17T, Storage	32, 33
C1595A/B/C DDS2	56	C1752A, SCSI	131	C2216T, DDS	57
C1596A/B/C DDS2	56	C1757A, ScanJet	105	C2216T, Hard Disk	31
C1597A/B/C DDS2	56	C1788A, ScanJet	105	C2217T, DDS	57
C1598A/B/C DDS2	56	C1788BA, ScanJet	105	C2217T, Hard Disk	31
C1600A, Plotter	104	C1790A, ScanJet	105	C222xA/B, Hard Disk	31
C1601A, Plotter	104	C1797A/B, ScanJet	105	C2220...29M, Disk Upgrades	31
C1602A, PaintJet	86, 104	C1799A/B, ScanJet	105	C2224A, DDS	56
C1608A, HP-GL/2 ROM	104	C2001A, LaserJet	87, 105	C2224B/C/M, DDS	56
C1620A, Printer	104	C2003A, LaserJet	87, 105	C2225A, DDS	57
C1622A, PaintWriter	86	C2005A, LaserJet	87, 105	C2235, OEM Hard Disk	31
C1625A, Printer	104	C2007A, LaserJet	87, 105	C2247, OEM Hard Disk	31
C1627A, Printer	105	C2010A, LaserJet	87, 106	C2249M, Hard Disk	31
C1629A, Printer	104	C2011A, Printer	87, 106	C2251...59, Storage	31
C1631A, Printer	105	C2013A, PostScript	87, 106	C226xA, Storage	56
C1633A/B, DesignJet	105	C2015A, LaserJet	87, 106	C226xA/E/M, Storage	56, 57
C1642A, MIO	86, 105	C2021A, LaserJet	88, 106	C2260...69A, Disk Towers	31
C1645A, PaintJet	86, 105	C2037A, LaserJet	88, 106	C2261A, Storage	32
C1651A, PostScript	105	C2039A, LaserJet	88, 106	C2269A, Storage	32
C1656A, PaintJet	87, 105	C2040A, LaserJet	88	C2269E/M, Storage	31, 32
C1676A, DeskJet	87, 105	C2049A, PostScript	87, 88, 105	C2281, Hard Disk	27
C1686A, DeskJet	87, 105	C2059T, JetDirect	88, 117	C2282, Hard Disk	27
C1700A, MO	49	C2071S, JetDirect	88, 117	C2286A, 720 SPU	15
C1700C, MO	49	C2071T, JetDirect	88, 117	C2290A, Hard Disk	32
C1700M, MO	49	C2080A, PostScript	87, 88, 105, 106	C2290D, Hard Disk	32
C1700T, MO	49	C2088A, PCL ROM	88, 105	C2291A, Hard Disk	32
C1701A, MO	50	C2089A, PostScript	88, 106	C2291D, Hard Disk	32
C1701C, MO	50	C2106A, DeskJet	88, 106	C2292A, DDS	57
C1701M, MO	50	C2113A, DeskWriter	88	C2293A, CD-ROM	44
C1703A, MO	50	C2114A, DeskJet	106	C2293T, CD-ROM	44
C1704A, MO	50	C2114A, Printer	88	C2293U, CD-ROM	44
C1704C, MO	50	C2121A, DeskJet	88	C2294A, MO	51
C1704M, MO	50	C2121A, Printer	106	C2294T, MO	51
C1704T, MO	50	C2124A, DeskWriter	88	C2295B, Hard Disk	32
C1705A, MO	50	C2127A, DeskJet	88	C2296D, QIC	57
C1705C, MO	50	C2128A, DeskWriter	88	C2297T, DDS	57
C1705M, MO	50	C2145A, DeskJet	88, 106	C2297U, DDS	57
C1705T, MO	50	C2164A, DeskJet	88	C2298A, DDS	57
C1707A, CD-ROM	44	C2165A, DeskWriter	88	C2298T, DDS	57
C1708C, MO	50	C2168A, Printer	88	C2298U, DDS	57
C1708T, MO	50	C2169A, DeskWriter	88	C2300-60005, Cable	68, 71
C1710A, MO	50	C2170A, DeskJet	88, 106	C2301, Xterm	73
C1710C, MO	50	C2171A, DeskWriter	88	C2301A/B, Xterm	106
C1710M, MO	50	C2184A, DeskJet	89	C2302A, Xterm	73, 106
C1711C, MO	50	C2185A, DeskWriter	89	C2303, Xterm	73
C1713C, MO	50	C2200A, Hard Disk	31	C2303A/B, Xterm	106
C1713M, MO	50	C2202A, Hard Disk	31	C2304, Xterm	73
C1714C, MO	51	C2203A, Hard Disk	31	C2304A/B, Xterm	106
C1714M, MO	51	C2212, DDS	56	C2305, Xterm	73
C1714T, MO	51	C2212A, CD-ROM	44	C2305A/B, Xterm	106
C1715C, MO	51	C2212A, Hard Disk	31	C2307B, Xterm	73, 106
C1715M, MO	51	C2212A, MO	51	C2310A, Software	74
C1715T, MO	51	C2212D, Hard Disk	31	C2354A, Printer	89, 106
C1716C, MO	51	C2213, DDS	56	C2356A, Printer	89, 106

Products by HP CPL/PPL Product/Part Ordering Number

C2425JK, Array.....	32	C259xA, Software.....	51	C2865A, PostScript ..	89, 91, 92, 105, 110
C2427JK, Array.....	32	C2603A, DeskJet.....	89	C2882A, PostScript ..	108
C2430SC, Upgrade.....	139	C2605A, DeskJet.....	89	C2890A, OfficeJet.....	90
C2436HA, Array	32	C2608A, DeskJet.....	89	C2891A, OfficeJet.....	90
C2437HA, Array	32	C2613A, DeskJet.....	89	C2932A, Cable.....	83
C2437JZ, Array	32	C2614A, DeskJet.....	89	C2943A, CD-ROM	44
C2438A, Hard Disk	32	C2617A, DeskWriter.....	89	C2944A, CD-ROM	44
C2439HA, Array	32	C2618A, DeskJet.....	89	C2944D, CD-ROM.....	44
C2439JA, Array.....	32	C2620A, DeskJet.....	89	C2948A, CD-ROM	44
C2439JZ, Array	32	C2621A, DeskJet.....	89	C2954A, DDS.....	57
C2440HA, Array	32	C2633A, DeskWriter.....	89	C2954B, DDS.....	57
C2440JA, Array.....	32	C2634A, DeskJet.....	89	C2954D, DDS	57
C2440JZ, Array.....	32	C2636A, DeskWriter.....	89	C2963A, Hard Disk	33
C2451...53M, Hard Disks	32	C2637A, DeskJet.....	89	C2963D, Hard Disk	33
C2455A, 720 SPU.....	15	C2642A, DeskJet.....	89	C2964A, Hard Disk	33
C246xF/R, Storage.....	32	C2643A, DeskJet.....	89	C2964D, Hard Disk	33
C2460...63F/R, Storage	32	C2644A, DeskJet.....	89	C2966A, Hard Disk	33
C2463F/R, DDS.....	57	C2655A, DeskJet.....	89	C2966D, Hard Disk	33
C2464F/R, DDS.....	57	C2666A, DeskJet.....	89	C2967A, Hard Disk	33
C2465F/R, DDS.....	57	C2670A, DeskJet 1000Cse	89	C2967D, Hard Disk	33
C2466F/R/RZ, DDS.....	57	C2673A, DeskJet 1000Cxi.....	89	C2970A, PrinterPal	118
C2467F/R, DDS	57	C2675A, DeskJet 1100.....	89	C2971A, PrinterPal	118
C2470...74S, Hard Disks	32	C2678A, DeskJet.....	89	C2977B, Rack.....	148
C2472...76F/R, Storage Upgrades.....	32	C2679A, DeskJet.....	89	C2983A, DDS.....	57
C2472J, Hard Disk	32	C2680A, DeskJet.....	89	C2983D, DDS	57
C2473T, Hard Disk.....	32	C2681A, DeskJet.....	89	C2984A, DDS.....	57
C2474J, Hard Disk	32	C2701, Xterm.....	73	C2987A, CD Tower	44
C2474T, Hard Disk.....	33	C2701A/B, Xterm	107	C2988A, CD Tower	44
C2475F/R, DDS.....	57	C2702, Xterm.....	73	C2989A, CD-ROM, 12x	44
C2477U, DDS	57	C2702A/B, Xterm	107	C2995A, Hard Disk	33
C2478S, DDS.....	57	C2704A, Xterm.....	73, 107	C2996A, Hard Disk	33
C2478U, DDS.....	57	C2705A, Xterm.....	73, 107	C2997A, CD-ROM, 20x.....	44
C2481A, Storage.....	33	C2706A, Xterm	73, 107	C3010, Hard Disk.....	27
C2482A, Storage.....	33	C2709A, Xterm.....	73, 107	C3020...24R/T, Hard Disk	34
C2490, Hard Disk	27	C2711A, Xterm	73, 107	C3020R, Hard Disk	33
C2491A, Hard Disk	33	C2716A, Software	74	C3020T, Hard Disk	33
C2492A, Hard Disk	33	C2730A, Xterm.....	107	C3020-24, Storage.....	57
C2500A, ScanJet.....	106	C2730A, X-Terminal	73	C3021R, Hard Disk	33
C2500B, ScanJet.....	106	C2731A, Xterm	73, 107	C3021T, Hard Disk	33
C2502A/B, SCSI.....	131	C2732A, Xterm	73	C3022R, Hard Disk	33
C2505B, ScanJet.....	106	C2737A/B, Local Kit	81	C3022T, Hard Disk	33
C2507A/B, ScanJet.....	106	C2738A, Local Kit	81	C3023R, Hard Disk	33
C2514B/D, ScanJet.....	107	C2739A, Keyboard	81	C3023T, Hard Disk	34
C2516B, ScanJet.....	107	C2740A, Keyboard	81	C3024R, Hard Disk	34
C2520A, ScanJet.....	107	C2746A, Monitor.....	69	C3024T, Hard Disk	34
C2520B, ScanJet.....	107	C2753A, Printer.....	89	C3027U, Hard Disk	34
C2520C, ScanJet.....	107	C2754A, Printer.....	89	C3028U, Hard Disk	34
C2527A, ScanJet.....	107	C2755A, Printer.....	89	C3030R, Storage	34
C2527B/C, ScanJet.....	107	C2756A/B, Printer.....	89	C3031R, Storage	34
C2527D, ScanJet	107	C2772A, Printer.....	89	C3032T, Storage.....	34
C2528A, ScanJet.....	107	C2773A, Printer.....	89	C3033T, Storage.....	34
C2528B, ScanJet.....	107	C2776A, Printer.....	89	C3034...36T, Storage.....	34
C2529A, ScanJet.....	107	C2777A, Printer.....	89	C3034T, Hard Disk	34
C2529B, ScanJet.....	107	C2777A, ScanJet	107	C3035T, Hard Disk	34
C2550A, MO	51	C2786A, Rack	148	C3036T, Hard Disk	34
C2550B, MO	51	C2807A, CD	44	C3037U, Hard Disk	34
C2550C, MO	51	C2847A, DesignJet	107	C3038U, Hard Disk	34
C2550T, MO	51	C2848A, DesignJet	108	C3040R, Hard Disk	34
C2572A, ScanJet.....	107	C2858A/B, DesignJet	108	C3040T, Hard Disk	34
C258xA, Software	51	C2859A/B, DesignJet	108	C3041R, Hard Disk	34

Products by HP CPL/PPL Product/Part Ordering Number

C3041T, Hard Disk.....	34	C3323A, OEM Hard Disk	34	C3948A, LaserJet 3100	92
C3044U, Hard Disk	34	C3323D, OEM Hard Disk	34	C3952A, LaserJet.....	92
C3045T, Hard Disk.....	34	C3323SE, OEM Hard Disk	34	C3961A, LaserJet.....	92
C3049U, Hard Disk	34	C3324, Hard Disk	34	C3962A, LaserJet.....	92
C3054A, PCL ROM.....	89	C3325, Hard Disk	34	C3963A, PostScript	92
C3079A, LJ Companion.....	108	C3370A, Mouse	81	C3980A, LaserJet.....	92, 110
C3081A, LaserJet	90	C3373A, Mouse	81	C3982A, LaserJet.....	93, 111
C3081A, LaserJet 5se.....	90	C3483A, Monitor.....	69	C3987A, PostScript	92, 94, 110, 111
C3081A, LaserJet+Scanner.....	90	C3486A, Monitor.....	69	C3989A, Scanner	111
C3091A, LaserJet 6P/EX.....	90, 108	C3487A, Monitor.....	69	C3990A, LaserJet.....	93
C3094A, LaserJet 4000se.....	90	C3540A, DeskJet.....	91, 110	C3994A, LaserJet.....	93
C3100A, LaserJet	90, 108	C3540J/N, DeskJet.....	91, 110	C3996A, LaserJet.....	93
C3112A, PostScript.....	90, 108	C3541A, DeskJet.....	92, 110	C3998A, LaserJet+Scanner	93
C3124A, LaserJet 5siHM	90	C3545A, PostScript.....	108	C4000A, Printer	93
C3134A, LaserJet	90	C3550R, Hard Disk	34	C4001A, Printer	93
C3141A, LaserJet	90, 108	C3550T, Hard Disk	34	C4002A, Printer	93
C3142A, LaserJet	90, 108	C3551R/RZ, Hard Disk	34	C4003A, Printer	93
C3150A, LaserJet	90, 108	C3551T, Hard Disk	34	C4076A, Mopier	93, 111
C3152A, PostScript.....	90	C3553R, Hard Disk	35	C4077A, Mopier	93, 111
C3155A, LaserJet	90	C3554U, Hard Disk.....	35	C4085A, Printer	93, 111
C3159A, PostScript.....	90, 108	C3555T, Storage.....	35	C4086A, Printer	93, 111
C3166A, LaserJet	91	C3556U, DDS.....	57	C4106A, Scanner	111
C3166A, LaserJet 5si.....	90, 94	C3559U, Hard Disk	35	C4109A, Ser/Par converter.....	147
C3167A, LaserJet	91	C3560U, CD-ROM.....	44	C4110A, LaserJet 5000	93
C3169A, PostScript.....	91	C3578A, AutoRAID.....	35	C4111A, LaserJet 5000N	93
C3170A, DraftPro.....	108	C3579A, AutoRAID.....	35	C4112A, LaserJet 5000GN	94
C3171A, DraftPro	109	C3601B, Storage.....	35	C4118A, LaserJet 4000	94
C3180A, DesignJet.....	109	C3602B, Storage.....	35	C4119A, LaserJet 4000T.....	94
C3181A, DesignJet	109	C3605A, SCSI	131	C4120A, LaserJet 4000N	94
C3187A, DesignJet	109	C3609A, SCSI	131	C4121, LaserJet 4000TN	94
C3188A, DesignJet.....	109	C3610A, SCSI	142	C4175A, LaserJet 3100	94
C3190A, DesignJet.....	109	C3660R, Storage.....	35	C4176A, Mopier	93, 111
C3191A, DesignJet.....	109	C3660T, Storage.....	35	C4177A, LaserJet 3100.....	94
C3195A, DesignJet.....	91, 109	C3661U, Hard Disk	35	C4212A, LaserJet.....	94, 111
C3196A, DesignJet.....	91, 109	C3662R, Hard Disk	35	C4213A, LaserJet.....	94, 111
C3198A/B, DesignJet	91, 110	C3662T, Storage	35	C4228A, Mopier	94
C3199A, PostScript.....	109	C3663U, Storage	35	C4275A/B, PowerWise.....	149
C3201A, Printer	91	C3682A, Hard Disk	35	C4276A/B, PowerWise.....	149
C3202A, Printer	91	C3684A, Hard Disk	35	C4277A/B, PowerWise.....	149
C3203A, Printer.....	91	C3724D, OEM Hard Disk	35	C4278A/B, PowerWise.....	149
C3204A, Printer.....	91	C3724S/SC, OEM Hard Disk.....	35	C4310A, CD-ROM	44
C3205A, Printer.....	91	C3724T/TC, OEM Hard Disk	35	C4311A, CD-ROM	44
C3226A, Xterm	73, 110	C3724W/WC, OEM Hard Disk	35	C4316A, SCSI box.....	147
C3229A, Keyboard	81	C3725D, OEM Hard Disk	35	C4317A, Rack, 2U.....	148
C3230A, Xterm	73, 110	C3725S/SC, OEM Hard Disk.....	35	C4317RZ #101, CD.....	44
C3231A, Xterm	73, 110	C3725T/TC, OEM Hard Disk	35	C4317RZ #102, DAT	57
C3232A, Xterm	73, 110	C3725W/WC, OEM Hard Disk	35	C4317RZ #103, DAT	58
C3233A, Xterm	73, 110	C3751A, Mouse	82	C4318A, DLT7000	58
C3234A, Xterm	73, 110	C3753,54,56A, Keyboard.....	82	C4318A, Rack, 3U.....	148
C3235A, Xterm	73, 110	C3758A, Keyboard.....	82	C4318RZ #104	58
C3241A, Keyboard	81	C3791A, DesignJet.....	110	C4318RZ #107, DLT.....	58
C3247A, Xterm	73	C3792A, DesignJet.....	110	C4320, TR-1	58
C325x, Xterm.....	73	C3804A, PhotoSmart printer	110	C4322A, TR-4	58
C3253A, Xterm	110	C3817A, CopyJet.....	92	C4324A, CDR	45
C3253A, X-Terminal.....	73	C3819A, CopyJet.....	92	C4325A, CDR	45
C3262A, Xterm	74	C3916A, LaserJet	92	C4326A/R, TR-1.....	58
C3264A, Xterm	74	C3917A, LaserJet	92	C4327A, TR-4	58
C3302A, Patch	39	C3918A, PostScript.....	90, 92	C4328C, QIC-80.....	58
C3304'06A, Hard Disk	34	C3941A, Printer.....	92	C4329C, TR-1	58
C3310A...21A, Storage	34	C3941B/C, LaserJet	92	C4330C/D, QIC-3020.....	58

Products by HP CPL/PPL Product/Part Ordering Number

C4331C, QIC-80.....	58	C4708A, DesignJet.....	95, 112	C5261U, Storage.....	36
C4341, TR-3.....	58	C4708B, DesignJet.....	112	C5262R, Storage.....	36
C4343A, CDR.....	45	C4709A, DesignJet.....	95, 112	C5262T, Storage.....	36
C4345A, CDR.....	45	C4709B, DesignJet.....	112	C5263U, Hard Disk.....	36
C4353A, CD-RW 7100i.....	45	C4713A, DesignJet.....	96, 112	C5264R, Hard Disk.....	36
C4354A, Tape.....	58	C4714A, DesignJet 430.....	112	C5264T, Hard Disk.....	36
C4355A, Tape.....	58	C4715A, DesignJet.....	96, 112	C5266U, Hard Disk.....	37
C4358A, CD-RW 7100e.....	45	C4716A, DesignJet 450.....	112	C5300A, OfficeJet.....	96, 113
C4361A, Tape.....	58	C4723, DesignJet 3000CP.....	96, 112	C5301A, OfficeJet.....	96
C4362A, Tape.....	58	C4724A, DesignJet 3500CP.....	96, 112	C5302A, copier.....	113
C4365A, CD-RW 7110i.....	45	C4725A, Keyboard.....	82	C5303A, copier.....	113
C4366A, CD-RW 7110e.....	45	C4775A/B, PowerWise.....	149	C5305A, copier.....	113
C4374A, Tape Bundle.....	58	C4776A/B, PowerWise.....	149	C5313A, OfficeJet.....	96
C4380A, CD-RW.....	45	C4777A/B, PowerWise.....	149	C5314A, OfficeJet.....	96
C4381A, CD-RW.....	45	C4778A/B, PowerWise.....	149	C5315A, OfficeJet.....	96
C4386A.....	58	C5100A, PhotoSmart scanner.....	112	C5317A, OfficeJet.....	96
C4388A.....	58	C5116A, ScanJet.....	112	C5324A, hydra.....	96
C4520A, SNMP.....	149	C5117A, ScanJet.....	112	C5325A, hydra.....	96
C4530A, Printer.....	94	C5119A, ScanJet.....	112	C5326A, hydra.....	96
C4531A, DeskJet.....	94	C5150F, DLT 4115e.....	58	C5340A, PhotoSmart camera.....	113
C4547A, DeskJet.....	94	C5151F, DLT 4115r.....	58	C5352A, copier.....	113
C4548A, DeskJet.....	94	C5152F, DLT 4215e.....	58	C5353A, copier.....	113
C4551A, Printer.....	94	C5153F, DLT 4215r.....	58	C5364A, OfficeJet.....	96
C4555A, DeskJet.....	94	C5160A, ScanJet.....	113	C5365A, OfficeJet.....	96
C4562A-F/K, DeskJet.....	94	C5167A, ScanJet.....	113	C5366A, OfficeJet.....	96
C4562B, DeskJet.....	94	C5170, DLT.....	59	C5367A, OfficeJet.....	96
C4562C, DeskJet.....	95	C5170J, DLT.....	59	C5368A, OfficeJet.....	96
C4562E, DeskJet.....	95	C5171F, DLT.....	59	C5369A, OfficeJet.....	96
C4565A, Printer.....	95	C5171J, DLT.....	59	C5370A, copier.....	113
C4568A, DeskJet.....	95	C5172F, DLT.....	59	C5371A, copier.....	113
C4575A, DeskJet.....	95	C5172J, DLT.....	59	C5372A, copier.....	113
C4576A, DeskJet.....	95	C5173F, DLT.....	59	C5373A, copier.....	113
C4582A-F, DeskJet.....	95	C5173J, DLT.....	59	C5384A, camera.....	113
C4587A, DeskWriter.....	95	C5175F, DLT.....	59	C5418A, SpaceMouse.....	82
C4589A, DeskJet.....	95	C5175J, DLT.....	59	C5517A, AutoRAID.....	37
C4591A, DeskJet.....	95	C5176J, DLT.....	59	C5518A, AutoRAID.....	37
C4608A, DeskJet.....	95	C5177F, DLT.....	59	C5539A, Hard Disk.....	37
C4620A, SNMP.....	149	C5177J, DLT.....	59	C5620A/B, Printer.....	96
C4641A, OfficeJet.....	95, 111	C5190A, ScanJet.....	113	C5630A, PostScript.....	96
C4642A, OfficeJet.....	95, 111	C5192A, ScanJet.....	113	C5640B, Printer.....	96
C4643A, OfficeJet.....	95, 111	C5193A, ScanJet.....	113	C5644A, TR-4.....	59
C4644A, OfficeJet.....	95	C5197A, ScanJet.....	113	C5644B, TR-4.....	59
C4645A, OfficeJet.....	95, 111	C5200A, Netstation.....	74	C5645A, TR-4.....	59
C4661A, OfficeJet.....	95	C5201A, Netstation.....	74	C5647A, DLT.....	59
C4662A, OfficeJet.....	95	C5202A, Netstation.....	74	C5653A, DDS.....	59
C4663A, OfficeJet.....	95	C5203A, Netstation.....	74	C5658A, DLT70e.....	59
C4672A, Printer.....	95	C5205A, Floppy.....	41	C5677A, DAT24.....	59
C4673A, Printer.....	95	C5207A, PCI 10BaseT.....	142	C5850A, Netstation.....	74
C4692A, SNMP.....	149	C5209A, PCI 100BaseT.....	142	C5851A, Netstation.....	74
C4699A, DesignJet.....	95, 111	C5211A/B, Monitor.....	69	C5870A, DeskJet 720C.....	96
C4700A, DesignJet.....	95, 111	C5225B, PowerWise.....	149	C5871A, DeskJet 722.....	96
C4701A, DesignJet.....	95, 111	C5254R, Storage.....	35	C5876A, DeskJet 890.....	97
C4702A, DesignJet.....	95, 111	C5254T, Storage.....	36	C5876A, DeskJet 890C.....	96
C4703A, DesignJet.....	95, 112	C5255R, Storage.....	36	C5884A/A-F, DeskJet.....	96
C4704A, DesignJet.....	95, 112	C5255T, Storage.....	36	C5885A, DeskJet.....	96
C4705A, DesignJet.....	95, 112	C5257U, Storage.....	36	C5886A, DeskJet.....	97
C4705B, DesignJet.....	112	C5258R, Storage.....	36	C5887A, DeskJet 870TV.....	97
C4706A, DesignJet.....	95, 112	C5258T, Storage.....	36	C5890C, DeskJet 690.....	97
C4706B, DesignJet.....	112	C5259R, Storage.....	36	C5900A, Printer.....	97
C4707A, PostScript.....	95, 112	C5259T, Storage.....	36	C5901A, Printer.....	97

Products by HP CPL/PPL Product/Part Ordering Number

C5944A, DeskJet 890	97	D1677A, ESDI.....	132	D3582, Hard Disk	28
C6080A, DesignJet 455CA.....	97	D168xA, Hard Disk.....	27	D3583, Hard Disk	28
C6081A, DesignJet 455CA.....	97	D1681A, SCSI	132	D3604A, Storage	37
C6212A, Rack, 1.6m	148	D1682A, SCSI	132	D3848A, Monitor	70
C6267A, ScanJet 6100C.....	113	D2034A, QIC-525.....	60	D3857A, Monitor	71
C6269A, ScanJet 6100C.....	113	D2035A, Floppy	41	D3858A, Monitor	71
C6280F, DLT	59	D2036A, Floppy	41	D3861A, Monitor	71
C6360A, External DAT	59	D2040A, Mux	132	D4179A, Media Kit.....	45
C6362A, External DAT	59	D2045A, QIC-40.....	60	D4289A, Hard Disk.....	28
C6363A, Rack DAT	59	D2075, Hard Disk.....	27	D4381A, CD-ROM.....	45
C6364A, External DAT	60	D2076, Hard Disk.....	27	D4383A, CD-ROM.....	45
C6365A, Rack DAT	60	D2077A, Hard Disk.....	28	D4384A, CD-ROM.....	45
C6366A, DAT Autoloader.....	60	D2078A/B, SCSI	132	D4390A, ZIP	41
C6367A, DAT Autoloader.....	60	D2325A, UVGA	132	D4884B, 2GB HDD	28
C6374A, DLT7000.....	60	D2378A, 802.5.....	132	D4902A, HDD Rack.....	37
C6375A, DLT7000.....	60	D2382A, SVGA	132	D4903A, 4GB HDD	28
C6380A, DLT4000.....	60	D2410A, AID.....	132	D4910A, 4GB HDD	28
C6382A, DLT4000.....	60	D2645A, Hard Disk	28	D4911A, 9.1 GB HDD	28
C6383A, DLT4000.....	60	D2649A, SCSI	132	D4943A, SCSI	142
C6384A, Hard Disk	37	D2653A, Hard Disk.....	28	D4956A, HDD Tray.....	28
C6386A, Hard Disk	37	D2769A, Hard Disk.....	28	D4963A, 4.2GB HDD	28
C6387A, Hard Disk	37	D2788A, 2.1 GB HDD	28	D4990A, SCSI Extender.....	147
C6388A, Hard Disk	37	D2794A, 4.5 GB HDD	28	D4992A, PCI RAID	142
C6389A, 4GB HDD	37	D2797A, Hard Disk.....	28	D5013A, PCI LAN	142
C6390A, Hard Disk	37	D2800A, Monitor.....	70	D5025A, PCI uwsSCSI	142
C6391A, Hard Disk	37	D2801A/B, Monitor.....	70	D5039A, 18GB HDD	28
C6392A, Hard Disk	37	D2802A, Monitor.....	70	D5060A, Monitor	71
C6393A, Hard Disk	37	D2803A, Monitor.....	70	D5182A, ISA Audio.....	132
C6394A, Hard Disk	37	D2804A, Monitor.....	70	D5368, 4.5 GB HDD.....	28
C6395A, 9 GB HDD	37	D2805A/B, Monitor.....	70	D5429A, PCI 10BaseT	142
C6396A, Hard Disk	37	D2806A/B, Monitor.....	70	D5430A, 5@ PCI LAN	142
C6397A, Hard Disk	37	D2807A/B, Monitor.....	70	D5481A, 4.5 GB HDD	28
C6512A, CD-ROM.....	45	D2808A/S, Monitor	70	D5955A, PCI RAID	142
C6513A, DDS3	60	D2811A, Monitor.....	70	D5957A, SCSI Term.....	147
C6514A, DLT4000.....	60	D2813A/S, Monitor	70	D6019A, 9 GB HDD	28
C6515A, DLT4000.....	60	D2814A, Monitor.....	70	D6104A, 4 GB HDD	28
C6516A, 4GB HDD	37	D2815A, Monitor.....	70	D6106A, 9 GB HDD	28
C6517A, 9GB HDD.....	37	D2818A, Monitor.....	70	D6107A, 9 GB HDD	28
D		D2819A, Monitor.....	70	D6108A, 18 GB HDD	28
DJ-10, QIC-40.....	60	D2821A, monitor.....	70	D6500A, PCI LAN	142
DJ-20, QIC-80.....	60	D2825A/S, Monitor	70	D6507A, PCI LAN	142
DJ25x, QIC-3010.....	60	D2826A, monitor.....	70	D6650A, ZIP	41
DJ35x, QIC-80XL.....	60	D2830A, Monitor.....	70	E	
DJ50, QIC-3020.....	60	D2831A, Monitor.....	70	E1016A, Barcode.....	82
DLT4000S, Tape	60	D2835A, Monitor.....	70	E1300A, VXI Cage.....	128
D1171A, HP-HIL.....	131	D2836A, Monitor.....	70	E1301A, VXI Cage.....	128
D1180A, VGA	131	D2837A, Monitor.....	70	E1302A, VXI Cage.....	128
D1182A/B, Monitor	69	D2837S, Monitor.....	70	E1306A, HP-IB	145
D1187A, Monitor	69	D2838A, monitor.....	70	E1324A, RS232C	145
D1188A, Monitor.....	69	D2840A, Monitor.....	70	E1401A, VXI Cage.....	128
D1191B, Cable	68, 84	D2843A, Monitor.....	70	E1401T, VXI Cage.....	128
D1192A/B, Monitor	69	D2845A, Monitor.....	70	E1406A, HP-IB	145
D1193A, Monitor.....	69	D2881A, Floppy	41	E1421A, VXI Cage.....	128
D1194A, Monitor.....	69	D2886, CD-ROM.....	45	E1482B, Extender	145
D1195A, Monitor.....	69	D2896A, CD-ROM	45	E1483A, VXIlink.....	132
D1196A, Monitor.....	69	D2941A, CD-ROM	45	E1488A, RAM	145
D1197A, Monitor.....	69	D2992, CD-ROM.....	45	E1489C, MXI	132
D1198A, Monitor.....	69	D3340A, Hard Disk	28	E1489I/B, MXI.....	132
D1199A, Monitor.....	70	D3341A, Hard Disk	28	E1497A, SPU	15
D1667A, Floppy.....	41	D3581A, Hard Disk	28	E1498A, 743 SPU	15

Products by HP CPL/PPL Product/Part Ordering Number

E1562, Storage	28	J	J2482A, Mux.....	132
E1562A, DDS	60	JT20x, QIC-80.....	J2483A, Mux.....	133
E1572B, Software	152	JT25x, QIC-3010.....	J2496, DTC 16RX.....	118
E1582B, Software	152	JT35x, QIC-80XL.....	J2498A, ATM.....	118, 135, 138
E2019C, Software	152	J1460A, Switch.....	J2499A, GSC ATM.....	138
E2050A, Converter118, 129, 131, 145, 147		J1493/97A, Switch.....	J2540A/B, Router.....	119
E2070, HP-IB	25, 52, 131	J1493A, Switch.....	J2543A, Router.....	119
E2070A/B, HP-IB.....	132, 145	J1497A, Switch.....	J2550A, JetDirect.....	97, 119
E2070C, HP-IB.....	132	J1500A, rack.....	J2552A, JetDirect.....	97, 119
E2071, HP-IB.....	25	J1501A, rack.....	J2555A, JetDirect.....	97, 119
E2071A, HP-IB.....	52, 131, 145	J1502A, rack.....	J2556B, MIO 100BT.....	97
E2071A/B/C, HP-IB.....	132	J2060A/AZ, DTC.....	J2559A-E, JetAdmin.....	152
E2074A, GPIO.....	131, 145	J2062A/AZ, DTC.....	J2573A, 100VG.....	133
E2074A/B, GPIO.....	132	J2063A/AZ, DTC.....	J2577A, 100VG.....	133
E2075A, GPIO.....	132	J2064A/AZ, DTC.....	J2585A, DeskDirect.....	142
E2091D, SICL.....	131	J2069A, HIPPI.....	J2585B, DeskDirect.....	142
E2091D, Software	152	J2070A/AZ, DTC.....	J2591A, JetDirect.....	97, 119
E2091E, Software	152	J2085A, Cable.....	J2592A, JetDirect.....	97
E2251A, VXI.....	145	J2092A, Mux.....	J2593A, JetDirect.....	97, 119
E2749A, VXI FC.....	145	J2093A, Mux.....	J2594A, JetDirect.....	97, 119
E2777A, FDDI.....	132	J2094A, Mux.....	J2600A, Hub.....	119
E2790A, GPIO.....	132	J2096A, Mux.....	J2601A/B, Hub.....	119
E2910A, PCI Test.....	128	J2102A, ISDN.....	J2602A, Hub.....	119
E3249A, Storage.....	28	J2104A, ISDN.....	J2603B, SMNP.....	119
E3660A, Rack.....	148	J2109A, ISDN.....	J2603B, SNMP.....	119
E3661A, Rack.....	148	J2146A, LAN.....	J2610A/B, Hub.....	119
E3662A, Rack.....	148	J2156A, FDDI.....	J2611B, Hub.....	119
E3905A, Rack.....	148	J2157A, FDDI.....	J2612A, SNMP.....	119
E4005A, 725 SPU.....	15	J2159A, X.25.....	J2615A, LAN.....	133
E4005B, 725 SPU.....	15	J2165A, 802.5.....	J2628A, Router.....	119
E4005C, 725 SPU.....	15	J2166A, 802.5.....	J2630A, Hub.....	119
E4007A, 712 SPU.....	15	J2220B, EISA PSI.....	J2631A/B, Hub.....	119
E4007B, 712 SPU.....	15	J2220B, NIO PSI.....	J2632A/B, Hub.....	119
E4157A, Printer.....	97	J2226A, SNA.....	J2645AA, 100VG.....	119, 133, 138
E4208, Storage.....	28	J2226A, SNAplus.....	J2655AA, 100VG s/w.....	131, 133
E4208C, VXI HDD/FDD.....	28	J2260A, 802.3.....	J2792A, PSI.....	139
E4220A, VXI Cage.....	128	J2261A, 802.5.....	J2794A, X.25.....	119, 133
E5920A, Rack.....	148	J2317A, Software.....	J2802A, ATM.....	133
E8401A, VXI.....	128	J2340A, JetDirect.....	J2802A/B, ATM.....	119
E8402A, VXI.....	128	J2355A, JetDirect.....	J2802B, ATM.....	133
E8491A, VXI-1394.....	142, 145	J2371A, JetDirect.....	J2803A, ATM.....	138
F		J2372A, JetDirect.....	J2803A/B, ATM.....	119
FC20, QIC i/f.....	132	J2373A, JetDirect.....	J2803B, ATM.....	135, 138
G		J2374A/B/C, JetAdmin.....	J2804A, ATM.....	139
GSMCS20A, UPS.....	149	J2382A, JetDirect.....	J2815A, PSI.....	133
GSMCS30A, UPS.....	149	J2382B, JetDirect.....	J2970A, DeskDirect.....	142
GSMC115C, UPS.....	149	J2383A, JetDirect.....	J2973A, DeskDirect.....	142
GSMC310B, UPS.....	149	J2383B, JetDirect.....	J2980A, Switch.....	119
GSMC310C, UPS.....	149	J2405A, LAN.....	J3100A/B, Switch.....	119
GSMC317B, UPS.....	149	J2410A, Hub.....	J3101A, Switch.....	119
GSMEV05A, UPS.....	149	J2413A, Hub.....	J3110A, EIO.....	97, 119
GSMEV08A, UPS.....	149	J2415A, Hub.....	J3111A, EIO.....	97, 119
GSMEV13A, UPS.....	149	J2418A, Switch.....	J3112A, EIO.....	97, 119
GSMEX15A/B, UPS.....	149	J2430A, Router.....	J3113A, EIO.....	97, 119
GSMEX20A/B, UPS.....	149	J2458A, ISDN.....	J3125A, Switch.....	119
GSMEX30A/B, UPS.....	149	J2460A, ISDN.....	J3126A, Switch.....	119
GSMEX40A/B, UPS.....	149	J2467A, Software.....	J3127A, Hub.....	119
G1480A, LAN.....	142	J2467B, Software.....	J3137A, Hub.....	120
G1482A, LAN.....	142	J2468A, ATM HSC.....	J3168A, CD-ROM Server.....	45
		J2469A, HSC ATM.....	J3169A, CD-ROM Server.....	45

Products by HP CPL/PPL Product/Part Ordering Number

J3171A, DeskDirect	142	K1432, Tablet	83, 116	MICHIL	75, 83
J3175A, Switch	120	K1434, Trackball	83, 116	Microsoft	
J3177A, Switch	120	K1435, Trackball	83, 116	Natural	82
J3188A, Hub	120	K1489, Modem	122	Parallax	
J3200A, Hub	120	K1492, Modem	122	XVideo700	135
J3202A, Hub	120	K1493, Modem	135	PC Video	
J3204A, Hub	120	K1494, Modem	122	HyperConverter1280	67
J3233A, Hub	120	K1496, Modem	135	Qualix	
J3234A, Hub	120	K1498, Modem	122	IW-H100-	135
J3235A, Hub	120	K1603, Printer	116	Quantum	
J3239A, ISA LAN	133	K1604, Printer	116	DLT 2000	62
J3242A, PCI LAN	142	K1605, Printer	116	DLT 2500	62
J3245A, Switch	120	K1606, Printer	116	DLT 2700	62
J3263A, JetDirect	97, 120	K1623, Parallel	135	DLT 4000	62
J3272A, Hub	120	K1626, Printer	99	DLT 4500	62
J3276A, CD tower	45	K1627, Printer	99	DLT 4700	62
J3277A, CD Tower	45	K1769, Switch	122	DLT4500	61
J3278A, CD Tower	45	K2132, Printer	99	Rose	
J3298A, Switch	120	K2292, Cable	147	SV Series	83, 148
J3299A, Switch	120	L		SBE	
J3300A, Hub	120	L1025A, QuickBurst	120	WSU-432D	135
J3301A, Hub	120	L1100A, OmniShare	120	WSU-432S	135
J3302A, Hub	120	L1200A, 743 SPU	15	SEJUS	
J3303A, Hub	120	L1210A, Xmit	145	99318A	29
J3420A, ATM	120, 138	L1220A, Receiver	145	Storage Tek	
J3457A, LanProbe	120	M		Redwood SD-3	62
J3514A, HSC 100T	138	MST63607, Mouse	82	9710 DLT	61
J3515A, HSC LAN	138	M1309A, Trackball	82, 113	TAMS	
J3516A, GSC LAN	138	N		4020, CD-ROM	45
J3525A, PCI Frame Relay	142	Non-HP		4260P	45
J3526A, PCI Frame Relay	142	AEON		50488	130
J3557A, PCI ATM/155	142	SD4	148	60488	143
J3573A, GSC ATM	138	APC		70622	143
J3575A, PCI ATM 622	142	APCC-1250UX	150	Toshiba	
J3591A, console	74	APCC-600UX	150	XM3201B, CD-ROM	45
J3593A, PCI Mux	142	Bit3		XM3301B, CD-ROM	45
J3629AA, FDDI License	137	2101	129, 143	O	
J3701AA, FDDI License	137	487-1	135	Option	
J4101A, JetDirect	97	Black Box		ABA, U.S.	80
J4110A, switch	120	SW700	83	ABC, Canada	80
J4120A, switch	120	BlackBox		ABD, Germany	80
J4121A, switch	120	SW700	148	ABE, Spain	80
J4122A, switch	120	Deltec		ABF, France	80
K		DELT-202x	150	ABG, Australia	80
KIT-CENT-CP, Interface	116	DELT-203x	150	ABH, Netherlands	80
K1015, Cable	147	Essential		ABJ, Kana	80
K1094, LAN	134	EC-340-SF	138	ABK, Intercon	80
K1095, Repeater	122	Interphase		ABM, Latin Amer	80
K1096, Repeater	122	WA-C321T-UX	135	ABN, Norway	80
K1097, Repeater	122	WA-C323T-UX	135	ABP, Swiss-German	80
K1098, Repeater	122	WA-C326T-UX	135	ABQ, Swiss-Fr	80
K1112, MAU	122	WA-C328T-UX	135	ABS, Sweden	80
K1115, MAU	122	4811	123, 135	ABU, U.K.	80
K1116, MAU	122	4824	135	ABX, Finland	80
K1117, MAU	122	ITAC		ABY, Denmark	80
K1118, MAU	122	BHPSER	83	ABZ, Italy	80
K1388, Dials	83, 116	BHPSID	83	ABO, ROC	80
K1410, Mouse	83, 116	BMPIND	83	AB1, Korea	80
K1422, SpaceBall	83, 116	B5XXMP	83	AB2, PRC	80
K1424, Tablet	83, 116	M.I.C.		ADJ, Monitor	18

Products by HP CPL/PPL Product/Part Ordering Number

ADR, Monitor	18	AT7, Hard Disk	19	Z	
ADV, Monitor	18	AT8, Hard Disk	19	Z1100A, Video	133
AKX, Belgium	80	AT9, Hard Disk	19	Z4702A, ACC	133
ALD, EISA Slot	18	UFB, RAM	19	Z5117A, PCMCIA	138
ALE, ndsSCSI	18	UFD, RAM	19	Z5177A, Adaptor	129
ALF, HP-IB	18	UFE, RAM	19	Z7048A, Dialogic	133
ALG, 802.3	18	UFK, RAM	19	Z7080A, TelePACE SPU	15
ALQ, FDDI	18	UFL, RAM	19	Z7126A, Datakit	139
AL4, ATR	18	UFM, RAM	19	Z7127A, Datakit	139
AL9, AUI Select	18	UFN, RAM	19	Z7200A, ACC	139
AMB, Floppy	18	UFS, RAM	19	Z7239A, ACC	139
AMG, Hard Disk	18	UFT, RAM	19	Z7240A, ACC	139
AMH, Hard Disk	18	UFU, RAM	19	Z7249A, ACC	139
AMK, Hard Disk	18	UFV, RAM	19	Z7250A, ACC	139
AMW, DDS	18	UFW, RAM	19	Z7300A, ACC	139
AMX, DDS	18	UGA, 2nd Serial	19	Z7301A, ACC	139
AMY, DDS	18	UGB, 2nd LAN	20	Z7302A, ACC	139
AMZ, DDS	18	UGC, X.25	20	Z7332A, PCI, E1/T1 ACC	142, 143
AM0, Hard Disk	18	UKA, CPU	20	Z7350A, ACC	139
AM7, DDS	18	0D1, Installation	18	Z7350A, NIO ACC	140
AM8, CD-ROM	18	011, Hard Disk	20	Z7351A, ACC	139
ANB, RAM	18	013, Hard Disk	20	Z7352A, ACC	139
ANC, RAM	18	072, fwdSCSI	20	Z7400A, ACC	133
AND, RAM	18	073, fnsSCSI	20	Z7401A, ACC	133
ANE, RAM	18	096, RAM	20	Z7600A, array	37
ANF, RAM	18	110, 4-slot EISA	20	Z7611A, Power	149
ANN, RAM	18	111, 4-slot PCI	20	Z7614A, Array	37
ANQ, RAM	18	112, RAM	20	Z7615A, Power	149
ANS, RAM	18	176, RAM	20	Z7655A, BSC SPU	15
ANW, RAM	18	201, Configuration	20	Z7718A, BSC SPU	15
ANX, RAM	18	202, Configuration	20	Z7749A, PCI LAN	143
ANY, RAM	18	203, Configuration	20	Numerics	
AN4, RAM	18	204, Configuration	20	2225A, ThinkJet	97
AN8, RAM	19	224, RAM	20	2225C/P, ThinkJet	97
AQA, CRX-48Z	19	352, RAM	20	2225D, ThinkJet	97
AQC, GRX	19	P		2227A, QuietJet	97
AQD, CRX-8	19	PD-60x, DDS	61	2227B, QuietJet	97
AQF, HCRX-8	19	PTE-25x, QIC-1000	61	2228A, QuietJet	97
AQG, HCRX-24	19	PTE-50x, QIC-1000	61	2235, RuggedWriter	98
AQH, HCRX-8Z	19	PT-10x, QIC-525	61	2276A, DeskJet	98, 113
AQJ, HCRX-24Z	19	PT25x, QIC-2GB	61	2277A, DeskJet	98
AQK, CRX-48Z	19	PT-50x, QIC-1000	61	2278A, DeskWriter	98
AQM, 2xCRX-8	19	Q		2279A, DeskWriter	98
AQP, Freedom i/f	19	QTM4500S, DLT	61	2334A, X.25	120
AQQ, TexMap	19	S		2335A, X.25	120
AQR, Video	19	SC-50, QIC i/f	133	2340A, Server	120, 123
AQ2, Monitor	19	STKS9710, DLT	61	2342A, TS	120
AQ3, Monitor	19	SureStore		2345A, DTC	120
AQ4, Monitor	19	1200ex	48	2345A, TS	123
AQ5, Monitor	19	S1010A, Monitor	71	2392A, Terminal	74
AQ6, Monitor	19	S1010A, monitor	69	2393A, Terminal	74, 113
AQ7, Monitor	19	S2295A, Expander	128	2394A, Terminal	74
AQ8, CRX-24	19	S2323A, 8mm	61	2397A, Terminal	74, 113
AQ9, CRX-24Z	19	S2375A, Hard Disk	29	24540B, Ser/Par	133
AR0, Kanji	80	S2399A, Expander	129, 133	24541B, Ser/Par	133
ATA, Hard Disk	19	S5444A, Array	37	24550A, Modem	133
ATB, Floppy	19	S5732A, Array	37	24551A/B, Modem	133
ATK, Hard Disk	19	S5733A, Array	37	25523A, SCSI	133
ATM, Hard Disk	19	T		25525A, SCSI	133
AT6, Hard Disk	19	TC-15, QIC i/f	133	25525A/B, SCSI	127

Products by HP CPL/PPL Product/Part Ordering Number

25525B, SCSI	133	28696A, SCSI	140	46298A, Rack	148
25560A, HP-IB .25, 40, 52, 131, 133, 137, 145		28699A, Hub	121	4985A, LanProbe	122
25567A, LAN	120, 134	2932A, Printer	98, 113	4986A, LanProbe	122
25567B, LAN	120, 134	2933A, Printer	98, 113	4991A, LanProbe	122
25578120001, Printer	98	2934A, Printer	98, 113	4992A, LanProbe	122
25578140001, Printer	98	30241A, MAU	122	4995A, LanProbe	122
2562C, Printer	98, 113	32066A, Modem	121	4996A, LanProbe	122
2563C, Printer	98, 113	32068A, Modem	121	50759A, Modem	122
2564C, Printer	98, 113	33439P, PostScript	98, 113	7060A, Tablet	83, 114
2565A, Printer	98, 113	33439Q, PostScript	98, 113	7090A, Plotter	114
2566C, Printer	98, 113	33440A, LaserJet	98, 113	7440A, ColorPro	114
2567C, Printer	98, 113	33447A, LaserJet	98, 113	7440B, ColorPro	114
2603A, Printer	98	33449A, LaserJet	98, 114	7475A, Plotter	114
26075A, Switch	147	33459A, LaserJet	99, 114	7475B, Plotter	114
2623A, Terminal	74	33471A, LaserJet	99, 114	7550A, Plotter	114
2684, LaserJet	98, 113	33481A, LaserJet	99, 114	7550B, Plotter	115
2686A, LaserJet	98, 113	33491A, LaserJet	99, 114	7570A, DraftPro	115
2686D, LaserJet	98, 113	33494B/C, PostScript	99	7575A, DraftPro	115
2691A, Terminal	74	35401A, HCD-75	61	7576A, DraftPro	115
2717x, Hubs	121	35450A, DDS	61, 62	7580A/B, Plotter	115
27209A, HP-IB	134	35470A, DDS	61, 62	7585, Plotter	115
27210, LAN	134	35480A, DDS	61, 62	7586B, Plotter	115
27236A, StarLAN	134	35723A, Touch	82, 114	7595A, DraftMaster	115
27245A/B, LAN	134	3630A, PaintJet	99, 114	7595B/C, DraftMaster	115
27247A/B, LAN	134	36960A, X.25	140	7596A, DraftMaster	115
27248A, LAN	134	36967A, LAN	140	7596B/C, DraftMaster	115
27250A, LAN	134	37201A, Extender	147	7599A/B, DraftMaster	115
27251A, SCSI	140	37204A, Extender	147	78360B, SDN	134
27252A, LAN	134	37212A, Modem	122	7907A, Hard Disk	37
2727x, Router	121	37212B, Modem	122	7908P, Hard Disk	38
27285A, Router	121	39301A, Repeater	122	7911P/R, Hard Disk	38
27286A, Router	121	40299A/B, Mux	140	7912P/R, Hard Disk	38
27287A, Router	121	41063A/B, Printer	99, 114	7914CT, Disk/Tape	38
27288A, Router	121	45850, PC	74, 114	7914P/R, Hard Disk	38
27289A/B, Router	121	45911A/C, Tablet	82, 114	7914R, Hard Disk	38
27290A, Router	121	46021A, Keyboard	82	7914ST, Disk/Tape	38
286-051-050, Keyboard	82	46021B#ARO, Keyboard	83	7914TD, Disk/Tape	38
28615A, HP-FL	140	46021B, Keyboard	79, 82	7933H, Hard Disk	38
28616A, HP-FL	140	46060A, Mouse	82, 114	7933XP, Hard Disk	38
28641A/B, MAU	121	46060B, Mouse	79, 82, 114	7935H, Hard Disk	38
28642A, SCSI	140	46080A, Extension	82	7935XP, Hard Disk	38
28643A, Extender	147	46081A, Extension	82	7936H, Hard Disk	38
28645A, Repeater	121	46082A, Extension	82	7936XP, Hard Disk	38
28647A/B, Bridge	121	46082B, Extension	82	7937H, Hard Disk	38
28648B, Bridge	121	46083A, Dial	82	7937XP, Hard Disk	38
28649A, Bridge	121	46083A, Knob	114	7941/45A, Hard Disk	38
28655A, SCSI	140, 190	46084A, ID Module	75, 82	7941A, Hard Disk	38
28663A, Hub	121	46085A, Dials	114	7942A, Disk/Tape	38
28664A, MAU	121	46085A, Knobs	82	7946A, Disk/Tape	38
28673A, Bridge	121	46086A, Buttons	82, 114	7957A/B, Hard Disk	38
28674A/B, Bridge	121	46087, Tablet	82, 114	7957S, Hard Disk	38
28681A, Bridge	121	46087A/B, Tablet	82	7958A/B, Hard Disk	38
28682A, Hub	121	46087C, Tablet	114	7958S, Hard Disk	38
28683A, MAU	121	46088, Tablet	82, 114	7959B, Hard Disk	38
28684A/B, Hub	121	46088C, Tablet	114	7959S, Hard Disk	38
28685A/B, MAU	121	46090C, Tablet	82, 114	7962B, Hard Disk	38
28688A/B, Hub	121	46091, Tablet	82	7963B, Hard Disk	38
28691A, Hub	121	46091C, Tablet	114	7970E, 9-Track	61
28692A, Hub	121	46094A, Adaptor	82, 114, 116	7971A, 9-Track	38, 61
		46095A, Mouse	83, 114	7974A, 9-Track	38, 61

Products by HP CPL/PPL Product/Part Ordering Number

7978A/B, 9-Track.....	61	9666A, Terminal.....	115
7979, 9-Track	52	97650, Hard Disk.....	29
7979A, 9-Track	61	97902B, Hard Disk.....	38
7979S, 9-Track.....	61	97903B, Hard Disk.....	38
7980, 9-Track	52	97962B, Hard Disk.....	38
7980A, 9-Track	61	97963B, Hard Disk.....	38
7980S, 9-Track.....	61	98016A, Adaptor	81, 83
7980SX, 9-Track	61	98203C, Keyboard.....	83
7980XC, 9-Track.....	61	98229x, RAM	24
8120-6861, Adaptor	71	98433D, Hard Disk.....	29
8120-6863, Adaptor	71	98556A, CHX	144
82169A, Converter	147	98705A, PVRX-P2.....	66, 115
82300, BLP	134	98705B, PVRX-P3.....	66, 115
82306A, GPIO	134	98705C, PVRX-P1.....	66, 115
82324A, BLP	134	98705P, PVRX-P3.....	66
82328A, IGC.....	134	98720A, SRX.....	66, 115
82335A/B, HP-IB.....	134	98730A, TurboSRX	66, 115
82335B, HP-IB	25	98735A, TVRX-T1.....	66, 115
82340A/B, HP-IB.....	134	98736A, TVRX-T2.....	66, 115
82341A/B, HP-IB.....	134	98736B, TVRX-T3.....	67, 115
82341C, HP-IB	134	98751A, Monitor.....	71
82355B, HP-IB	52	98752A, Monitor.....	71
82906A, Printer.....	99	98753A, Monitor.....	71
83450A, PCI HP-IB	143	98754A, Monitor.....	71
88141A, JetScript	134	98757A, PVRX Upgrade	67, 115
88295A, ScanJet i/f.....	134	9876A, Printer	99
88500A/B, HP-IB.....	134	98765A, TVRX-T2.....	67, 115
88703-707x, 9-Track.....	52	98766A, TVRX-T4.....	67, 116
88780x, 9-Track.....	61	98767A, TVRX Upgrade	67, 116
9122C, Floppy.....	41	98768A, CRX.....	144
9122D, Floppy	41	98768A, CRX Upgrade.....	67, 116
9122S, Floppy	38	98774A/B, Monitor.....	71
9125S, Floppy.....	41	98778A, Monitor.....	71
9127A, Floppy.....	41	98785A, Monitor.....	71
9133D/H/L, Hard Disk.....	38	98786A, Monitor.....	71
9134D/H/L, Hard Disk.....	38	98788A, Monitor.....	71
9144A, HCD-75	61	98789A, Monitor.....	71
9144A, 16-Track	38		
9145A, XTD-134.....	61		
9153A/B, Hard Disk	38		
9153C/M, Hard Disk.....	38		
9154A/B, Hard Disk	38		
9190A, ScanJet	115		
9195A, ScanJet	115		
92178S, Switch	122, 147		
92203A, Modem.....	122		
92203J/K, Converter	147		
92203MB/RB, ACC	140		
92205A/C, Modem	122		
92205B, Modem.....	122		
92205E, Switch.....	147		
92205F, Switch	147		
92205Y, Switch	147		
9262B, Hard Disk	38		
9263B, Hard Disk	38		
92915A, Barcode	83		
92916A, Barcode	83		
92917A, Barcode	83		
93302PD, Datakit	140		
94181A, RTI	140		

Topical Index

- A**
- Access Port 76
 - Adaptec 142
 - adaptors 147
 - AEON Communications 148
 - alignment 99
 - AMASS 51
 - American Power Conversion 148
 - AMIGO 25, 131, 137, 145
 - APC 148, 150
 - APCL 85
 - Apollo Token Ring 117, 131, 134
 - AppleTalk 85
 - ATM 118, 119, 120, 133, 138, 139, 142
 - 622 138
 - ATM 622 142
 - ATR 131, 134
 - audio ports 77
 - autoch 47
 - A4715A, PCI ATM 142
- B**
- Back Panels 153
 - barcode 82, 83
 - Base Station Controller 15
 - beep 77
 - Bit Pad Two 116
 - Bi-Tronic 85
 - Bit3 129, 135, 143
 - Black Box 83, 148
 - blank 151
 - BNC 68
 - bridge 123, 129
 - button box 81
 - button boxes 75
 - buttons 82, 83
- C**
- cabinets 148
 - cable length 127
 - cable modem 120, 123
 - cadplt2 101
 - camera 113
 - capture(1) 101
 - Card Cages 128
 - cartridge tape 52
 - CD File Systems 42
 - CD Studio 42
 - CD-DA 42
 - CDDI 135
 - CD-E 43
 - CDi 42
 - CDR 42
 - CD-ROM 42
 - CD-ROM Server 45
 - CD-ROM Tower 44
 - CD-ROM XA 42
 - CD-RW 42, 43
 - CD-WORM 42
 - Central Data 123, 146
 - Centronics 85, 147
 - CGM 101
 - CIPER 85, 101, 131, 137, 145
 - Cisco 135
 - Cluster Adaptor 147
 - cluster nodes 78
 - codec 77
 - Codex 118, 121, 122
 - console 63, 72
 - console switch 82, 83
 - Converter, Ser/Par 147
 - converters 147
 - co-processor 134
 - CPO 151
 - Crystal Semi 77
 - CS/80 25, 52, 134
 - CS4215 77, 78
 - C3082A, LaserJet 90
- D**
- DC600HC 52
 - degree 151
 - Deltec 150
 - DeskJet Status Monitor 99
 - Deskside 10
 - Desktop 10
 - desktop video conferencing 80
 - Device I/O Library 137
 - dial box 81
 - dial boxes 75
 - Dialogic 133
 - dials 82
 - differential 127
 - digital audio extraction 42
 - digitizers 75, 82
 - DIL 131, 137, 145
 - DIMM 21
 - DIO 63, 185
 - DIO-II 128, 144, 185
 - DIO-System 185
 - discontinued 151
 - Disk Array, booting 39
 - Disk Memory Division 25
 - display 68
 - display monitors 68
 - DLT 53
 - DOMAIN 79
 - doscp 40
 - DRAM 21
 - DSU/CSU 118
 - Dsub15 68
 - DUX 9
 - DVC 80
- E**
- ECP 85
 - EIA 148
 - EIO, Enhanced I/O 186
 - EISA124, 125, 128, 129, 131, 138, 144, 151, 187
 - EISA Expander 129
 - electret mic 77
 - Elektroson BV 46
 - EMI 152
 - Enhanced I/O (EIO) 186
 - EPP 85
 - Esc-P 85
 - E-SGC 129, 151
 - ESRI 85
 - Essential Communications, CHV 138
 - EtherTwist 117
 - EVC 68
 - Exabyte 52
 - expander 129, 133
 - expander, PCI 143
 - extender 145
 - extenders 147
- F**
- FAT 40
 - FC-AL 25
 - FDD 25, 40
 - FDDI 78, 117, 118, 123, 129, 131, 132, 135, 137, 139, 144
 - Feedback address 5
 - fiber channel 131, 137
 - fiber optic
 - hub 121
 - MAU 121
 - Fibre Channel 25, 137, 145
 - fibre channel 117, 137, 147
 - FibreChannel 142
 - Finance and Remarketing Division ... 151
 - FireWire 151
 - floppy 40
 - Floppy File System 40
 - format 40
 - Frame Relay 142
 - FTZ 152
 - fwdSCSI 151
- G**
- Genicom 99, 116
 - gescape 101
 - GIF 101
 - Gigabit Ethernet 142
 - GIO 124, 128, 129, 137, 151, 198
 - GKS 101
 - glossary 151
 - GPIO 132, 134, 135
 - graphics devices 101
 - graphics video 63
 - GSC.. 63, 124, 125, 128, 129, 137, 151, 168, 172, 187, 188
 - GSC-M124, 128, 129, 137, 151, 177, 189, 191
 - GSC-Mezzanine 175
 - GSC-2x 188
 - GSD78 52
- H**
- Hard Disks
 - External 30
 - Internal 25
 - HASS, Array 30
 - Hayes 122
 - HCD-75 61

Topical Index

headset.....	81	ISDN	118, 131, 132, 146	mouse	79, 82
HFC	145	ISG	152	multi-function	47
HFS	40, 42	ISO 9660.....	42	Multiplexer	142
HIPPI.....	78, 118, 138, 142, 144	Itac.....	116	multiplexer	132, 133, 139, 140, 146
Honeywell	114	ITAC Systems.....	83	multiplexers.....	123
Honeywell quadrature	82	ITE.....	63	MultiTech.....	122
HP Entities	5	J		MXI.....	132
CPO.....	5	JetAdmin.....	101, 152	MXIbus	145
ISG	5	JetDirect	101	N	
LPO	5	JFIF.....	101	ndSCSI.....	152
PCG.....	5	JIS	79	NEC	89
WSY	4	Joliet	42	networking devices.....	117
HP Precision Bus.....	137, 139	JPEG	101	NFS.....	47
HP-APCL	85	Jumbo		NFS Diskless.....	9
HP-FL.....	139, 140, 151	(interface).....	132	NIO	139
HPFS	40	K		NOP	152
HP-GL.....	85	kernel	40	nsSCSI	152
HP-GL/2.....	101	keyboards	75	NTFS.....	40
HP-HIL.....	75, 79, 131	knob.....	82	O	
HP-HIL extensions.....	82	knobs	75, 83	OC12	138
HP-IB25, 40, 52, 85, 101, 118, 130, 131, 132, 133, 134, 143, 145, 146, 147, 151		KS/KSSM	86	OC3.....	118, 119, 133, 138
HP-IB extenders	147	L		OEM.....	25
HP-IL	147	LAN.....	117	Okidata	97
HP-ITF.....	79	LIF	40, 42	Options. See also Product index.	18
HP-NIO.....	139	lifcp.....	40	OS/2	40
HP-PB.....	124, 128, 129, 137, 139, 190	line driver.....	147	P	
HP-PCL.....	85	local kit	79	packbits	101
HP-PPA.....	85	localization.....	79	page description languages	85
HP-RT.....	9, 174, 175, 177	LocalTalk	85	Parallax.....	135
HP-RTL.....	86, 101	M		parallel.....	131, 134
hpterm.....	72	Mac	40	PA-7000.....	6
HS	124	MacIntosh	86	PA-7100.....	6
HSC 124, 125, 128, 129, 137, 151, 188, 191		MAE	40	PA-7100LC	6
human interface devices.....	75, 79	magnetic tape.....	52	PA-7150.....	6
human interface ports	75	Magneto-Optic.....	47	PA-7200.....	6
HyperFabric	117, 138, 142	mainfram.....	128	PA-7250.....	6
I		managed.....	117	PA-7300LC	6
I/O		Marconi.....	116	PA-8000.....	6
adaptors	128	Mass Storage	153	PA-8200.....	6
cages	128	MDL Corp.....	129, 135	PA-8500.....	6
expanders	128	MDP	76	PC Video Conversion	67
slots	128	media options.....	52	PCD	42
I/O Cards	185	mediainit	40	PCG	152
I/O Connections.....	153	Mentalix (ISV).....	116	PCI.....	125, 128, 129, 194
I/O Slots	153	Merlin Gerin	149	PCI (EIO).....	186
Icon West	135	Mezzanine	188	PCIB	124
ID Module.....	75, 82	mezzanine	137	PCL.....	85, 101
IEEE-1014.....	196	MF. See multi-function		pcltrans(1)	101
IEEE-1284.....	85, 101, 151	mice	75	PCMCIA	128, 129, 138
IEEE-1394.....	142, 145, 151	Microsoft Natural	82	PC-101.....	79
IEEE-488	151	Micro15.....	68	PDL.....	85
Intel.....	142	MIO	85, 193	pfs.....	42
interfaces.....	124	MITF-5	81, 83	phantom power.....	77
Interphase	123, 135	M-Module	145	PHIGS	101
IR (Infra Red).....	85	MO. See magneto-optic		PhotoCD	42
ISA	129, 131, 151, 187, 192	Model	6	Pixel!FX (application).....	116
ISA Slot	166	modem	118, 122, 133, 135	planned	152
		modem, cable.....	120	PMC	128, 141
		Modular Industrial Computers	75, 83	PostScript	86
		mount.....	40	power.....	147

Topical Index

power management	149	uwdSCSI	127	terminal servers	123
power supply	149	uwsSCSI	127	terminals	72
PPA	85, 100	xxSCSI	127	term0	72
Printer/Scanner/Copier	96	SCSI	127	Test & Measurement Systems. See TAMS	
printers	85	SCSI Extender	147	text printers	85
printers, large format	86	SCSI ID	47	Texture Map	66, 103, 146
printers, SCSI	85	SCSI LUN	47	texture memory	19, 65, 102, 103
PrintGear	86	SDF	40	ThinLAN	117
Processor Technologies	6	sdhcp	40	TIFF	101
PS/2	72, 75	SDN	134	Token Ring	142
PSB 2160-N	77	SEJUS	29	touch	114
PSI	133, 139	Series	4	touch bezel	82
Q		200	4	trackball	82, 83
QIC-1050	52	300	4	trackballs	75
QIC-24	52	400	4	TransERA	135
QIC-525	52	500	4	TSI	124, 137
quadrature	82, 114, 116	6100	44	TSIO	129, 164, 198
qualified	152	700	4	U	
Qualix	135	700rt	4	U.S.Robotics	123
Quantum	61	900	4	Ultra	127
Quantum, Tape	62	Server	10	UltraSCSI	141
QuickDraw	86	SGC.. 63, 124, 128, 129, 144, 152, 167, 170, 180, 185, 195		Universal	141, 194
R		SGC-E	144	Universal Serial Bus	152
Rackable	10	SGC-EISA	187	unsupported	152
racks	147, 148	SharedPrint	101	Upgrade	16
RAM Slots	153	Shinko	116	UPS	148, 149, 150
RasterOps	133	SICL	131, 145, 152	USB	152
RedBook	42	SIMM	21	uwsSCSI	152
remarketed	151	single-ended	127	V	
Reseller Support	4	SMD-10	75, 79	VDE	152
resolution	68	SMP	9, 135	VFAT	40
RFI	152	SNMP	149	video	19
Rights	2	SoftPC	40	Video Export	66, 146
RockRidge	42	SpaceBall	75	video export	137, 146
Romeo	42	SS/80	25, 40	video export/import	135
Rose Electronics	83, 148	ssrfc	47	VideoCD	42
router	123	Standard Instrument Control Library	145	Vividata (ISV)	116
RS-232C	72	Starbase	101	VME124, 126, 129, 135, 137, 145, 174, 175, 180, 181, 196	
RS-423	139	Storage Tek	62	VMEbus	128
RTL	86	Storage Trays	153	vt100	72
S		StorageTek	61	VXI. 124, 126, 128, 129, 145, 176, 197	
SBE	135	STS-3	133	VXIbus	145
scan rate	68	Summagraphics	83, 116	W	
scanner	112	support life	151	WABI	40
ScanShop (application)	116	Supported	4	WAN	117
SCPI	152	supported	152	Web Console	74
screenpr(1)	101	SureStore		wide	127
SCSI 25, 131, 133, 135, 140, 147, 148, 152		300st	48	Windows NT	40
Converter	147	600fx	48	Windows 95	40, 42
fnDSCSI	127	switch	147, 148	wyse30	72
fnSSCSI	127	switches	147, 147	X	
fnWSCSI	127	Symmetrix	37	X.25 117, 118, 119, 120, 130, 132, 133, 135, 139, 140, 142	
fwsSCSI	127	sync-on-green	68	XBM	101
lvdSCSI	127	T		XIO	85, 198
mcSCSI	127	T.B.D.	152	X-Terminals	72, 106, 107
ndSCSI	127	tablet	81, 82, 83, 114	XWD	101
nsSCSI	127	tablets	75, 82	Y	
UltraSCSI	127	TAMS	130, 143	Young Minds, Inc.	46
unsSCSI	127	Telebit	123		

Topical Index

Z

ZIP41

Numerics

10BaseT 117

10Base2 117

100BaseT. 117, 131, 135, 138, 139, 142

100BaseTX 139

100VG119, 131, 133, 139

1000Base-SX 142

1000BaseSX 138

13W368

3COM 142

32-bit HP-UX 75, 151

64-bit HP-UX 75, 79, 151

8mm53

802.5 117, 132, 139